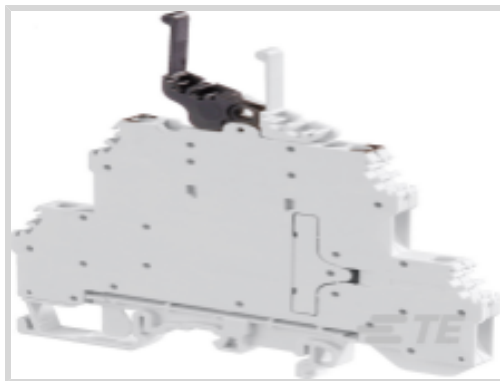


1SNA199448R0100 ✓ ACTIVE

TE Internal #: 1SNA199448R0100

TE Internal Description: M4/6.D2.2S2.T

[View on TE.com >](#)



Product Compliance

[For compliance documentation, visit the product page on TE.com>](#)

EU RoHS Directive 2011/65/EU	Compliant
EU ELV Directive 2000/53/EC	Compliant
China RoHS 2 Directive MIIT Order No 32, 2016	No Restricted Materials Above Threshold
EU REACH Regulation (EC) No. 1907/2006	Current ECHA Candidate List: JUNE 2022 (224) Candidate List Declared Against: JUNE 2022 (224) Does not contain REACH SVHC
Halogen Content	Low Halogen - Br, Cl, F, I < 900 ppm per homogenous material. Also BFR/CFR/PVC Free
Solder Process Capability	Not reviewed for solder process capability

Product Compliance Disclaimer

This information is provided based on reasonable inquiry of our suppliers and represents our current actual knowledge based on the information they provided. This information is subject to change. The part numbers that TE has identified as EU RoHS compliant have a maximum concentration of 0.1% by weight in homogenous materials for lead, hexavalent chromium, mercury, PBB, PBDE, DBP, BBP, DEHP, DIBP, and 0.01% for cadmium, or qualify for an exemption to these limits as defined in the Annexes of Directive 2011/65/EU (RoHS2). Finished electrical and electronic equipment products will be CE marked as required by Directive 2011/65/EU. Components may not be CE marked. Additionally, the part numbers that TE has identified as EU ELV compliant have a maximum concentration of 0.1% by weight in homogenous materials for lead, hexavalent chromium, and mercury, and 0.01% for cadmium, or qualify for an exemption to these limits as defined in the Annexes of Directive 2000/53/EC (ELV). Regarding the REACH Regulation, the information TE provides on SVHC in articles for this part number is based on the latest European Chemicals Agency (ECHA) 'Guidance on requirements for substances in articles' posted at this URL: <https://echa.europa.eu/guidance-documents/guidance-on-reach>

Compatible Parts



TE Part # 1SNA113546R1400
PC6-2



TE Part # 1SNA113548R2600
PC6-10




TE Part # 1SNA116536R0500
PC6-3




TE Part # 1SNA116537R0600
PC6-4



TE Part # 1SNA233000R0100
RC610




TE Part # 1SNA007865R2600
FC2




TE Part # 1SNA113550R2400
EIP



TE Part # 1SNA114205R2000
AD2.5



TE Part # 1SNA116900R2700
BADH



TE Part # 1SNA178408R1400
CBD2S

Customers Also Bought



TE Part # 1SNK505911R0000
ES6-4S



TE Part # CV21424001
RW-175-E-1/8-X-SP



TE Part # 1SNA115657R2500
M4/8.SF



TE Part # 1SNA115686R1300
M4/6.SNB




TE Part # 1SNK506316R0000
ZS6-S-4S-T2



TE Part # 1SNK908902R0000
JB8-2-R1



TE Part # 1SNK908903R0000
JB8-3-R1



TE Part # 1SNA116576R1500
FEM3A



Documents

Datasheets & Catalog Pages

[M4/6.D2.2S2.T](#)

English

[ENTRELEC Terminal Block - Master Catalog](#)

English

[ENTRELEC Terminal Blocks Catalogue \(RUS\)](#)