

EQUERRE 135°
135 ° ANGLE

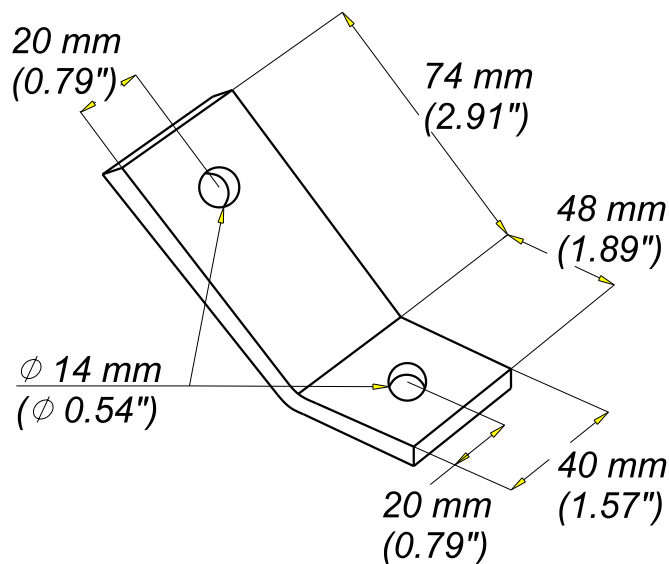
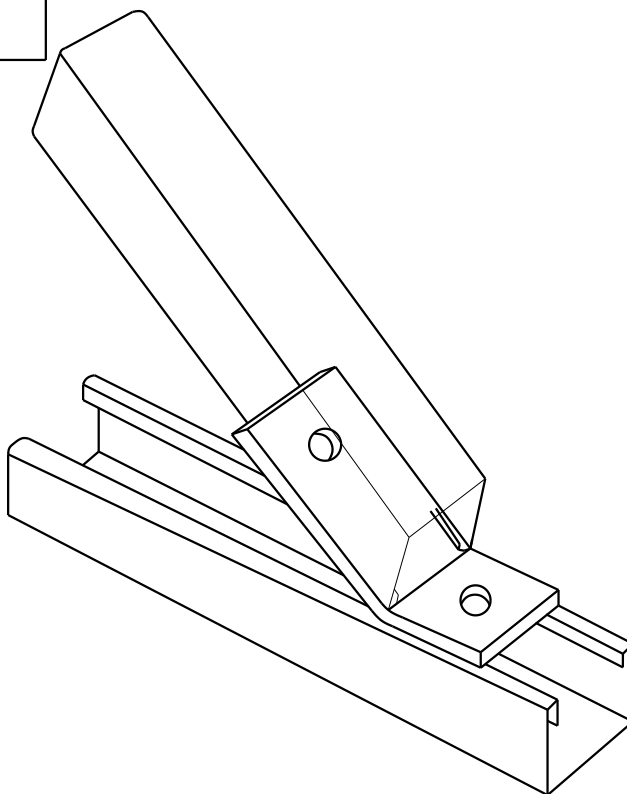
INOX 316L



CABLE
 MANAGEMENT

FT0244-4

02 16



Material	Standard
X2 CrNiMo 17-12-2	EN 10088-2

EPAISSEUR / THICKNESS
6 / (0.24")

REF	CODE	POIDS (Kg)	WEIGHT (lb)
EQ135	595 234	0.250	0.552