

SUPPORT DE BORNE SBU
 TERMINAL SUPPORT SBU

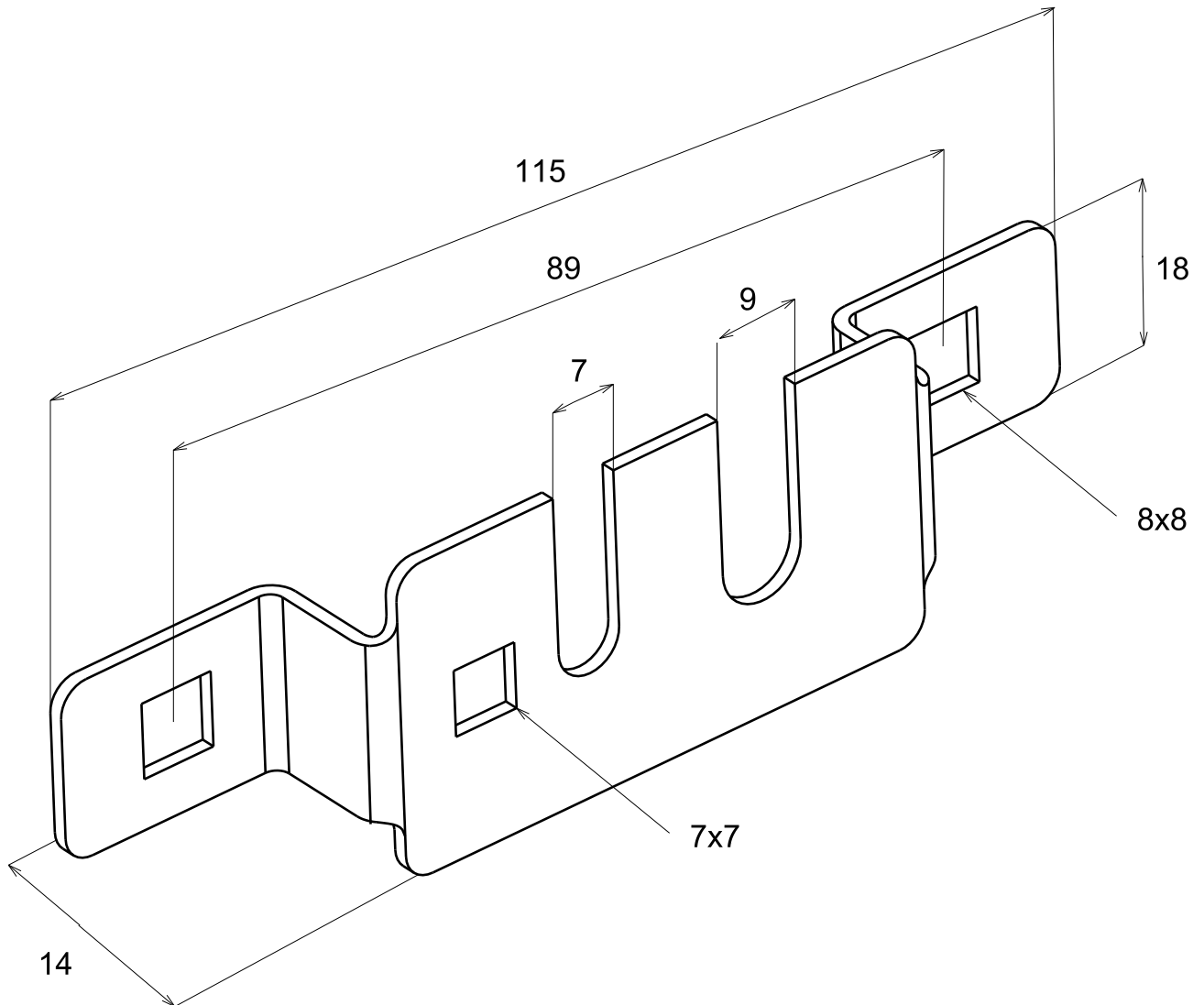
GS
 PG



CABLE
 MANAGEMENT

FT 0161-0

03 / 16



REF	CODE	POIDS / WEIGHT	
		(Kg)	(lb)
SBU	585 090	0.037	0.082

EPAISSEUR / THICKNESS 1.5 / 0.06"	NORME / STANDARD
MATIERE / MATERIAL DX51 D Z275 MAC	EN 10346
PROTECTION / COATING GS / PG	