



Product designation

Mushroom head
pushbutton,
spring return Ø
60mm/2.36"
LPCB616

Product type designation

General characteristics

Colour	Black
Type of positions	Mushroom head pushbutton
Material	Polyamide
IEC degree of protection	IP66, IP67 and IP69K

Mechanical features

Operating force	kg-lb	<0.5Kg / 1.1lb
Mechanical life - spring return actuators	cycles	5000000
Mounting adapter		LPXAU120
Weight	g	38

UL technical data

UL degree of protection	Type1, 2, 3R, 4, 4X, 12, 12K
-------------------------	---------------------------------

Ambient conditions

Temperature

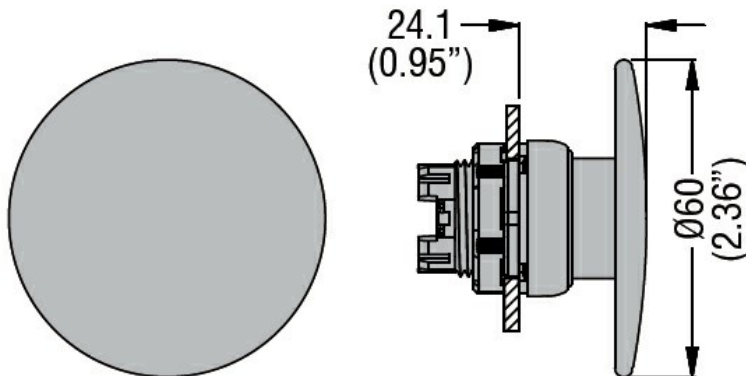
Operating temperature

min	°C	-25
max	°C	+70

Storage temperature

min	°C	-40
max	°C	+85

Dimensions



Certifications and compliance

Compliance

CSA C22.2 n° 14
IEC/EN/BS 60947-1
IEC/EN/BS 60947-5-1

UL508

Certificates

CCC

cULus

EAC

RINA

ETIM classification

ETIM 8.0

EC001038 -
Front element for
mushroom push-
button