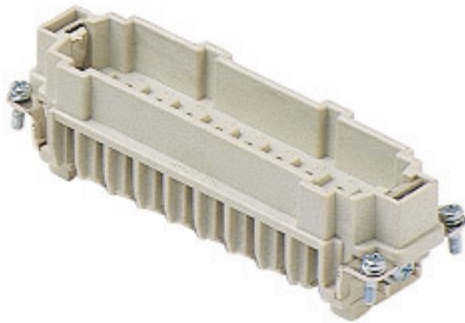



Part number

CMCEM 16



Male insert, CMCE series, crimp connection,
16 + 2 poles + PE, 16 A 400/690 V 6 kV 3 / 16
A 500 V 6 kV 3, size "104.27"

| Product description | | Material properties | |
|---|--|-------------------------------------|------------------------|
| Product type | Insert | Main material | Polycarbonate (PC) |
| Series | CMCE | Colour | RAL 7032 grey |
| Connection type | Crimp connection | RoHS conformity | Compliant |
| Gender | Male | China RoHS - EFUP | E |
| N. of poles | 16 poles +  | REACH SVHC substances | No |
| Auxiliary poles | 2 poles | Approvals / Standards | |
| Size | Size 104.27 | Reference standard | EN 61984:2009-06 |
| Technical data | | Certifications | CSA, CQC, DNV, BV, EAC |
| Current | 16 A | UL | ECBT2 |
| Voltage | 400 - 690 V | General ordering information | |
| Rated impulse withstand voltage | 6 kV | EAN13 code | 8015747136150 |
| Pollution degree | 3 | ETIM 7.0 | EC000438 |
| Rated voltage according to UL/CSA | 600 V | Packaging Information | |
| IP degree of protection | IP20 without enclosure, IP65/IP66 with enclosure | Packaging length | 270,00 mm |
| Further technical details | | Packaging height | 75,00 mm |
| Characteristics according to EN 61984 | 16A 830V 8kV 3 (aux: 16A 500V 6kV 3); 16A 1000V 8kV 2 (power contacts only) | Packaging width | 180,00 mm |
| Mating cycles | ≥ 500 | Packaging weight | 2,37 kg |
| Insulation resistance | ≥ 10 GΩ | Packaging volume | 3,65 dm ³ |
| Contact resistance | ≤ 1 mΩ | Packaging description | Carton box |
| Weight | 67,00 g | Packaging quantity | 30 Pcs |
| Operating temperature range (min, max) | -40 °C ... +125 °C | Packaging EAN code | 8015747136297 |
| UL 94 flammability rating | V-0 | Sub-packaging length | 113,00 mm |
| | | Sub-packaging height | 36,00 mm |
| | | Sub-packaging width | 180,00 mm |
| | | Sub-packaging weight | 0,40 kg |
| | | Sub-packaging volume | 0,73 dm ³ |
| | | Sub-packaging description | Carton tray |
| | | Sub-packaging quantity | 5 Pcs |
| | | Sub-packaging EAN barcode | 8015747136303 |

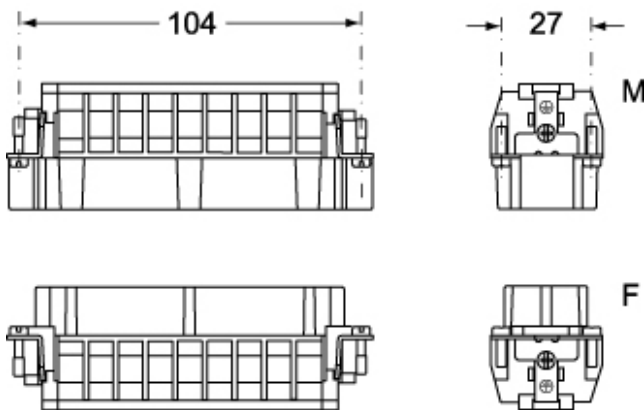
Part number

CMCEM 16

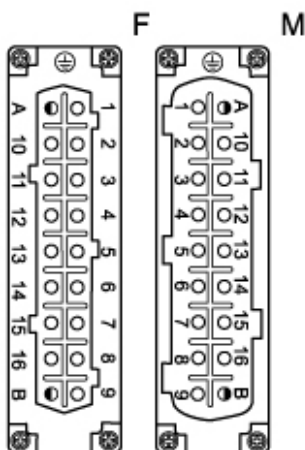


Catalogue drawings

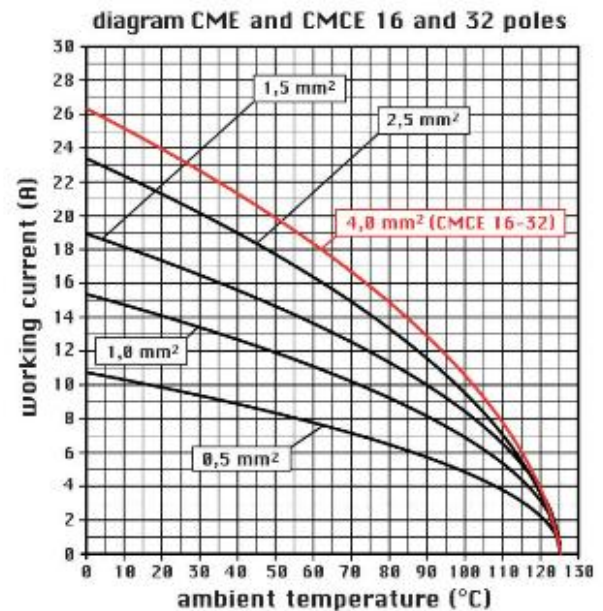
CMCEM 16



CMCEF 16



Catalogue drawings



Notes

CMCEF/M 16 inserts

- the auxiliary contacts are the same as power contacts: early opening is obtained by drawing back the seats
- characteristics according to EN 61984:
 - 16A 400/690V 6kV 3
 - 16A 1000V 8kV 2
 - 16A 720/1250V 8kV 2
- auxiliary contacts: 16A 500V 6kV 3
- rated voltage according to UL/CSA: 600V
- insulation resistance: > 10 GOhm
- ambient temperature limit: -40 °C ... +125 °C
- are made of self-extinguishing thermoplastic resin UL 94 V0
- mechanical life: > 500 cycles
- contact resistance: < 1 mOhm

- enclosures: size 104.27:
- T-TYPE IP65 insulating
- W-TYPE aggressive environments
- insulated 830V
- panel support: COB

Dimensions shown in mm are not binding and may be changed without notice.

California Proposition 65 Information



WARNING

This product can expose you to nickel compounds, known to the State of California to cause cancer and/or reproductive toxicity. For more information go to www.P65Warnings.ca.gov.
