

Part number

CKAG 03 V



Hood, CKA series, with 2 pegs, Pg11 top cable entry, size "21.21", with gasket

Product description		Material properties	
Product type	Hood	Main material	Zinc die-cast
Series	CKA	Other materials	Gasket: TPE
Closing type	With 2 pegs	Colour	RAL 7040 grey
Size	Size "21.21"	RoHs conformity	Compliant
Cable entry	Top cable entry Pg11	China RoHs - EFUP	E
Specification	With gasket	REACH SVHC substances	No
Technical data		Approvals / Standards	
IP degree of protection	IP65	UL	ECBT2
		cUL	ECBT8
Further technical details		General ordering information	
Weight	63,60 g	EAN13 code	8015747115001
Operating temperature range (min, max)	-40°C...+125°C	Packaging Information	
		Packaging length	330,00 mm
		Packaging height	230,00 mm
		Packaging width	205,00 mm
		Packaging weight	7,06 kg
		Packaging volume	15,56 dm ³
		Packaging description	Carton box
		Packaging quantity	100 Pcs
		Packaging EAN code	8015747115049
		Sub-packaging length	185,00 mm
		Sub-packaging height	40,00 mm
		Sub-packaging width	155,00 mm
		Sub-packaging weight	0,71 kg
		Sub-packaging volume	1,15 dm ³
		Sub-packaging description	Carton box
		Sub-packaging quantity	10 Pcs
		Sub-packaging EAN barcode	8015747115032

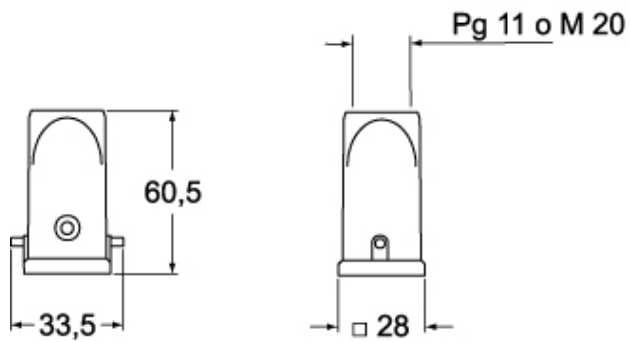
Part number

CKAG 03 V

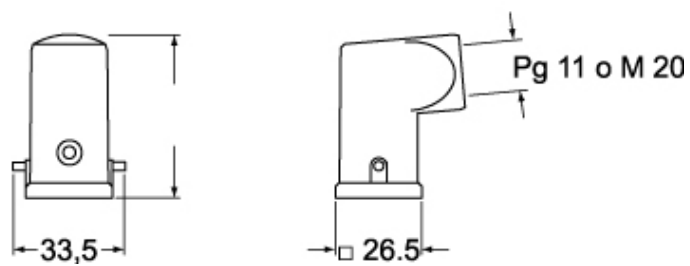


Catalogue drawings

CKAG V MKAG V



CKAG VA MKAG VA



Notes

Dimensions shown in mm are not binding and may be changed without notice.