

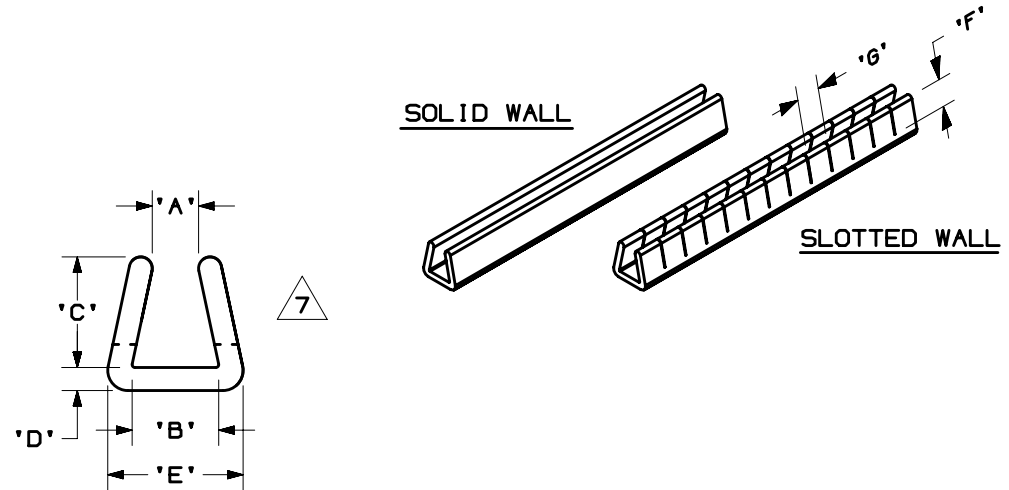
THIS COPY IS PROVIDED ON A RESTRICTED BASIS AND IS NOT TO BE USED IN ANY WAY DETRIMENTAL TO THE INTERESTS OF PANDUIT CORP.

PANDUIT PART NUMBER **	PANEL THICKNESS	A ±TOL.	B ±0.015 (0.38)	C ±0.015 (0.38)	D +0.020 (0.51) -0.015 (0.38)	E REF.	F * ±TOL.	G * REF
GE_36F-C	0.026 - 0.036 (0.66 - 0.91)	0.025 ±0.010 (0.64 ±0.25)	0.045 (1.14)	0.087 (2.21)	0.030 (0.76)	0.106 (2.69)	0.060 +0.005 (0.13) (1.52) -0.025 (0.64)	0.150 (3.81)
GE_62F-C	0.036 - 0.062 (0.91 - 1.57)	0.035 ±0.013 (0.89 ±0.33)	0.070 (1.78)	0.130 (3.30)	0.030 (0.76)	0.131 (3.33)	0.105 +0.005 (0.13) (2.67) -0.025 (0.64)	0.150 (3.81)
GE_99F-C	0.062 - 0.099 (1.57 - 2.51)	0.054 ±0.013 (1.37 ±0.33)	0.108 (2.74)	0.155 (3.94)	0.030 (0.76)	0.169 (4.29)	0.125 +0.005 (0.13) (3.18) -0.025 (0.64)	0.150 (3.81)
GE_144F-C	0.099 - 0.144 (2.51 - 3.66)	0.090 ±0.013 (2.29 ±0.33)	0.152 (3.86)	0.192 (4.88)	0.030 (0.76)	0.213 (5.41)	0.160 +0.005 (0.13) (4.06) -0.035 (0.89)	0.150 (3.81)
GE_189F-C	0.144 - 0.189 (3.66 - 4.80)	0.125 ±0.010 (3.20 ±0.25)	0.206 (5.23)	0.255 (6.48)	0.046 (1.17)	0.297 (7.55)	0.240 +0.005 (0.13) (6.09) -0.035 (0.89)	0.150 (3.81)

NOTES:

- * 1) DIM'S F & G APPLY ONLY TO SLOTTED GROMMET EDGING.
- ** 2) PART NO. EXAMPLE:

GE	S	36	F	-	C	0	WEATHER RESISTANT BLACK
							F=POLYETHYLENE
							MAX. PANEL THICKNESS
							S=SOLID
							E=SLOTTED
							GROMMET EDGING
- 3) SEE CURRENT PRICE SHEET FOR PART NO. SUFFIX DESIGNATION FOR PACKAGE SIZE.
- 4) COLOR: a) NATURAL
b) -0 AFTER PART NO. DENOTES WEATHER RESISTANT BLACK
- 5) SLOTTED WALL STYLE IS RECOMMENDED FOR INSIDE EDGE OF PANEL CUT OUTS.
SOLID WALL STYLE IS RECOMMENDED FOR STRAIGHT, OUTSIDE EDGES.
- 6) REELS MAY CONTAIN A MAXIMUM OF THREE SPLICES.
- 7) MAXIMUM USE TEMPERATURE 122° (50° C)



REV	DATE	BY	CHK	APR	DESCRIPTION	ECN
8	6/14/21	JBN	MDS	JADE	ADDED SLOTTED DIM. F & G FOR P/N GE_189F-C, CHANGED P/N TO GE_189F-C, REMOVED NOTE 8	102254
7	6/16/17	RVU	CLW	JHAC	ADD FRONT VIEW WITH ALL A, B, C, D, E, F, AND G DIMENSIONS TO MATCH WITH TABLE.	GAECN04200
6	02/16/15	BDK	MRJS	RGRO	F. ADDED NOTE #7 MAXIMUM TEMPERATURE RATING. G. GES189F-C WAS GE_189F-C AND ADDED NOTE 8.	GB0239FU

ROLL FORM GROMMET EDGING	
CUSTOMER DRAWING	
ITEM REVISION NAME	G03597DM/03
DATASET FILE NAME	G03597DM_DC_GB0239FU_08/03A
UNLESS OTHERWISE SPECIFIED, DIMENSIONAL TOLERANCES ARE: IN (mm)	
.X ±	.XXX ±
.XX ±	ANGLES ±
THIRD ANGLE PROJECTION	
DRAWN BY	CEW
DATE	5-24-85
CHK	
SCALE	NONE
MATERIAL:	
PANDUIT	
SEE NOTE #2	
DRAWING NUMBER:	
GB0239FU	
DRAWN BY	CEW
DATE	5-24-85
CHK	
SCALE	NONE
SHT 1 OF 1	
SIZE	
A	