

Fiche produit

Article n° 02.125.2929.8

contact femelle D 3,6- 1,5 QMM AG



|                   |               |
|-------------------|---------------|
| Article n°        | 02.125.2929.8 |
| EAN               | 4015573681743 |
| Unité de commande | 100 Piece(s)  |

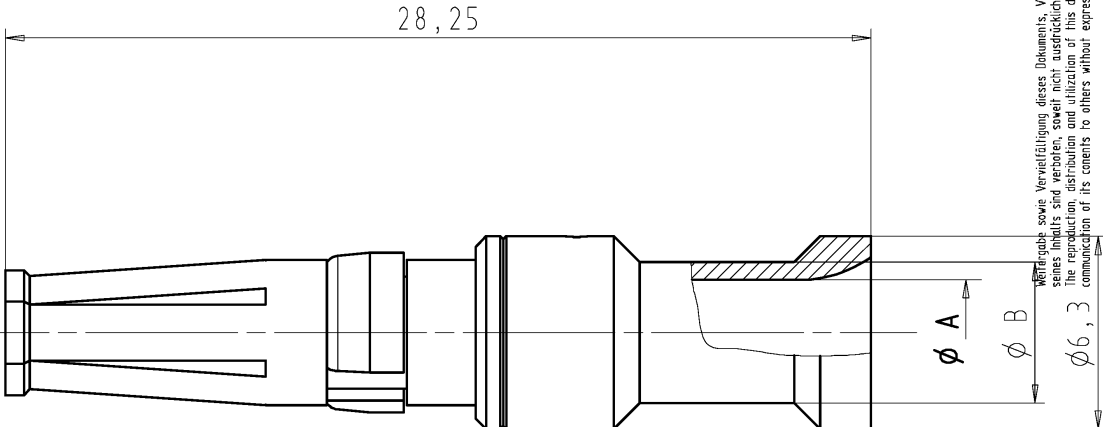
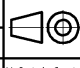
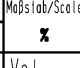

certificats/approbations

Données techniques

**général**

|   |                     |
|---|---------------------|
| Model   | raccordement bus    |
| longueur de fil   | 10 mm               |
| section du conducteur souple Min.                                     | 1,5 mm <sup>2</sup> |
| section du conducteur souple Max.                                     | 1,5 mm <sup>2</sup> |
| diamètre Min. du câble souple UL/CSA                                  | 16 AWG              |
| diamètre Max. du câble souple UL/CSA                                  | 16 AWG              |
| Type de connexion   | Crimp               |
| matériel  | Autre               |
| Contact Massif  | Oui                 |
| Diamètre du contact   | 3,6 mm              |
| Surface   | Plaqué argent       |
| classe d'inflammabilité des matériaux d'isolation selon la norme UL94 | Autre               |
| Résistance de contact   | ≤ 1 mOhm            |

## Dessin technique

|  |  |  |            |   |               |           |                    |     |     |               |           |  |  |  |               |           |                   |      |     |               |           |                   |      |     |               |           |                     |      |      |               |           |                     |      |     |                                  |                              |                                     |            |            |
|--|--|--|------------|---|---------------|-----------|--------------------|-----|-----|---------------|-----------|--|--|--|---------------|-----------|-------------------|------|-----|---------------|-----------|-------------------|------|-----|---------------|-----------|---------------------|------|------|---------------|-----------|---------------------|------|-----|----------------------------------|------------------------------|-------------------------------------|------------|------------|
|  | 2  | 3  |            | A   |               |           |                    |     |     |               |           |  |  |  |               |           |                   |      |     |               |           |                   |      |     |               |           |                     |      |      |               |           |                     |      |     |                                  |                              |                                     |            |            |
| Ausführung / version: 02.125.3229.8  |  |  |            | 1   |               |           |                    |     |     |               |           |  |  |  |               |           |                   |      |     |               |           |                   |      |     |               |           |                     |      |      |               |           |                     |      |     |                                  |                              |                                     |            |            |
| A<br>These dimensions will be especially checked at delivery<br>Only inspection dimensions<br>With /E marked dimensions are only valid for internal use  |  |  |            | 2<br>3<br>4<br>5<br>6<br>7<br>8<br>9<br>10<br>11<br>12<br>13<br>14<br>15<br>16<br>17<br>18<br>19<br>20  |               |           |                    |     |     |               |           |  |  |  |               |           |                   |      |     |               |           |                   |      |     |               |           |                     |      |      |               |           |                     |      |     |                                  |                              |                                     |            |            |
| Weitere Daten siehe Katalog<br>further data see catalog  |  |  |            | 11<br>12<br>13<br>14<br>15<br>16<br>17<br>18<br>19<br>20<br>M1<br>M2<br>M3<br>L<br>G<br>i<br>11.1<br>12.1<br>1.1  |               |           |                    |     |     |               |           |  |  |  |               |           |                   |      |     |               |           |                   |      |     |               |           |                     |      |      |               |           |                     |      |     |                                  |                              |                                     |            |            |
| C<br>Diese Maße werden bei Abnahme besonders geprüft<br>Ausschließlich Prüfmaße<br>Mit /E gekennzeichnete Maße sind nur für interne Zwecke gültig  | D<br>a)  |  |            | M1<br>M2<br>M3<br>L<br>G<br>i<br>11.1<br>12.1<br>1.1  |               |           |                    |     |     |               |           |  |  |  |               |           |                   |      |     |               |           |                   |      |     |               |           |                     |      |      |               |           |                     |      |     |                                  |                              |                                     |            |            |
| <table border="1" style="width:100%; border-collapse: collapse;"> <tr> <td style="width:15%;">02.125.3329.8</td> <td style="width:20%;">Ni 3 Ag 3</td> <td style="width:20%;">10 mm<sup>2</sup></td> <td style="width:10%;">4,4</td> <td style="width:10%;">5,9</td> </tr> <tr> <td>02.125.3229.8</td> <td>Ni 3 Ag 3</td> <td></td> <td></td> <td></td> </tr> <tr> <td>02.125.3229.6</td> <td>Cu 3 Sn 1</td> <td>6 mm<sup>2</sup></td> <td>3,45</td> <td>4,6</td> </tr> <tr> <td>02.125.3129.8</td> <td>Ni 3 Ag 3</td> <td>4 mm<sup>2</sup></td> <td>2,85</td> <td>3,9</td> </tr> <tr> <td>02.125.3029.8</td> <td>Ni 3 Ag 3</td> <td>2,5 mm<sup>2</sup></td> <td>2,25</td> <td>3,45</td> </tr> <tr> <td>02.125.2929.8</td> <td>Ni 3 Ag 3</td> <td>1,5 mm<sup>2</sup></td> <td>1,75</td> <td>3,0</td> </tr> <tr> <td><b>Teile - Nr.</b><br/>part - no.</td> <td><b>Oberfläche</b><br/>surface</td> <td><b>Querschnitt</b><br/>cross section</td> <td><b>∅ A</b></td> <td><b>∅ B</b></td> </tr> </table> |  |  |            |   | 02.125.3329.8 | Ni 3 Ag 3 | 10 mm <sup>2</sup> | 4,4 | 5,9 | 02.125.3229.8 | Ni 3 Ag 3 |  |  |  | 02.125.3229.6 | Cu 3 Sn 1 | 6 mm <sup>2</sup> | 3,45 | 4,6 | 02.125.3129.8 | Ni 3 Ag 3 | 4 mm <sup>2</sup> | 2,85 | 3,9 | 02.125.3029.8 | Ni 3 Ag 3 | 2,5 mm <sup>2</sup> | 2,25 | 3,45 | 02.125.2929.8 | Ni 3 Ag 3 | 1,5 mm <sup>2</sup> | 1,75 | 3,0 | <b>Teile - Nr.</b><br>part - no. | <b>Oberfläche</b><br>surface | <b>Querschnitt</b><br>cross section | <b>∅ A</b> | <b>∅ B</b> |
| 02.125.3329.8  | Ni 3 Ag 3  | 10 mm <sup>2</sup>   | 4,4        | 5,9   |               |           |                    |     |     |               |           |  |  |  |               |           |                   |      |     |               |           |                   |      |     |               |           |                     |      |      |               |           |                     |      |     |                                  |                              |                                     |            |            |
| 02.125.3229.8  | Ni 3 Ag 3  |  |            |   |               |           |                    |     |     |               |           |  |  |  |               |           |                   |      |     |               |           |                   |      |     |               |           |                     |      |      |               |           |                     |      |     |                                  |                              |                                     |            |            |
| 02.125.3229.6  | Cu 3 Sn 1  | 6 mm <sup>2</sup>  | 3,45       | 4,6   |               |           |                    |     |     |               |           |  |  |  |               |           |                   |      |     |               |           |                   |      |     |               |           |                     |      |      |               |           |                     |      |     |                                  |                              |                                     |            |            |
| 02.125.3129.8  | Ni 3 Ag 3  | 4 mm <sup>2</sup>  | 2,85       | 3,9   |               |           |                    |     |     |               |           |  |  |  |               |           |                   |      |     |               |           |                   |      |     |               |           |                     |      |      |               |           |                     |      |     |                                  |                              |                                     |            |            |
| 02.125.3029.8  | Ni 3 Ag 3  | 2,5 mm <sup>2</sup>  | 2,25       | 3,45  |               |           |                    |     |     |               |           |  |  |  |               |           |                   |      |     |               |           |                   |      |     |               |           |                     |      |      |               |           |                     |      |     |                                  |                              |                                     |            |            |
| 02.125.2929.8  | Ni 3 Ag 3  | 1,5 mm <sup>2</sup>  | 1,75       | 3,0   |               |           |                    |     |     |               |           |  |  |  |               |           |                   |      |     |               |           |                   |      |     |               |           |                     |      |      |               |           |                     |      |     |                                  |                              |                                     |            |            |
| <b>Teile - Nr.</b><br>part - no.   | <b>Oberfläche</b><br>surface   | <b>Querschnitt</b><br>cross section  | <b>∅ A</b> | <b>∅ B</b>  |               |           |                    |     |     |               |           |  |  |  |               |           |                   |      |     |               |           |                   |      |     |               |           |                     |      |      |               |           |                     |      |     |                                  |                              |                                     |            |            |
| Tolerierung Size ISO 14405(E)/Tolerance system Size ISO 14405(E).<br>(This ISO-standard describes the envelope principle. According to the envelope principle the deviations of form and parallelism are limited by the size tolerances).  |  |  |            |   |               |           |                    |     |     |               |           |  |  |  |               |           |                   |      |     |               |           |                   |      |     |               |           |                     |      |      |               |           |                     |      |     |                                  |                              |                                     |            |            |
| Freitoleranz nach DIN ISO 2768 - m<br>General tolerance  |  | CAD - Zeichnung, keine manuellen Änderungen<br>CAD - drawing, no manual modifications allowed      |            | ja/yes <input checked="" type="checkbox"/> Stoffverbots- und Deklarationsliste nach WN 5020.010 ist einzuhalten.<br>Conformity with Wieland document WN 5020.010 e (list of prohibited / declarable hazardous substances) to be declared! |               |           |                    |     |     |               |           |  |  |  |               |           |                   |      |     |               |           |                   |      |     |               |           |                     |      |      |               |           |                     |      |     |                                  |                              |                                     |            |            |
| Werkstoff/Material   |  | 2006 Tag/Date Name   |            | Zeichnung Nr./Drawing No.   |               |           |                    |     |     |               |           |  |  |  |               |           |                   |      |     |               |           |                   |      |     |               |           |                     |      |      |               |           |                     |      |     |                                  |                              |                                     |            |            |
| /   |  | gezeichnet<br>drawn 27.10. Treschan  |            | T 02.125.2929.8 01K a   |               |           |                    |     |     |               |           |  |  |  |               |           |                   |      |     |               |           |                   |      |     |               |           |                     |      |      |               |           |                     |      |     |                                  |                              |                                     |            |            |
| / Maßstab/Scale  |  | geprüft<br>checked - -   |            | Maße in mm/Dimensions are in mm   |               |           |                    |     |     |               |           |  |  |  |               |           |                   |      |     |               |           |                   |      |     |               |           |                     |      |      |               |           |                     |      |     |                                  |                              |                                     |            |            |
| /   |  | Normgepr.<br>Stand. check - -  |            |   |               |           |                    |     |     |               |           |  |  |  |               |           |                   |      |     |               |           |                   |      |     |               |           |                     |      |      |               |           |                     |      |     |                                  |                              |                                     |            |            |
| / Vol. mm <sup>3</sup>   |  | OfI./Surf. mm <sup>2</sup>   |            | Ersatz für/Replacement for: -   |               |           |                    |     |     |               |           |  |  |  |               |           |                   |      |     |               |           |                   |      |     |               |           |                     |      |      |               |           |                     |      |     |                                  |                              |                                     |            |            |
| /  |  | Type   |            | Benennung/Title   |               |           |                    |     |     |               |           |  |  |  |               |           |                   |      |     |               |           |                   |      |     |               |           |                     |      |      |               |           |                     |      |     |                                  |                              |                                     |            |            |
| a 30.01.2015/<br>Datum / Blatt<br>Date / Sheet   |  |  <b>wieland</b> |            | <b>BUCHSENKONTAKT_KOMPLETT</b><br>female contact - complete<br>crimp contact for ∅3,6 ; 1,5-10,0 mm <sup>2</sup>  |               |           |                    |     |     |               |           |  |  |  |               |           |                   |      |     |               |           |                   |      |     |               |           |                     |      |      |               |           |                     |      |     |                                  |                              |                                     |            |            |
| Änderung/Revision  |  | www.wieland-electric.com   |            |   |               |           |                    |     |     |               |           |  |  |  |               |           |                   |      |     |               |           |                   |      |     |               |           |                     |      |      |               |           |                     |      |     |                                  |                              |                                     |            |            |
| 021252929801K_2 CADW3028 Treschan  |  | 2015-02-02T12:45:22 1.000  |            | 3 QU-MEE-01/14 -  |               |           |                    |     |     |               |           |  |  |  |               |           |                   |      |     |               |           |                   |      |     |               |           |                     |      |      |               |           |                     |      |     |                                  |                              |                                     |            |            |

