

Part number
CBGF



Insert joining block, for two inserts mating

Product description

Product type Insert joining block
Specification For two inserts mating

Further technical details

Weight 15,00 g

General ordering information

EAN13 code 8015747011150
eCl@ss 8.1 27440201
ETIM 7.0 EC002309

Packaging Information

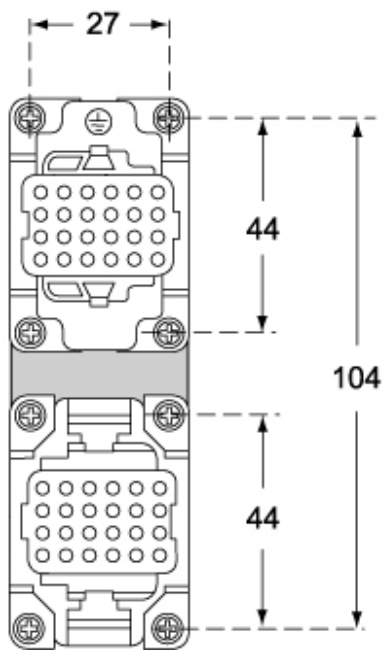
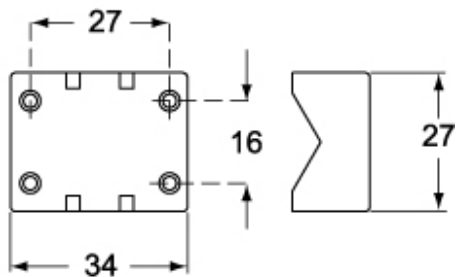
Sub-packaging length 50,00 mm
Sub-packaging height 44,00 mm
Sub-packaging width 50,00 mm
Sub-packaging weight 0,05 kg
Sub-packaging volume 0,11 dm³
Sub-packaging description Plastic box
Sub-packaging quantity 3 Pcs
Sub-packaging EAN barcode 8015747011167

Part number
CBGF



Catalogue drawings

CBGF



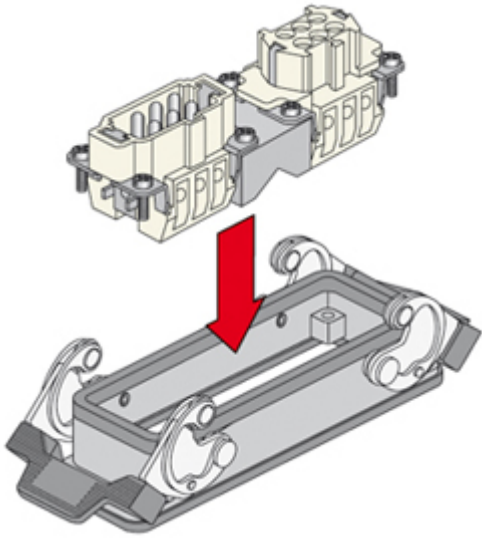
Notes

Dimensions shown in mm are not binding and may be changed without notice.

- Allows mixed type contacts in the same enclosure or mounting (for example, 6 poles 16A CNF + 24 poles 10A CDDF)

CBGF combination block

- Allows two 44.27 size inserts to be inserted in 104.27 size enclosures and on the following COB series items: COB TCQ, COB 24 BC, COB TSF, COB TSFS, COB 24 CMS;
- Allows female contacts and male contacts in the same enclosure or mounting;



- enclosures: size 104.27
 - panel supports: COB
 - inserts with screw fixing centre distance: (2x) 44 x 27 mm
-