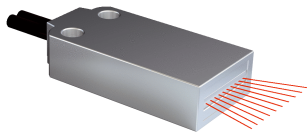


LL3-DZ01

LL3

FIBERS

SICK
Sensor Intelligence.



Ordering information

Type	Part no.
LL3-DZ01	5326013

Included in delivery: FC (1)

Other models and accessories → www.sick.com/LL3

Detailed technical data

Features

Device type	Fibers
Functional principle	Proximity system
For fiber-optic sensor	GLL170(T), WLL180, WLL24 Ex, KTL180, WLL80
Fiber length	2,000 mm
Fiber material	Polymethylmethacrylat (PMMA)
Jacket material	Polyethylen (PE)
Fiber head material	Polycarbonat (PC)
Outer diameter, fiber-optic cable connection	2.2 mm
Fiber-optic cable cuttable	✓
Fiber-optic head design	Flat type, Array
Array width	4 mm
Fiber arrangement	Multi-fiber – linear arrangement
Core structure	S: Ø 1,0 mm R: 16 x Ø 0,265 mm Multi-fiber – linear arrangement
Angle of dispersion < 60°	Yes
Compatibility with infrared light (1,450 nm)	No
Application	Area detection
Highly flexible/elastic fibers (bend radius 1–4 mm)	No
Adapter end sleeves required	No
Angle of dispersion	22.62°
Integrated lens	Yes
Minimal object diameter	0.02 mm ¹⁾
Included with delivery	FC fiber cutter (5304141)
Compatibility tip adapters	No

¹⁾ Minimum detectable object was determined at optimum measuring distance and optimum setting.

Mechanics/electronics

Bend radius, fibre-optic cable	25 mm
Ambient operating temperature	-40 °C ... +60 °C

Classifications

ECLASS 5.0	27270905
-------------------	----------

ECLASS 5.1.4	27270905
ECLASS 6.0	27270905
ECLASS 6.2	27270905
ECLASS 7.0	27270905
ECLASS 8.0	27270905
ECLASS 8.1	27270905
ECLASS 9.0	27270905
ECLASS 10.0	27270905
ECLASS 11.0	27270905
ECLASS 12.0	27270905
ETIM 5.0	EC002651
ETIM 6.0	EC002651
ETIM 7.0	EC002651
ETIM 8.0	EC002651
UNSPSC 16.0901	39121528

Sensing ranges with WLL80

Operating mode 16 μs	120 mm
Operating mode 70 μs	300 mm
Operating mode 250 μs	500 mm
Operating mode 500 μs	590 mm
Operating mode 1 ms	660 mm
Operating mode 2 ms	660 mm
Operating mode 8 ms	660 mm

Sensing ranges with WLL180T

Operating mode 16 μs	65 mm
Operating mode 70 μs	240 mm
Operating mode 250 μs	320 mm
Operating mode 2 ms	650 mm
Operating mode 8 ms	690 mm
Note	Sensing ranges related to fiber-optic sensors with type of light: visible red light

Sensing ranges with GLL170

Operating mode 250 μs	130 mm
---	--------

Sensing ranges with GLL170T

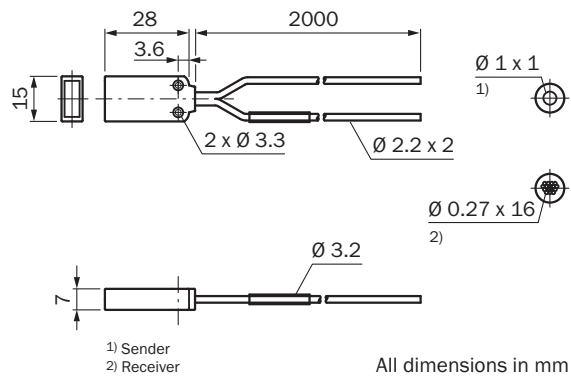
Operating mode 50 μs	160 mm
Operating mode 250 μs	230 mm

Sensing ranges with KTL180

Operating mode 16 μs	10 mm
Operating mode 200 μs	10 mm

Dimensional drawing (Dimensions in mm (inch))

LL3-DZ01



SICK AT A GLANCE

SICK is one of the leading manufacturers of intelligent sensors and sensor solutions for industrial applications. A unique range of products and services creates the perfect basis for controlling processes securely and efficiently, protecting individuals from accidents and preventing damage to the environment.

We have extensive experience in a wide range of industries and understand their processes and requirements. With intelligent sensors, we can deliver exactly what our customers need. In application centers in Europe, Asia and North America, system solutions are tested and optimized in accordance with customer specifications. All this makes us a reliable supplier and development partner.

Comprehensive services complete our offering: SICK LifeTime Services provide support throughout the machine life cycle and ensure safety and productivity.

For us, that is “Sensor Intelligence.”

WORLDWIDE PRESENCE:

Contacts and other locations –www.sick.com