


Part number

# TM 6363 SP



Interlocked switched socket-outlet, TM series, 2 poles + PE, 6 h (blue), 63 A, 200 ÷ 250 V, without fuse-carrier, with base box

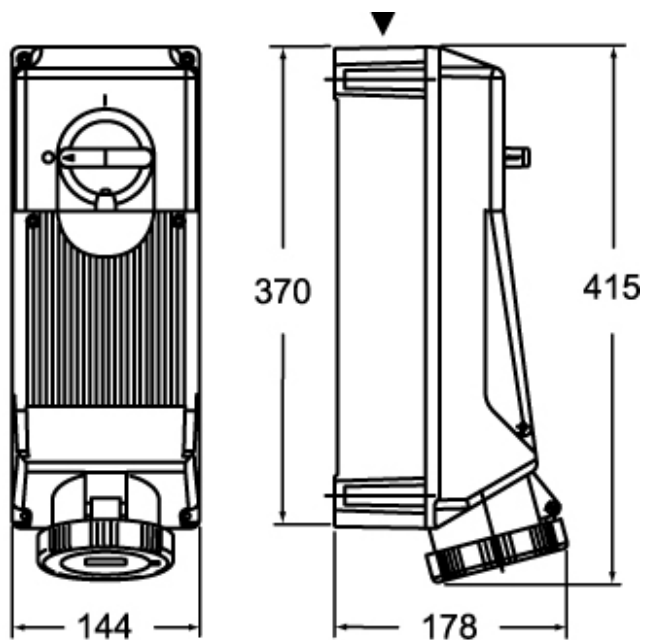
Product description		Material properties	
<b>Product type</b>	Interlocked switched socket-outlet	<b>Colour</b>	RAL 7012 grey, RAL 5015 blue
<b>Series</b>	TM..SP/KSP		Compliant with exemption 6(c): copper alloy containing up to 4% lead by weight
<b>N. of poles</b>	2 poles + 	<b>RoHs conformity</b>	50
<b>Clock position</b>	6	<b>China RoHs - EFUP</b>	50
<b>Size</b>	145 x 565 x 18 mm	<b>REACH SVHC substances</b>	Yes Lead
<b>Specification</b>	Without fuse-carrier With base box	<b>SCIP number</b>	F6799547-ab84-42f2-938f-233ba663766d
Technical data		Approvals / Standards	
<b>Current</b>	63 A	<b>Reference standard</b>	EN 60309-1, -2 e -4
<b>Voltage</b>	200 ÷ 250 V	General ordering information	
<b>IP degree of protection</b>	IP66 / IP67	<b>EAN13 code</b>	8015747100601
Further technical details		Packaging Information	
<b>Weight</b>	3.280,00 g	<b>Sub-packaging length</b>	150,00 mm
<b>Operating temperature range (min, max)</b>	-25°C ... +40°C	<b>Sub-packaging height</b>	188,00 mm
<b>UL 94 flammability rating</b>	V-0 (insert), V-2 (enclosure)	<b>Sub-packaging width</b>	430,00 mm
<b>IK rating (impact degree of protection)</b>	IK10	<b>Sub-packaging weight</b>	3,28 kg
		<b>Sub-packaging volume</b>	12,13 dm <sup>3</sup>
		<b>Sub-packaging description</b>	Carton box
		<b>Sub-packaging quantity</b>	1 Pcs
		<b>Sub-packaging EAN barcode</b>	8015747103138

Part number

# TM 6363 SP



## Catalogue drawings



## Notes

Dimensions shown in mm are not binding and may be changed without notice.