



Product designation				Enclosed switch disconnecter
Product type designation				GAZM
Number of poles		Nr.		3
Operating voltage type				AC
<b>Contact characteristics</b>				
IEC Conventional free air thermal current I <sub>th</sub>		A		63
Rated insulation voltage U <sub>i</sub> IEC/EN		V		1000
Rated impulse withstand voltage U <sub>imp</sub>		kV		8
Operating current I <sub>e</sub>				
AC21A				
	400V	A		63
	500V	A		63
	690V	A		63
AC22A				
	400V	A		63
	500V	A		45
	690V	A		45
AC23A				
	400V	A		45
	500V	A		25
	690V	A		25
Power dissipation per pole max		W		2.9
Rated operational power AC23A				
	400V	kW		22
	690V	kW		22
Conditional short-circuit current (rms)		kA		10
Short-circuit protection with fuse		Class/A		gG63
Making capacity AC23A 400V		A		450
Breaking capacity AC23A 400V		A		360
Mechanical life		cycles		100000
Electrical life AC21A		cycles		15000
<b>Mechanical features</b>				
Operating position		normal allowable		Vertical plan Any
Terminals				
		type		Pillar
		width	mm	5.6
		height	mm	6.5
		screw		M4
		tool		Phillips 2
Tightening torque for terminals				
	min	Nm		1.8
	max	Nm		2

	min	lbin	16
	max	lbin	18

Conductor section	IEC min	mm <sup>2</sup>	0.75
	IEC max	mm <sup>2</sup>	16
	AWG/kcmil min		18
	AWG/kcmil max		6

**Ambient conditions**

Operating temperature	min	°C	-25
	max	°C	+55

Storage temperature	min	°C	-40
	max	°C	+70

Max altitude	m	3000
--------------	---	------

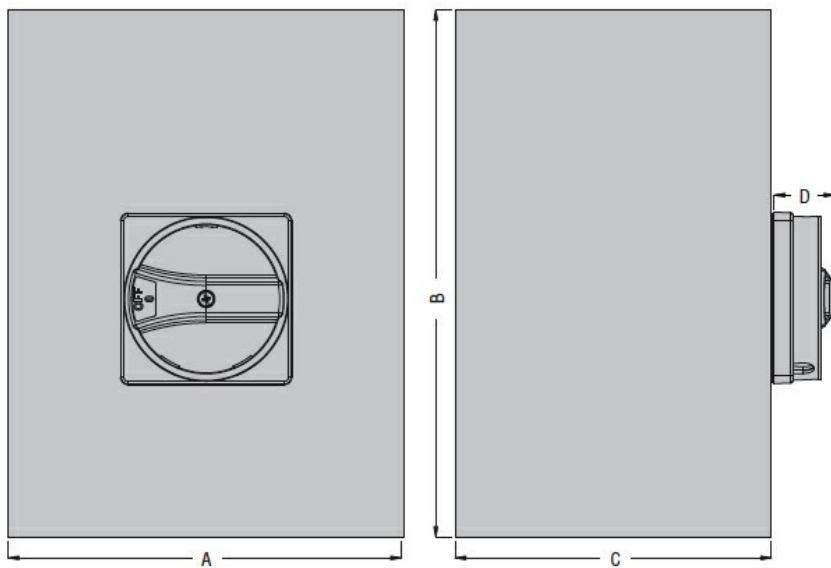
**Resistance & Protection**

Frontal IP degree	IP65
-------------------	------

IP degree of protection	IP65
-------------------------	------

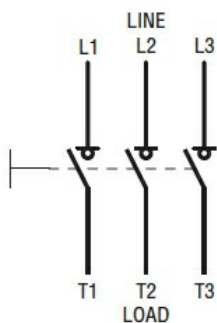
Pollution degree	3
------------------	---

**Dimensions**



Type	A	B	C	D
GAZM016...GAZM100...	150 (5.90")	200 (7.87")	120 (4.72")	23 (0.90")

**Wiring diagrams**



**Certifications and compliance**

**Compliance**

IEC/EN 60947-1  
IEC/EN 60947-3

---

ETIM classification

ETIM 8.0

EC000216 -  
Switch  
disconnecter