



Product designation				Power contactor
Product type designation				B250
Contact characteristics				
Number of poles	Nr.			4
Rated insulation voltage U_i IEC/EN	V			1000
Rated impulse withstand voltage U_{imp}	kV			8
Operational frequency	min	Hz	25	
	max	Hz	400	
IEC Conventional free air thermal current I_{th}	A			350
Operational current I_e	AC-1 ($\leq 40^\circ\text{C}$)	A	350	
	AC-1 ($\leq 55^\circ\text{C}$)	A	300	
	AC-1 ($\leq 70^\circ\text{C}$)	A	250	
	AC-3 ($\leq 440\text{V} \leq 55^\circ\text{C}$)	A	265	
	AC-4 (400V)	A	115	
Rated operational power AC-1 ($T \leq 40^\circ\text{C}$)	230V	kW	124	
	400V	kW	214	
	500V	kW	282	
	690V	kW	380	
IEC max current I_e in DC1 with $L/R \leq 1\text{ms}$ with 1 poles in series	75V	A	350	
	110V	A	160	
	220V	A	--	
	330V	A	--	
	460V	A	--	
IEC max current I_e in DC1 with $L/R \leq 1\text{ms}$ with 2 poles in series	75V	A	350	
	110V	A	300	
	220V	A	250	
	330V	A	--	
	460V	A	--	
IEC max current I_e in DC1 with $L/R \leq 1\text{ms}$ with 3 poles in series	75V	A	350	
	110V	A	300	
	220V	A	300	
	330V	A	250	
	460V	A	--	
IEC max current I_e in DC1 with $L/R \leq 1\text{ms}$ with 4 poles in series	75V	A	350	
	110V	A	300	
	220V	A	300	
	330V	A	300	
	460V	A	250	

IEC max current I_e in DC3-DC5 with L/R ≤ 15ms with 1 poles in series

75V	A	280
110V	A	150
220V	A	--
330V	A	--
460V	A	--

IEC max current I_e in DC3-DC5 with L/R ≤ 15ms with 2 poles in series

75V	A	280
110V	A	250
220V	A	200
330V	A	--
460V	A	--

IEC max current I_e in DC3-DC5 with L/R ≤ 15ms with 3 poles in series

75V	A	280
110V	A	280
220V	A	250
330V	A	200
460V	A	--

IEC max current I_e in DC3-DC5 with L/R ≤ 15ms with 4 poles in series

75V	A	280
110V	A	280
220V	A	280
330V	A	200
460V	A	200

Short-time allowable current for 10s (IEC/EN60947-1)

A	2200
---	------

Protection fuse

gG (IEC)	A	400
aM (IEC)	A	250

Making capacity (RMS value)

A	2750
---	------

Breaking capacity at voltage

440V	A	2500
500V	A	2250
690V	A	2200

Resistance per pole (average value)

mΩ	0.2
----	-----

Power dissipation per pole (average value)

I _{th}	W	24.5
AC-3	W	12.5

Tightening torque for terminals

min	Nm	35
max	Nm	35
min	I _{bin}	25.8
max	I _{bin}	25.8

Tightening torque for coil terminal

min	Nm	1
max	Nm	1
min	I _{bin}	0.74
max	I _{bin}	0.74

Max number of wires simultaneously connectable

Nr.	2
-----	---

Conductor section

AWG/Kcmil

max	500 kcmil
-----	-----------

Power terminal protection according to IEC/EN 60529

IP00

Mechanical features

Operating position

	normal allowable	Vertical plan ±30°
Fixing		Screw
Weight		g 1117
Conductor section		
	AWG/kcmil conductor section	
	max	500 kcmil

Operations

Mechanical life	cycles	10000000
Electrical life	cycles	1000000

Safety related data

Performance level B10d according to EN/ISO 13489-1	rated load mechanical load	cycles cycles	1000000 10000000
Mirror contats according to IEC/EN 609474-4-1			yes
EMC compatibility			yes

AC coil operating

Rated AC voltage at 50/60Hz, 60Hz	min	V	220
	max	V	240

AC operating voltage			
	of 50/60Hz coil powered at 50Hz		
	pick-up	min	%Us 80
		max	%Us 110
	drop-out	min	%Us 20
		max	%Us 60
	of 50/60Hz coil powered at 60Hz		
	pick-up	min	%Us 80
		max	%Us 110
	drop-out	min	%Us 20
		max	%Us 60
	of 60Hz coil powered at 60Hz		
	pick-up	min	%Us 80
		max	%Us 110
	drop-out	min	%Us 20
		max	%Us 60

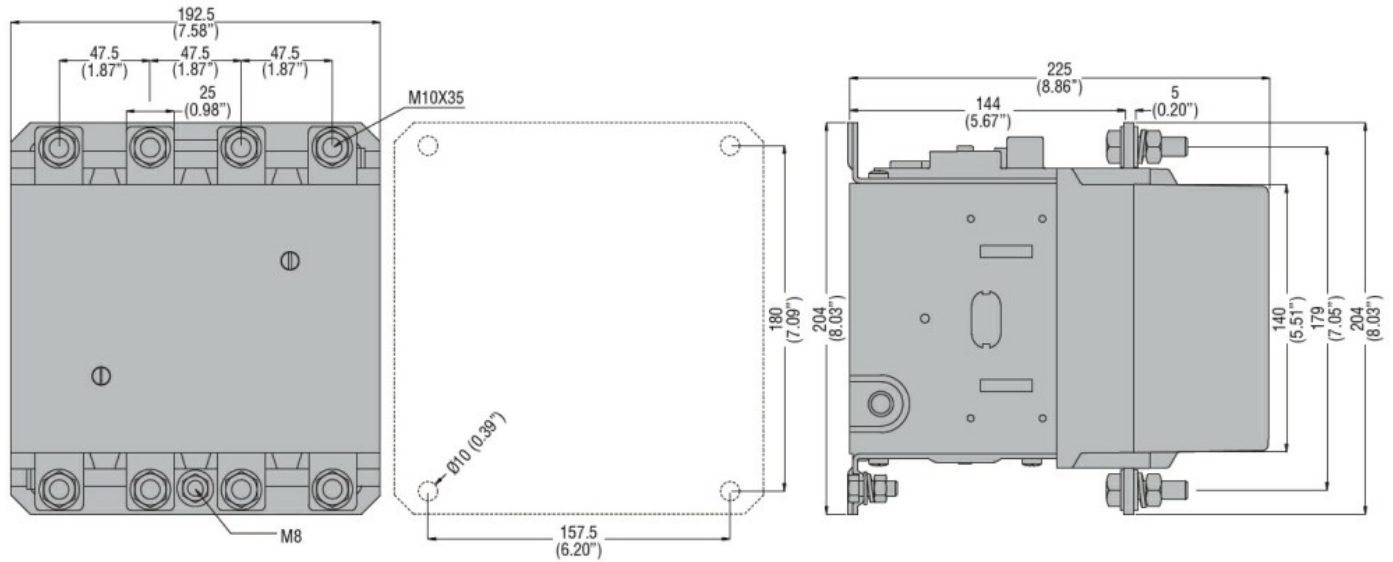
AC average coil consumption at 20°C			
	of 50/60Hz coil powered at 50Hz	in-rush	VA 300
		holding	VA 10
	of 50/60Hz coil powered at 60Hz	in-rush	VA 300
		holding	VA 10
Dissipation at holding ≤20°C 50Hz		W	10

DC coil operating

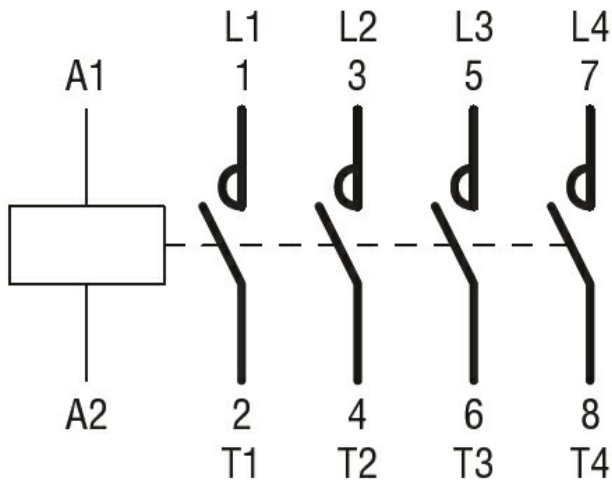
DC rated control voltage

		min	V	220
		max	V	240
DC operating voltage				
	pick-up	min	%Us	80
		max	%Us	110
	drop-out	min	%Us	20
		max	%Us	60
Average coil consumption ≤20°C				
		in-rush	W	300
		holding	W	10
Max cycles frequency				
Mechanical operation				cycles/h 2400
Operating times				
Average time for Us control				
	in AC			
		Closing NO		
		min	ms	80
		max	ms	120
		Opening NO		
		min	ms	30
		max	ms	75
	in DC			
		Closing NO		
		min	ms	80
		max	ms	120
		Opening NO		
		min	ms	30
		max	ms	75
UL technical data				
Full-load current (FLA) for three-phase AC motor				
		at 480V	A	240
		at 600V	A	242
Yielded mechanical performance				
	for three-phase AC motor			
		200/208V	HP	75
		220/230V	HP	100
		575/600V	HP	250
General USE				
	Contactor			
		AC current	A	350
Short-circuit protection fuse, 600V				
	Standard fault			
		Short circuit current	kA	18
		Fuse rating	A	800
		Fuse class		L
Ambient conditions				
Temperature				
	Operating temperature			
		min	°C	-50
		max	°C	70
	Storage temperature			
		min	°C	-60

	max	°C	80
Max altitude		m	3000
Resistance & Protection			
Pollution degree			3
Dimensions			



Wiring diagrams



Certifications and compliance

Compliance

- CSA C22.2 n° 60947-1
- CSA C22.2 n° 60947-4-1
- IEC/EN 60947-1
- IEC/EN 60947-4-1
- UL 60947-1
- UL 60947-4-1

Certificates

- CCC
- cULus
- EAC

ETIM classification

ETIM 8.0

EC000066 -
Power contactor,
AC switching

