

PANDUIT® NET-ACCESS S-Type Split PDU Brackets

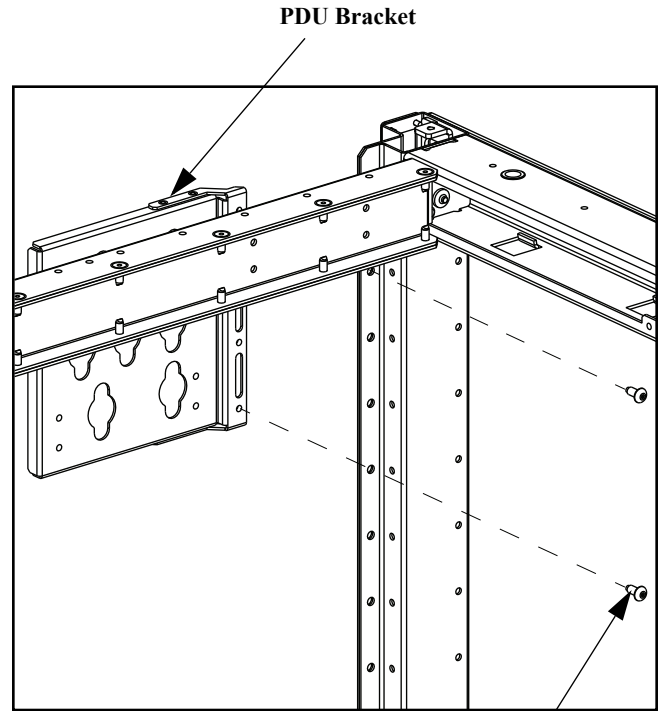
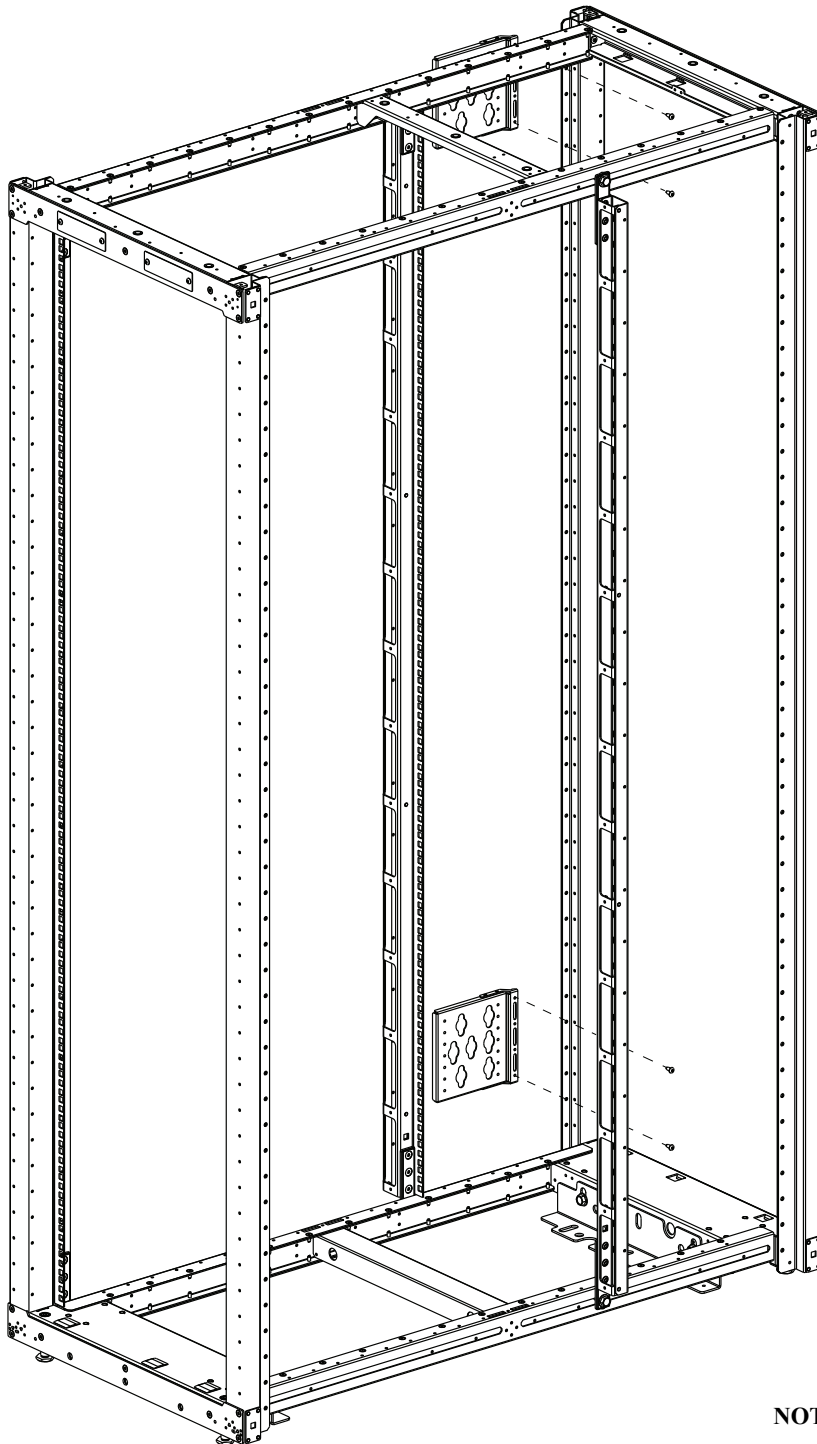
(Part Number - SPDUBRK)

INSTRUCTIONS CM612

© Panduit Corp. 2013

PDU Bracket Installation

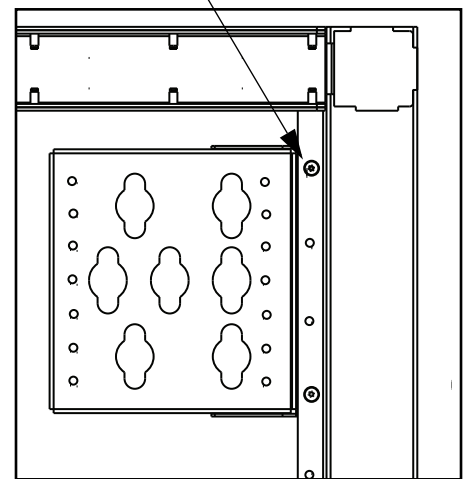
- Orient PDU brackets on outside of cabinet post at desired positions (flat surface of bracket to face inwards)
- Fasten PDU brackets to cabinet by passing [2] M5 Torx screws through holes of cabinet post into bracket as shown below



DETAIL VIEW

[2] M5 Torx Screws per Bracket
-Use T25 Torx driver

Locate top hole of UPPER
BRACKET at second hole
from top of vertical post



NOTE: Recommended bracket spacing is 64.75" [1645mm]