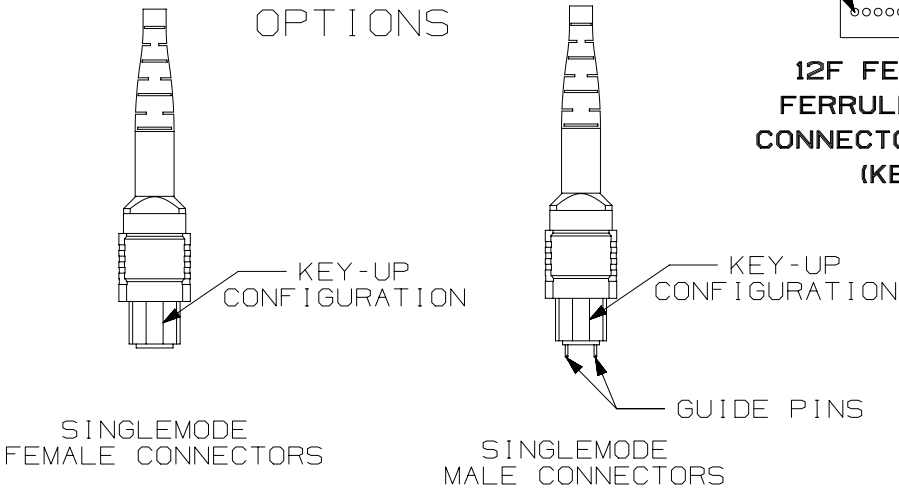


2

1

CONNECTOR OPTIONS



12F FEMALE MPO FERRULE POSITION CONNECTOR END VIEW (KEY UP)

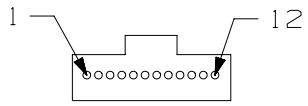
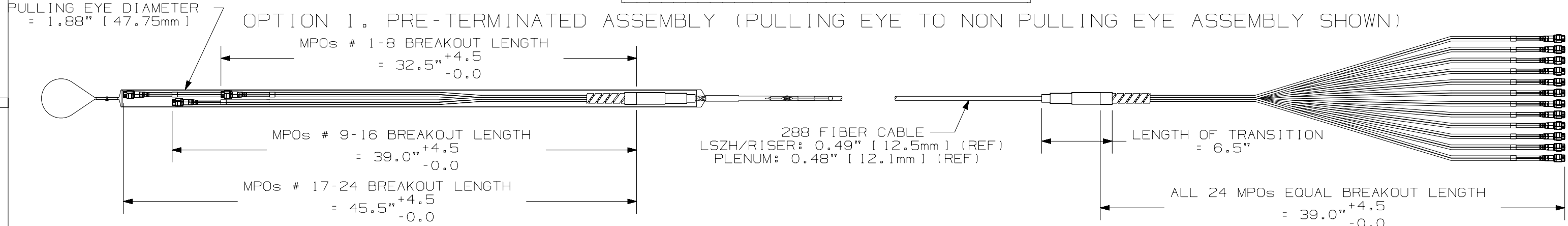
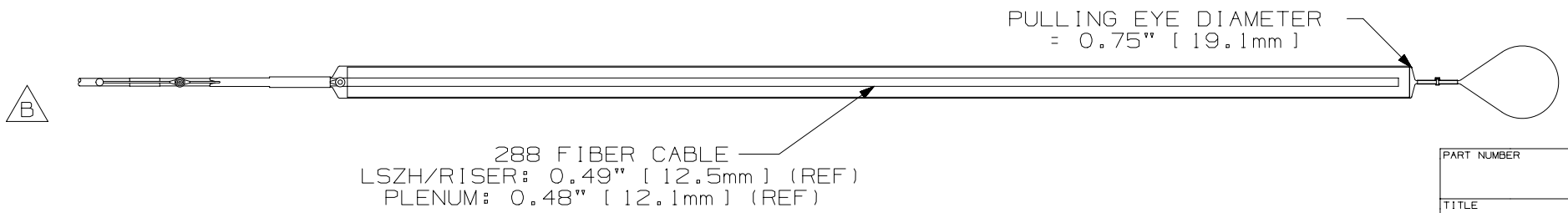


TABLE 1: 24-FIBER INTERCONNECT PART NUMBER MATRIX														
1	2	3	4	5	6	7	8	9	10	11	12	13	14	15
F	B	B	N									*	*	*
LENGTH: 005 TO 999 M. 016 TO 999 FT.														
UNIT OF MEASURE: F = FEET (PLENUM ASSEMBLIES) M = METERS (LSZH ASSEMBLIES)														
PULLING EYE: A = BLACK PULLING EYE, END A N = NO PULLING EYE														
PERFORMANCE/POLARITY: A = POLARITY A, STANDARD 1L B = POLARITY B, STANDARD 1L C = POLARITY C, STANDARD 1L														
CONNECTOR VARIANT END A: D = 39.0" EQUAL BREAKOUT E = STAGGERED BREAKOUT AS SHOWN (32.5", 39.0", 45.5") N = NO VARIANT (PIGTAIL)														
CONNECTORS END B: 5 = 12 FIBER MPO FEMALE 6 = 12 FIBER MPO MALE 7 = 12 FIBER PANMPO FEMALE 8 = 12 FIBER PANMPO MALE N = NO CONNECTOR (PIGTAIL)														
CONNECTOR VARIANT END A: D = 39.0" EQUAL BREAKOUT E = STAGGERED BREAKOUT AS SHOWN (32.5", 39.0", 45.5")														
CONNECTORS END A: 5 = 12 FIBER MPO FEMALE 6 = 12 FIBER MPO MALE 7 = 12 FIBER PANMPO FEMALE 8 = 12 FIBER PANMPO MALE														
FLAME RATING: C = LSZH EUROCLASS Cca R = RISER OFNR P = PLENUM OFNP														
CABLE TYPE: N = INDOOR/OUTDOOR TRUNK														
FIBER COUNT: B = 288 FIBERS														
FIBER TYPE: B = OS1/2 9/125um SINGLEMODE (CABLE SHOWN IS BEND-INSENSITIVE G.657.A2)														
PRODUCT DESIGNATION: F=FIBER														

- NOTES:
- VISIT OUR ON-LINE CATALOG AT WWW.PANDUIT.COM FOR A LIST OF CURRENT PARTS APPLICABLE FOR USE WITH THIS PRODUCT.
  - DIMENSIONS IN [ ] ARE METRIC.
  - ALL MATERIALS AND COMPONENTS USED MEET THE MATERIAL RESTRICTIONS OF RoHS (EUROPEAN DIRECTIVE 2011/65/EU ON THE RESTRICTION OF HAZARDOUS SUBSTANCES) AS PROPOSED BY THE RoHS TECHNICAL ADAPTATION COMMITTEE.
  - CONNECTORS MEET THE REQUIREMENTS OF TIA/EIA 568-D.
  - LSZH-RATED CABLE ASSEMBLIES MEET IEC-60332 REQUIREMENTS.
  - PERFORMANCE LABELS FOR EACH CHANNEL ACCOMPANIES EACH CABLE ASSEMBLY.
  - STANDARD BREAKOUT LENGTH SHOWN. CUSTOM BREAKOUT LENGTHS AVAILABLE UPON REQUEST.
  - 288 FIBER CABLE CAN BE THE FOLLOWING FLAME RATING: (OFNR AND EUROCLASS Cca-s1a, d0, a1) (OFNP PLENUM)
  - THERE ARE 3 BREAKOUT LENGTHS FOR THE STAGGERED OPTION, WITH 8 MPOs AT EACH LENGTH.
  - FOR PIGTAIL ASSEMBLIES (CONNECTORS TO BLUNT END)
    - THE PULLING EYE ALWAYS WILL GO ON THE BLUNT END
    - THE BLUNT END WILL BE FIRST OFF THE REEL



OPTION 2. PIGTAIL ASSEMBLY (CONNECTORS TO BLUNT END WITH PULLING EYE - BLUNT END SHOWN BELOW)



REV	DATE	BY	CHK	APR	DESCRIPTION	ECN
01B	09-15-22	SAT	ACAM	EJH	C. ADDED PANMPO AND POLARITY C OPTIONS. SECOND CHARACTER WAS 9.	00373EAF-DC
01A	02-23-22	JSP	BJBE	EJH	B. ADDED BLUNT END DIAGRAM AND NOTE 10	00373EAF-DC
00B	07-17-19	SAT	BJBE	EJH	A. ADDED PLENUM OPTION.	00373EAF-DC
00A	04-22-19	SAT	BJBE	EJH	INITIAL RELEASE	00373EAF-DC

PART NUMBER		SEE TABLE 1	
TITLE			
288 FIBER CABLE ASSEMBLIES: OPTION 1. (24) 12F MPOs TO (24) 12F MPOs (PRE-TERM) OPTION 2. (24) 12F MPOs TO BLUNT END (PIGTAIL) CUSTOMER DRAWING			
ITEM REVISION NAME		00373EAF/01	
DATASET FILE NAME		00373EAF_DC/R01B	
MATERIAL		N/A	
DRAWN BY		SAT	
DATE		04/17/2018	
CHK		BJBE	
SCALE		NONE	
DRAWING NUMBER		00373EAF - DC	
SHEET 1 OF 1		B	

B-SIZE CUSTOMER

2

1