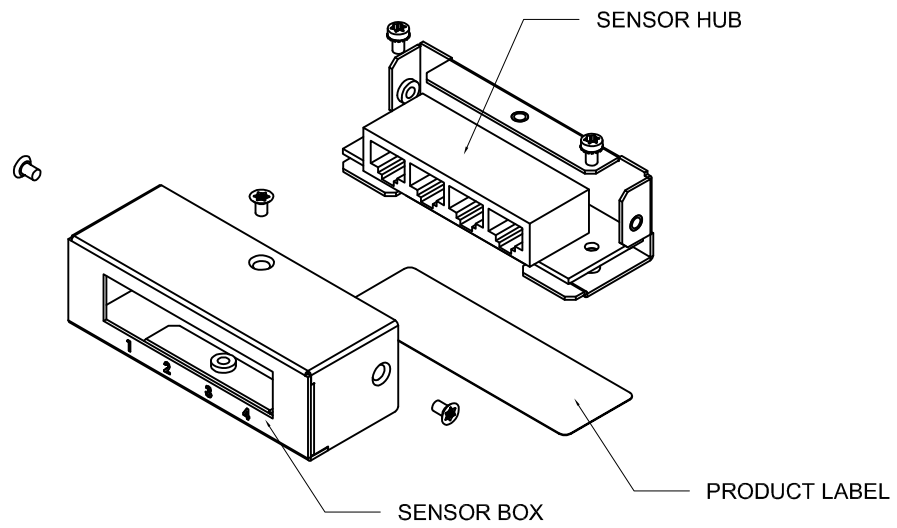


| | |
|-------------|--------|
| PANDUIT P/N | WEIGHT |
| EF001 | 0.35kg |



SPECIFICATION:

- 1. STANDARD OPERATING RANGE: 0°C - 65°C, NON-CONDENSING [32°F - 149°F, NON-CONDENSING]
- OPERATIONAL VOLTAGE: 5 ±0.1 VOLTS DC
- CURRENT DRAW: 30 mA MAX
- HUB HOUSING MATERIAL: HOT-DIPPED GALVANIZED, POWER COATED
- HUB HOUSING COLOR: BLACK
- INTERFACE PORT: RJ45 COMPLIANT
- 2. ADDITIONAL: NONE
- 3. ACCESSORY COMPONENTS:
 - CABLE TIES, QTY:(5)
 - DUAL-LOCK TAPE FASTENER, QTY:(1)
 - INSTALLATION GUIDE, QTY:(1)

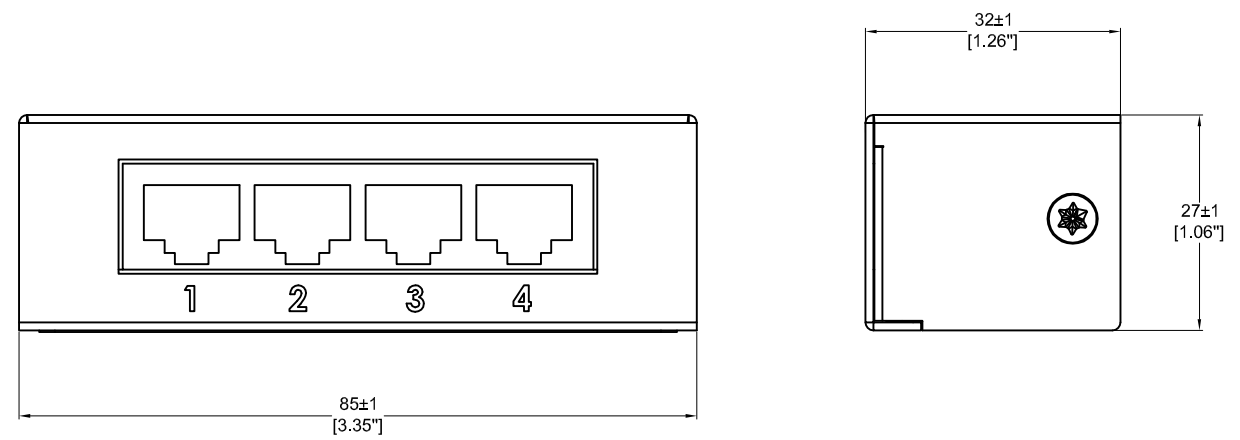
NOTES:

- 1. PRIMARY DIMENSIONS ARE IN MILLIMETERS. SECONDARY DIMENSION ARE IN INCHES
- 2. INSTALLATION SHALL COMPLY WITH ALL APPLICABLE NATIONAL, STATE, AND LOCAL CODES
- 3. VISIT OUR ON-LINE CATALOG AT WWW.PANDUIT.COM FOR A CURRENT LIST OF PRODUCTS APPLICABLE FOR USE WITH THIS PART

IDENTIFICATION

PART NUMBER
EF001

DESCRIPTION
SENSOR HUB KIT



| REV | DATE | BY | CHK | APR | DESCRIPTION | ECN |
|-----|------------|--------|-----|-----|-----------------|-------|
| 00A | 11/01/2017 | Hanson | MM | DJB | INITIAL RELEASE | EF001 |

| | | |
|--|--------------------|-----------------------------|
| WE ASK THAT YOU CHECK FULLY THE DIMENSIONS, NOTES, AND SIGN THE CLIENT SIGNATURE BOX. THE JOB WILL NOT PROGRESS WITHOUT SIGNED APPROVAL. PLEASE DO NOT DELAY IN RETURNING PROOF AS IT WILL AFFECT DELIVERY | | SIGN |
| | | DATE |
| | | PRINT |
| TITLE: SMARTZONE G5 SENSOR HUB KIT CUSTOMER DRAWING | | |
| ITEM REVISION NAME: | | |
| DATASHEET FILE NAME: | | |
| UNLESS OTHERWISE SPECIFIED DIMENSIONAL TOLERANCE ARE: mm [IN] Wire Harness Tolerance(mm) | | MATERIAL/COLOR: N/A |
| THIRD ANGLE PROJECTION | | DRAWING NUMBER: EF001_DC |
| DRAWN BY Hanson | DATE 11/01/2017 | CHK MM |
| SCALE NONE | SHT 1 OF 1 | |
| | | SCALE B |