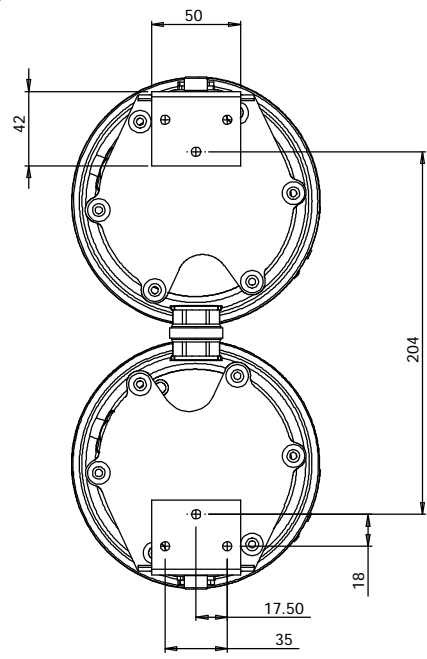
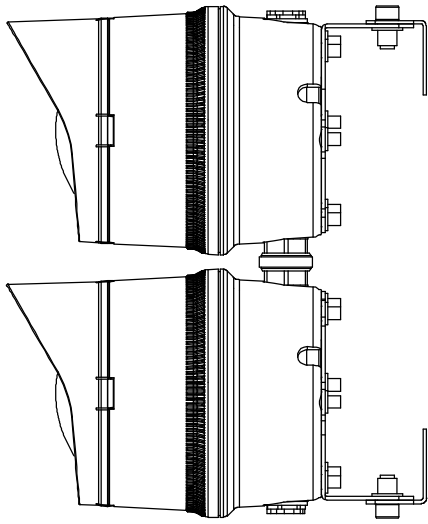
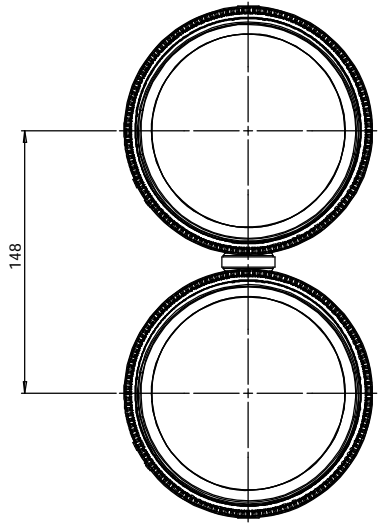
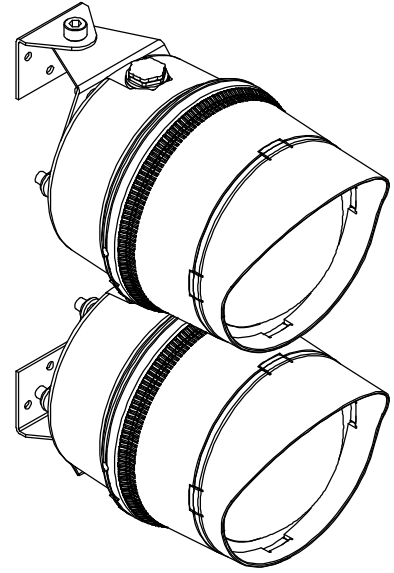
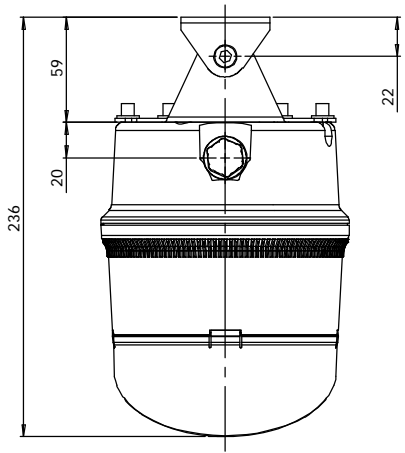


ISSUE	MOD No.	REASON - INITIAL - DATE
A		INTRODUCTION OF PART RNP 17-12-08



DRAWING TO BS8888:2000 GEOMETRIC TOLERANCES TO ISO1101:1983 LINEAR DIMENSIONAL TOLS ANGULAR DIMENSIONAL TOLS	DRAWN	DATE	SURFACE FINISH	WEIGHT (kg)	THIS DRAWING AND ANY INFORMATION OR DESCRIPTIVE MATTER THEREIN IS COMMUNICATED IN CONFIDENCE AND IS THE COPYRIGHT PROPERTY OF EUROPEAN SAFETY SYSTEMS LTD. NEITHER THE WHOLE OR ANY EXTRACT MAY BE DISCLOSED, LOANED, COPIED OR USED FOR MANUFACTURING OR TENDERING PURPOSES WITHOUT THEIR WRITTEN CONSENT.	 EUROPEAN SAFETY SYSTEMS LTD IMPRESS HOUSE MANSELL ROAD ACTON LONDON W3 7QH WWW.ESS.COM	ALL DIMENSIONS IN MM IF IN DOUBT, ASK - DO NOT SCALE		 <b>A2</b>
	CHECKED	DATE	MATERIAL				<b>TITLE OUTLINE B450 BEACON AND BRACKET VERTICALLY MOUNTED</b>		
STANDARDS PRODUCT REF	APPROVED	DATE	ALTERNATIVE MATERIAL		 AS PER LATEST DATE OF ISSUE SHOWN ABOVE		SCALE	SHEET	DRAWING NUMBER
	R.N.POTTS	17:12:08	MILD STEEL				1:1	1 OF 1	<b>SK0053</b>