

Part number

# CKAX 03 CXA



Cover,CKA series, with 1 lever, size "21.21", for male inserts, with loop

## Product description

<b>Product type</b>	Cover
<b>Series</b>	CKA
<b>Closing type</b>	With 1 lever
<b>Size</b>	Size "21.21"
<b>Specification</b>	For male inserts, with loop

## Technical data

<b>IP degree of protection</b>	IP44 (IP66/IP67/IP69 with CKR 65/CKR 65 D kits)
--------------------------------	---

## Further technical details

<b>Weight</b>	30,00 g
<b>Operating temperature range (min, max)</b>	-40°C...+125°C

## Material properties

<b>Main material</b>	Zinc die-cast
<b>Colour</b>	RAL 7040 grey
<b>RoHs conformity</b>	Compliant
<b>China RoHs - EFUP</b>	E
<b>REACH SVHC substances</b>	No

## Approvals / Standards

<b>UL</b>	ECBT2
<b>cUL</b>	ECBT8

## General ordering information

<b>EAN13 code</b>	8015747027496
<b>eCl@ss 8.1</b>	27440208
<b>ETIM 7.0</b>	EC002314

## Packaging Information

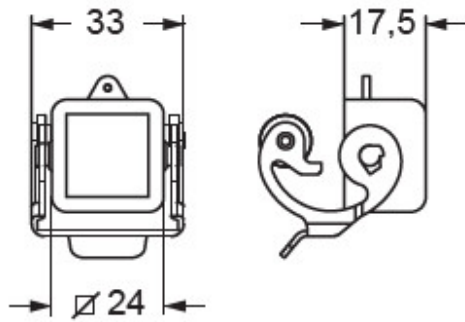
<b>Sub-packaging weight</b>	0,30 kg
<b>Sub-packaging description</b>	Plastic bag
<b>Sub-packaging quantity</b>	10 Pcs
<b>Sub-packaging EAN barcode</b>	8015747027502

Part number

# CKAX 03 CXA



Catalogue drawings



---

## Notes

Dimensions shown in mm are not binding and may be changed without notice.

---