

Part number  
**CHV 24**



Hood, C-TYPE series, with 4 pegs, Pg21 top cable entry, size "104.27"

**Product description**

<b>Product type</b>	Hood
<b>Series</b>	C-TYPE
<b>Closing type</b>	With 4 pegs
<b>Size</b>	Size "104.27"
<b>Cable entry</b>	Top cable entry Pg21

**Technical data**

<b>IP degree of protection</b>	IP66 (and IP69 DIN 40050 - 9)
--------------------------------	-------------------------------

**Further technical details**

<b>Weight</b>	175,00 g
<b>Operating temperature range (min, max)</b>	-40°C...+125°C

**Material properties**

<b>Colour</b>	RAL 7040 grey
<b>RoHs conformity</b>	Compliant
<b>China RoHs - EFUP</b>	E
<b>REACH SVHC substances</b>	No

**Approvals / Standards**

<b>Certifications</b>	DNV-GL, BV
<b>UL</b>	ECBT2
<b>cUL</b>	ECBT8

**General ordering information**

<b>EAN13 code</b>	8015747024648
-------------------	---------------

**Packaging Information**

<b>Packaging length</b>	305,00 mm
<b>Packaging height</b>	180,00 mm
<b>Packaging width</b>	275,00 mm
<b>Packaging weight</b>	3,68 kg
<b>Packaging volume</b>	15,10 dm <sup>3</sup>
<b>Packaging description</b>	Carton box
<b>Packaging quantity</b>	20 Pcs
<b>Packaging EAN code</b>	8015747024655
<b>Sub-packaging weight</b>	0,92 kg
<b>Sub-packaging description</b>	Plastic packaging
<b>Sub-packaging quantity</b>	5 Pcs
<b>Sub-packaging EAN barcode</b>	8015747024662

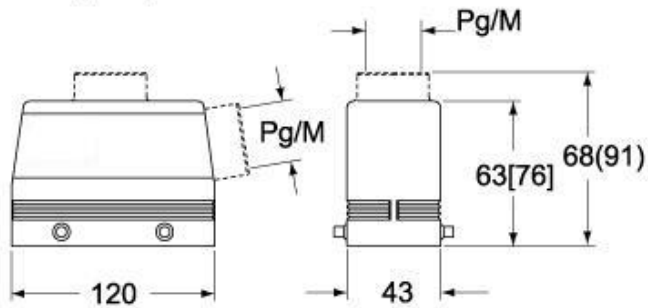
Part number

# CHV 24

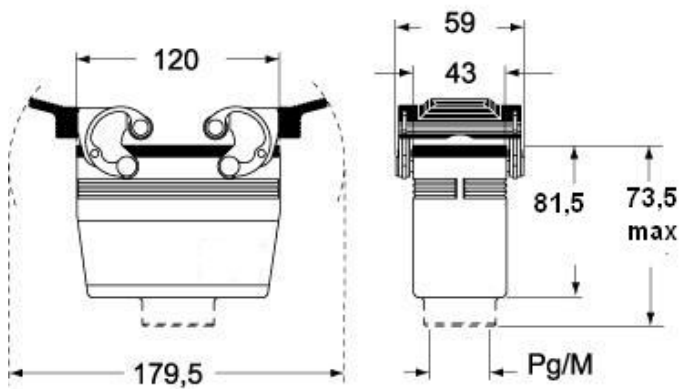


Catalogue drawings

**CHO [CAO] CHV (CAV) - MHO [MAO]  
MHV (MAV)**



**CHV G (CAV G) - MHV G (MAV G) - [MFV G]**



## Notes

Dimensions shown in mm are not binding and may be changed without notice.