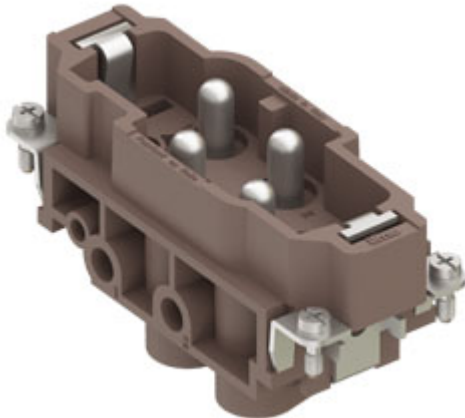


Part number

CXM 4/0 RY



Male insert, CX RY series, screw terminal connection, 4 poles + PE, 80 A 830 V 8 kV 3, size "77.27", for applications up to 180°C

Product description	
Product type	Insert
Series	CX RY
Connection type	Screw terminal connection
Gender	Male
N. of poles	4 poles +
Size	Size 77.27
Specification	For applications up to 180°C
Technical data	
Current	80 A
Voltage	830 V
Rated impulse withstand voltage	8 kV
Pollution degree	3
Rated voltage according to UL/CSA	600 V
Wire cross-section	4,00 mm ² - 16,00 mm ²
AWG size	12 - 6
Contact type	Turned silver plated
IP degree of protection	IP20 without enclosure, IP65 with enclosure
Further technical details	
Characteristics according to EN 61984	80A 830V 8kV 3
Mating cycles	≥ 500
Insulation resistance	≥ 10 GΩ
Contact resistance	≤ 0,3 mΩ
Weight	121,33 g
Operating temperature range (min, max)	-40°C ... +180°C
UL 94 flammability rating	V-0

Material properties	
Main material	Polyphenylene sulfide (PPS)
Other materials	Contacts: copper alloy
RoHs conformity	Compliant with exemption 6(c): copper alloy containing up to 4% lead by weight
China RoHs - EFUP	50
REACH SVHC substances	Yes Lead
SCIP number	1a9c93ff-0445-4a16-81e3-1609ac5274d6
Approvals / Standards	
Reference standard	EN 61984:2009-06
Certifications	CSA, CQC, DNV, BV, EAC
UL	ECBT2
cUL	ECBT8
General ordering information	
EAN13 code	8015747153218
eCl@ss 8.1	27440205
ETIM 7.0	EC000438
Packaging Information	
Packaging length	245,00 mm
Packaging height	165,00 mm
Packaging width	215,00 mm
Packaging weight	4,00 kg
Packaging volume	8,69 dm ³
Packaging description	Carton box
Packaging quantity	30 Pcs
Packaging EAN code	8015747153362
Sub-packaging length	87,00 mm
Sub-packaging height	36,00 mm
Sub-packaging width	180,00 mm
Sub-packaging weight	0,67 kg
Sub-packaging volume	0,56 dm ³
Sub-packaging description	Carton tray
Sub-packaging quantity	5 Pcs
Sub-packaging EAN barcode	8015747153379

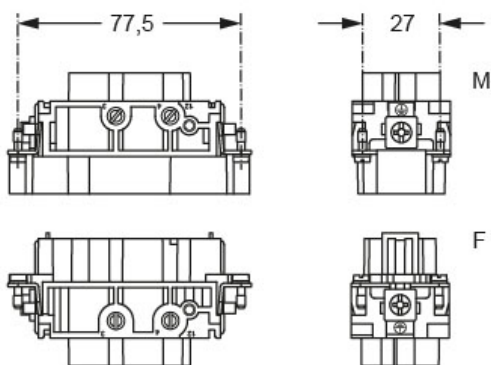
Part number

CXM 4/0 RY

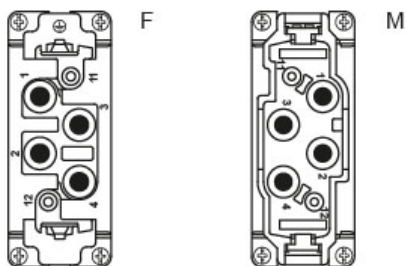


Catalogue drawings

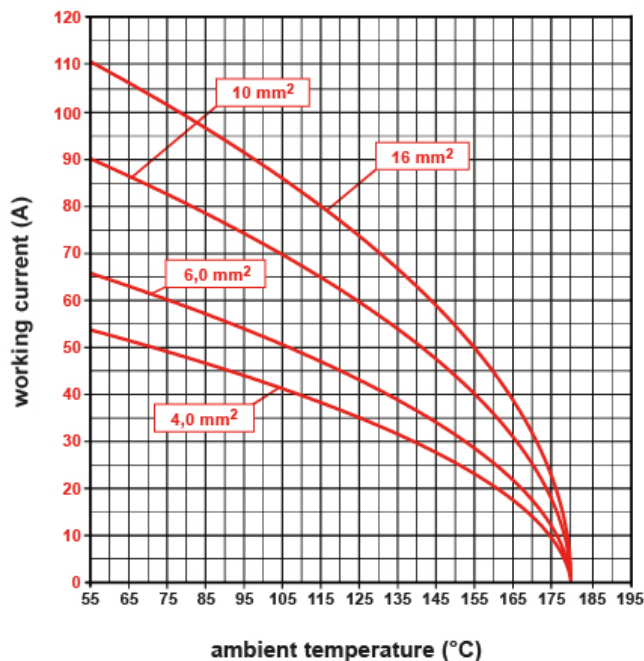
Derating curves



contacts side (front view)



CX RY 4/0 poles connector inserts
Maximum current load derating diagram



Notes

Dimensions shown in mm are not binding and may be changed without notice.

California Proposition 65 Information



WARNING

This product can expose you to lead and its compounds, known to the State of California to cause cancer and/or reproductive toxicity. For more information go to www.P65Warnings.ca.gov.

California Proposition 65 Information



WARNING

This product can expose you to lead and its compounds, known to the State of California to cause cancer and/or reproductive toxicity. For more information go to www.P65Warnings.ca.gov.