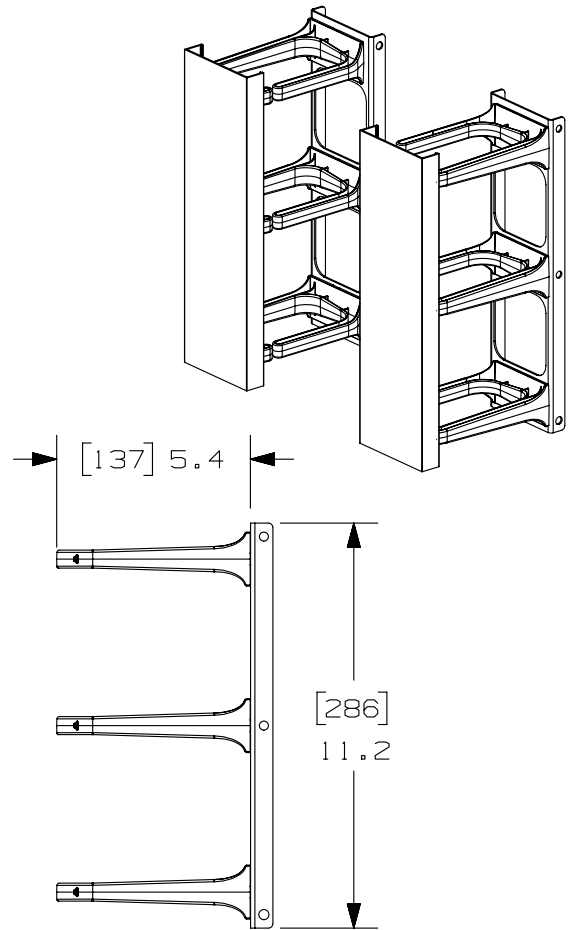
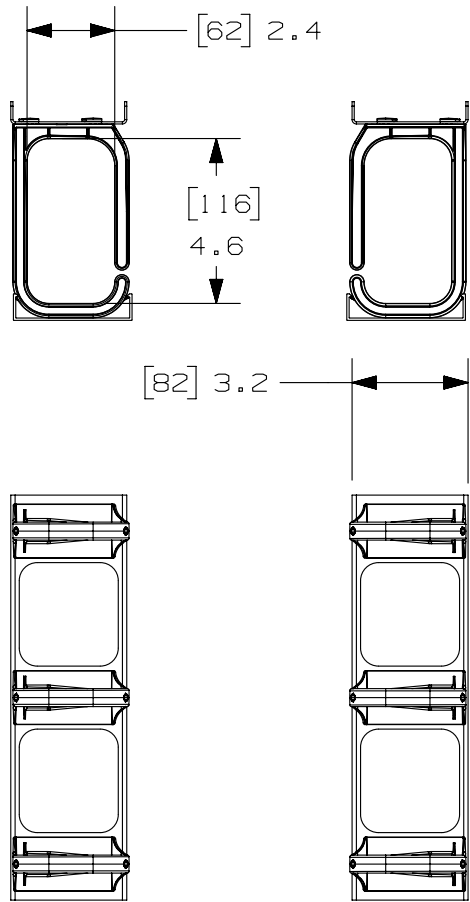


THIS COPY IS PROVIDED ON A RESTRICTED BASIS AND IS NOT TO BE USED IN ANY WAY DETRIMENTAL TO THE INTERESTS OF PANDUIT CORP.



PANDUIT PART NO.	WEIGHT
PZLRB4P6LR	2.00 LBS 0.9 kg

NOTES:

- SEE CURRENT CATALOG FOR ADDITIONAL PART NUMBER SUFFIXES TO INDICATE COLOR AND OR PACKAGE QUANTITY.
- SEE CATALOG FOR COMPLETE LIST OF PARTS APPLICABLE FOR USE WITH THIS PART.
- DIMENSIONS IN PARENTHESES ARE IN METRIC.
- PART INCLUDES:
2- 6RU MOUNT PANELS
2- PANEL COVERS
6- D-RING CABLE MANAGER
6- MOUNT SCREWS

COVERS NOT SHOWN FOR CLARITY

REV	DATE	BY	CHK	APR	DESCRIPTION	ECN
00A	2/5/13	RYB			RELEASED TO PRODUCTION	12V316AE_DC

TITLE PZLRB4P6LR VERTICAL RING MANAGER FOR 4 POST OVERHEAD RACK CUSTOMER DRAWING	
ITEM REVISION NAME 12V316AE/00	PANDUIT TM
DATASET FILE NAME 12V316AE_DC/00A	
UNLESS OTHERWISE SPECIFIED, DIMENSIONAL TOLERANCES ARE: IN (mm)	
.x ± .1 [2.54]	.xxx ± .005 [.127]
.xx ± .01 [.25]	ANGLES ± 5 °
DRAWING NUMBER: 12V316AE_DC	
DRAWN BY RYB	DATE 2/5/13
CHK	SCALE NONE
SHT 1 OF 2	
SIZE A	

D101000DA/12

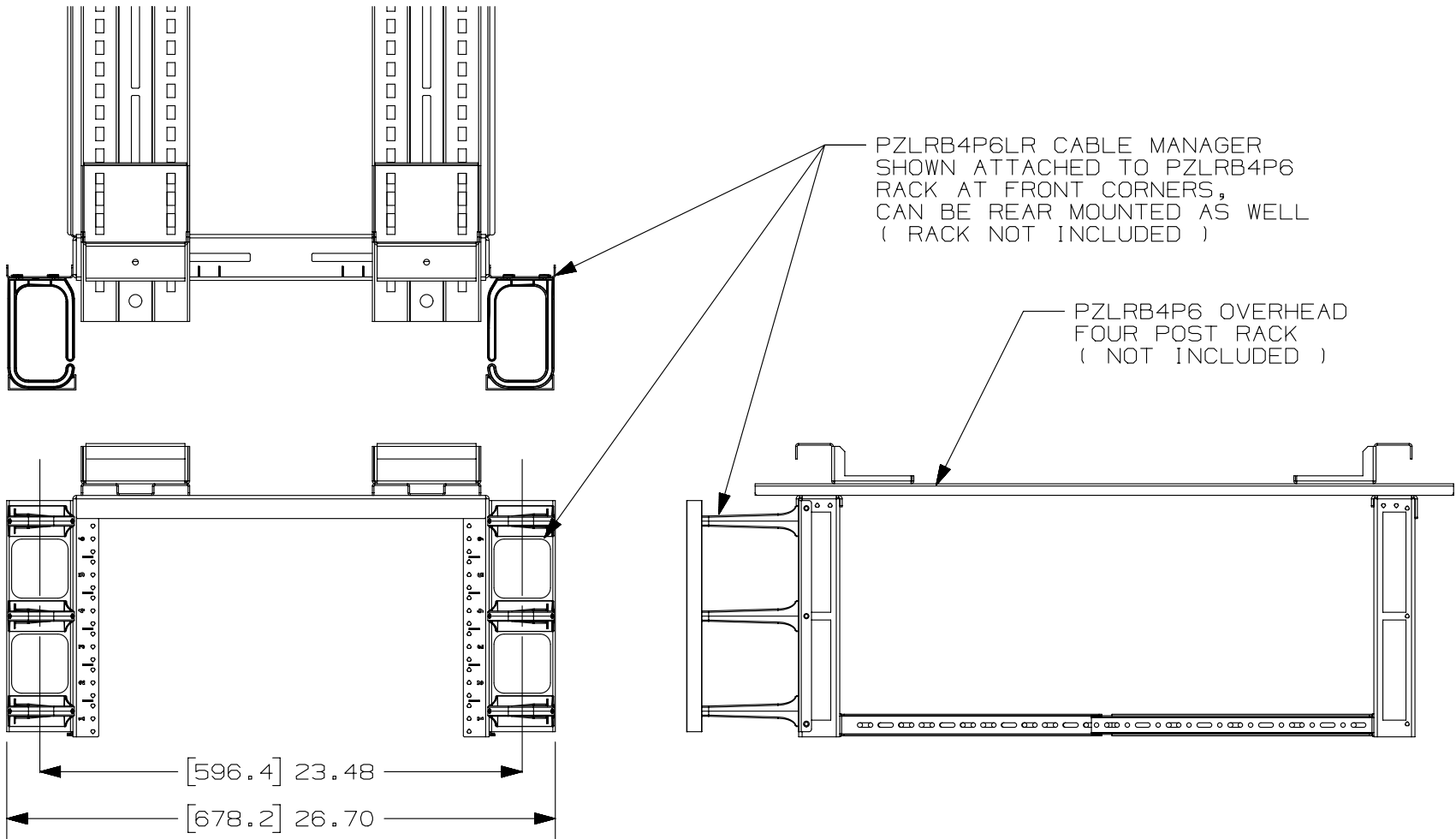
2

1

2

1

THIS COPY IS PROVIDED ON A RESTRICTED BASIS AND IS NOT TO BE USED IN ANY WAY DETRIMENTAL TO THE INTERESTS OF PANDUIT CORP.



COVERS NOT SHOWN FOR CLARITY

TITLE		PZLRB4P4SR VERTICAL RING MANAGER FOR 4 POST OVERHEAD RACK CUSTOMER DRAWING	
ITEM REVISION NAME		12V316AE/00	
DATASET FILE NAME		12V316AE_DC/00A	
UNLESS OTHERWISE SPECIFIED, DIMENSIONAL TOLERANCES ARE: IN [mm]		.xxx ± .005 [.127] .xx ± .01 [.25] ANGLES ± 5 °	
DRAWN BY		DATE	CHK
RYB		2/5/13	NONE
SCALE		NONE	
THIRD ANGLE PROJECTION		DRAWING NUMBER:	
		12V316AE_DC	
MATERIAL:		SEE NOTES	
REV		DATE	BY
01A		2/5/13	RYB
DESCRIPTION		APR	ECN
SEE SHEET 1 OF 2			12V316AE_DC
SHT 2 OF 2		SIZE	
A		A	

D10100DA/12