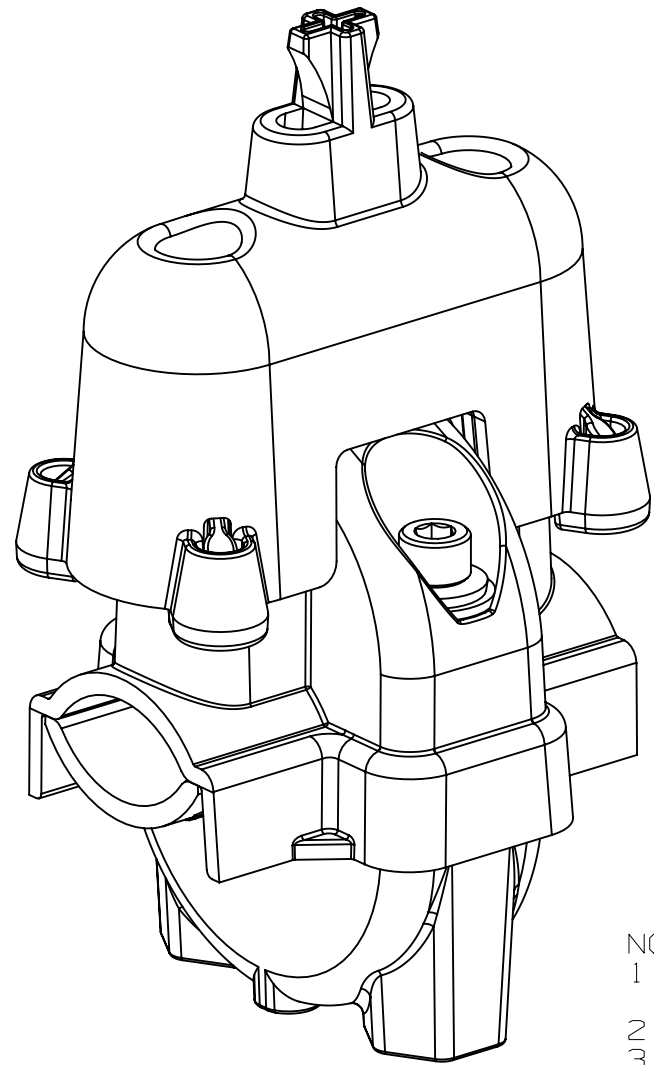
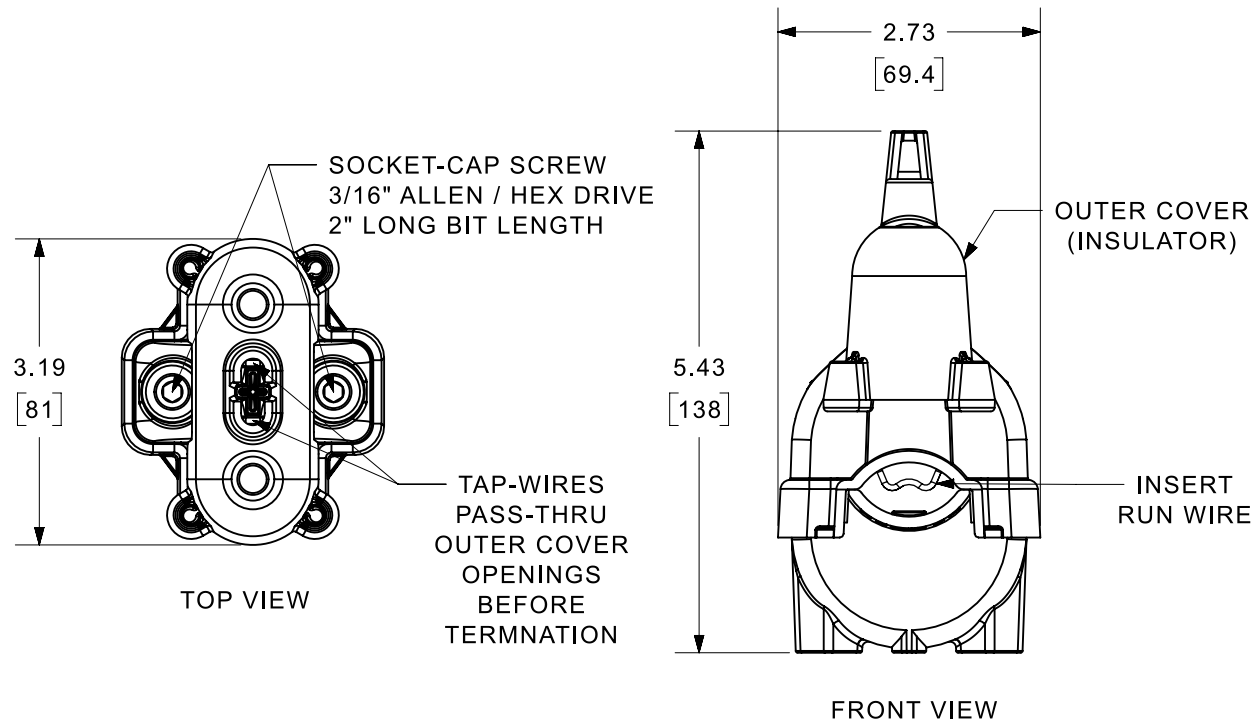


PACKAGE CONTENTS

VERISAFE CONNECTION KIT PART NUMBER	COPPER WIRE ONLY		CONTENTS DESCRIPTION	QTY ITEM IN KIT	ITEM PART NUMBER	CONNECTOR DATA				CONNECTION KIT PACKAGE WEIGHT
	RUN AWG "CODE WIRE" Class B or C	TAP AWG				L (Length)	W (Width)	H (Height)	Connector Weight (approx.)	
	MIN.	MAX.				REQUIRED	inch [mm]	inch [mm]	inch [mm]	
VS-CKP1K4/0-500	4/0 STR	500MCM STR	14 STR Class K (VeriSafe AVT Sensor Leads)	3	VSC1K4/0	3.19 [81]	2.73 [69.4]	5.91 [150.2] at MAX. AWG	9.85 [279]	2.11 [0.955]
			FERRULES	12	F80-12	-	-	-	-	



ISOMETRIC VIEW



NOTES:

- VISIT PANDUIT ON-LINE CATALOG AT WWW.PANDUIT.COM FOR A LIST OF CURRENT PARTS APPLICABLE FOR USE WITH THIS PRODUCT.
- DIMENSIONS IN [] ARE METRIC.
- ALL MATERIALS AND COMPONENTS USED MEET THE MATERIAL RESTRICTIONS OF RoHS (EUROPEAN DIRECTIVE 2011/65/EU ON THE RESTRICTION OF HAZARDOUS SUBSTANCES)
- KIT WEIGHT: 2.11 lb [955 grams]
- KIT CONTENTS INCLUDE: SEE TABLE 1
- CONNECTOR IS cULus LISTED TO UL486A-B
 - UL FILE NO. E52164
 - UL CATEGORY CODE NO's: ZMvV/ZMvV7
 - MAX VOLTAGE = 1000V
 - MAX TEMPERATURE = 90 deg C
- CONNECTOR IS NOT RATED FOR INSTALLATION ON FLEXIBLE-STRANDED RUN WIRE.

REV	DATE	BY	CHK	APR	DESCRIPTION	ECN
03A	2/10/2021	BKA	BKA	BKA	RELEASE	088985

PART NUMBER		VS-CKP1K4/0-500	
TITLE			
1kV-rated VeriSafe Insulation Piercing Connection Kit for Tapping AWG 4/0 to 500MCM copper conductors.			
CUSTOMER DRAWING			
ITEM REVISION NAME		00126BAG/03	
DATASET FILE NAME		00126BAG_DC/03A	
UNLESS OTHERWISE SPECIFIED, DIMENSIONAL TOLERANCES ARE: IN [mm]			
.x ± .1 [2.54]		.xxx ± .005 [.127]	
.xx ± .01 [.25]		ANGLES ± 5°	
DRAWN BY		DATE	
BKA		2/10/2021	
CHK		SCALE	
BKA		NONE	
MATERIAL:		SEE PACKAGE CONTENTS	
DRAWING NUMBER:		00126BAG-DC	
SHT 1 OF 1		B	