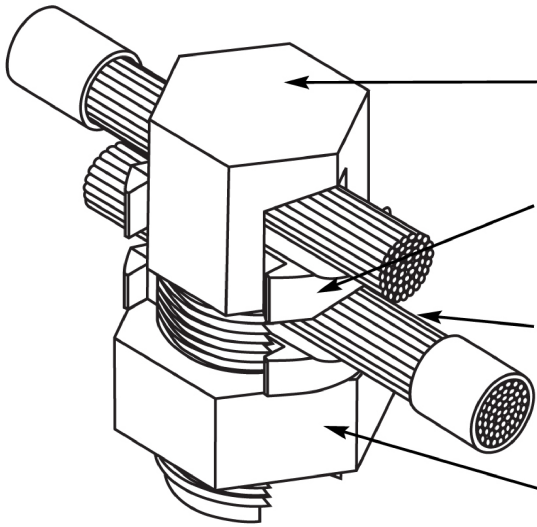




222-PC

ALUMINUM SPLIT BOLT INSTALLATION



CONNECTOR: See that wire size is within range stamped on split bolt head.

SPACER BAR: Used to separate conductors of dissimilar materials.

WIRE: Strip wire immediately prior to installation. Do not score strands. Clean wire strands with a wire brush or abrasive cloth.

NUT: Tighten nut to torque shown on torque chart or package label.

INSTALLATION: Connector surface must be in full contact with stripped wire strands and must not ride up on insulation.

PANDUIT PART NUMBERS INCLUDE:

SBA2

SBA4

SBA6

SBA1/0

SBA2/0

SBA4/0

SBA350

SBA500



AL9CU
LISTED
670B



CERTIFIED
(Except
SBA350,
SBA500)

For Instructions in Local Languages
and Technical Support:

www.panduit.com/resources/install_maintain.asp

PANDUIT

www.panduit.com

E-mail:
cs@panduit.com

Phone:
800-777-3300