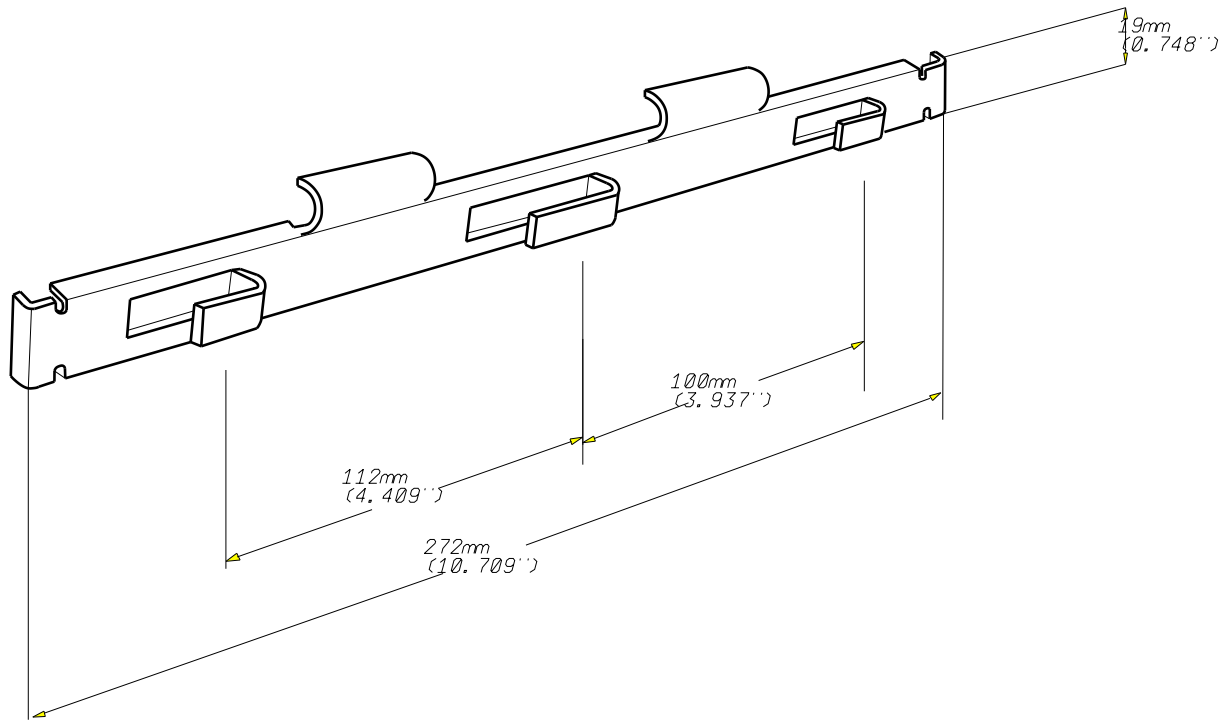


ECLISSE EDS  
EDS SPLICE

INOX 304L

**legrand**® CABLE  
MANAGEMENT

FT0073-8 04-16



REF	CODE	POIDS (kg)	WEIGHT (lb)
EDS	558 278	0.120	0.265

ÉPAISSEUR / THICKNESS	2 (0.08")	NORMES / STANDARD
MATIÈRE / MATERIAL	X2 Cr Ni 18-9	EN 10 088-2
PROTECTION / COATING	INOX 304L	