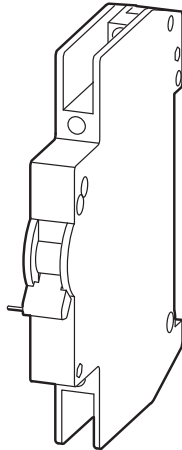
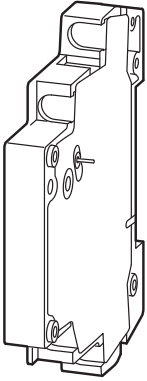




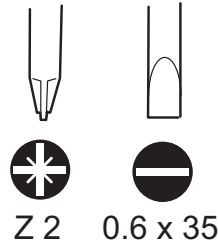
**FIP-XHI11**  
**FIP-XAM002**

FIP-XHI11

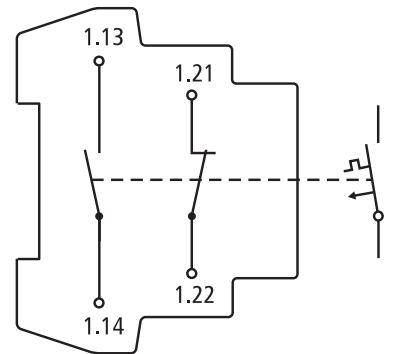
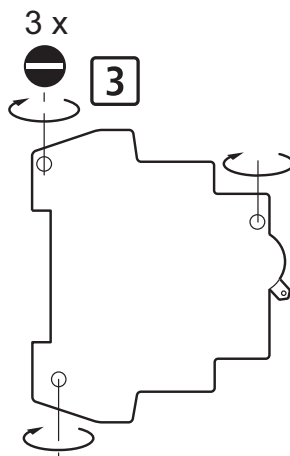
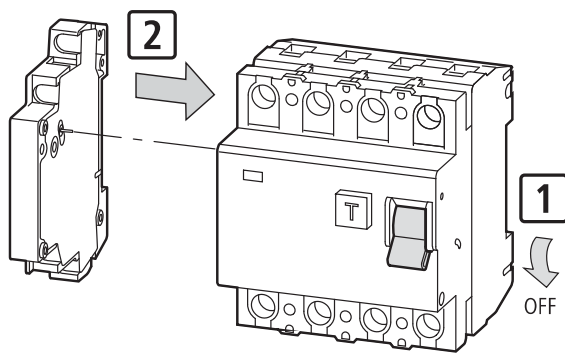
FIP-XAM002



	1 x 0.5 - 2.5 mm <sup>2</sup>	0.8 Nm
	1 x 0.5 - 2.5 mm <sup>2</sup>	
DIN 46 228		



**FI(P)(S)+FIP-XHI11**



# FI(P)(S)+FIP-XAM002

