

# LOGIC F



Correcte verwijdering van dit product (Elektrische & elektronische afvalapparatuur)  
 Comment éliminer ce produit (Déchets d'équipements électriques et électroniques)  
 Korrekte Entsorgung dieses Produkts (Elektronmüll)  
 Correct disposal of this product (Waste electrical & electronic equipment)  
 Eliminación correcta de este producto (Material eléctrico y electrónico de descarte)  
 Corretto smaltimento del prodotto (Rifiuti elettrici ed elettronici)

Enkel geschikt voor toestellen op zeer lage spanning (minder dan 50V AC)  
 Convient uniquement pour les produits à très basse tension (moins de 50V AC)  
 Geeignet für Güter mit sehr niedriger Spannung (unter 50V AC)  
 Only suited for goods at very low voltage (below 50V AC)  
 Se recomienda únicamente para aquellos productos de tensión muy baja (menos de 50V AC)  
 Vale unicamente per i prodotti a tensione molto bassa (inferiore a 50V AC)

Bevestiging wand inbouw  
 Montage mur encastré  
 Montage wand eingebaut  
 Fixation wall recessed  
 Montaje pared empotrada  
 Montaggio parete incasso

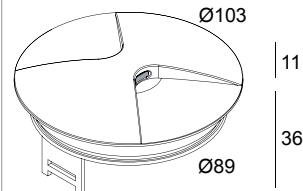
**IP67** Stofdicht - Beschermd tegen effecten van tijdelijke indompeling  
 Étanche aux poussières - Protégé contre les effets de l'immersion temporaire  
 Staubdicht - Geschützt gegen vorübergehend Eintaucheffekte  
 Dust-tight - Protected against the effects of temporary immersion  
 Hermético al polvo - Protegido contra los efectos de la inmersión temporal  
 A tenuta di polvere - Protetto contro gli effetti dell'immersione temporanea

Geschikt voor binnen- en buitengebruik, rekening houdend met opgegeven IP-waarden  
 Convient à usage intérieur et extérieur, prenant en compte l'IP indiquée  
 Eignet sich für innen- und aussenbereich, unter Berücksichtigung des angezeigten IP  
 Suitable for indoor and outdoor use, taking the indicated IP rating into consideration  
 Apto para uso interior y exterior en conformidad con el nivel IP indicado  
 Per utilizzo sia in interni che da esterni, da installare tenendo conto del suo grado di protezione (IP)

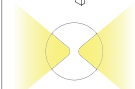
Gelijkstroomtoevoer  
 Alimentation DC  
 GS-Zufuhr  
 DC supply  
 Alimentación de CC  
 Alimentazione CC

# Logic F

Manual/



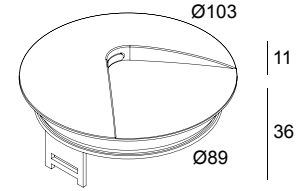
Ø103  
11  
36  
Ø89




Ø 93 x 40  
**LOGIC F2** ◊  
**213 47 122** ◊  
 ◊ = A  
 INCL. 2 x POWERLED WHITE 0,5W / 3000K ●  
 EXCL. LED POWER SUPPLY 24V-DC  
 max. 600kg

IP67

**OPTIONS**  
 GENIE BOX 90R  
 CBOX  
 LED POWER SUPPLY 24V-DC




Ø103  
11  
36  
Ø89



Ø 93 x 40  
**LOGIC F1** ◊  
**213 47 112** ◊  
 ◊ = A  
 INCL. 1 x POWERLED WHITE 0,5W / 3000K ●  
 EXCL. LED POWER SUPPLY 24V-DC  
 max. 600kg

IP67

**OPTIONS**  
 GENIE BOX 90R  
 CBOX  
 LED POWER SUPPLY 24V-DC



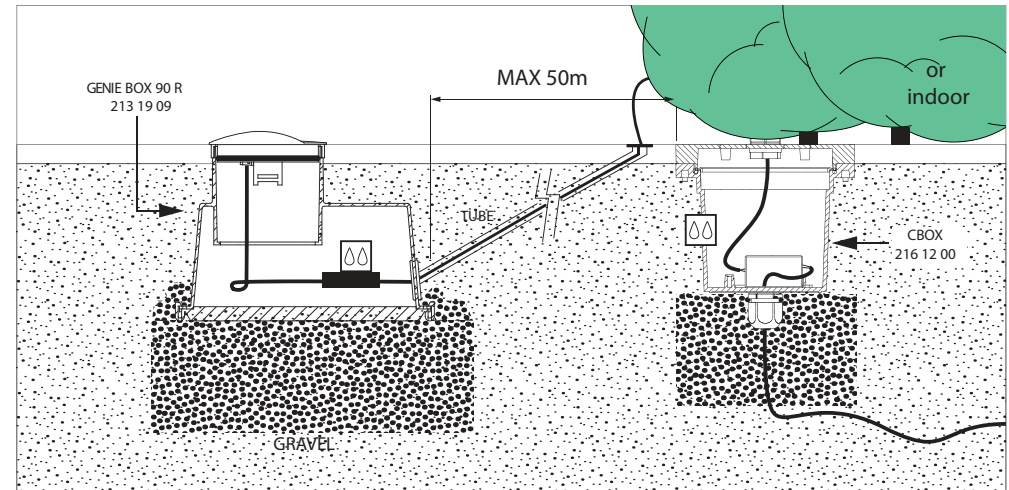
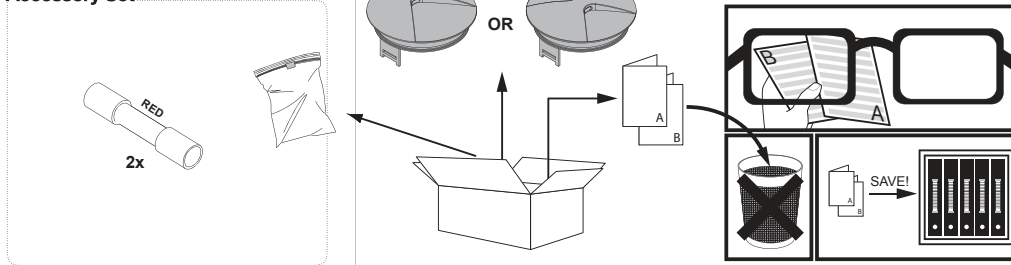
CE L.L.I.B.A.4  
 DEEL  
 PARTIE  
 TEIL  
 PART  
 PARTE  
 PARTE

Ø93 x 40  
T=60°C Ø93

40

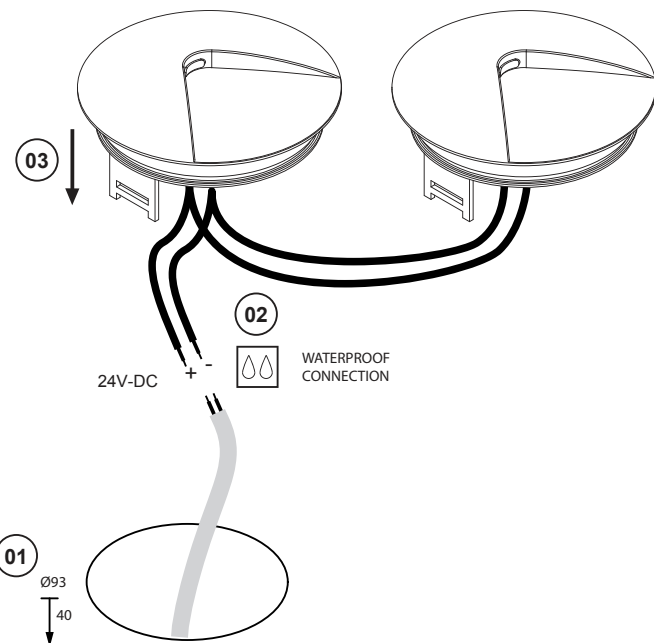
Options		
<b>INSTALLATION</b>		
<b>GENIE BOX 90 R</b> 213 19 09	220 x 155 x 146	224 x 159 x 150
<b>CBOX</b> 216 12 00	140 x 140 x 173	142 x 142 x 300
<b>CONTROL GEAR</b>		
<b>LED POWER SUPPLY</b> 24V-DC / 20W 300 89 24 20	146 x 55 x 19	

Accessory Set



**WARNING**

ANY CLAIM TO A WARRANTY SHALL BECOME NULL AND VOID IF THE DEVICE IS NOT INSTALLED WITH THE SUITABLE BOX (OPTIONAL) PROVIDED BY DELTALIGHT N.V.



**WATERPROOF CONNECT**

02

24V-DC

A

DEVICE

B

HEAT

DEVICE

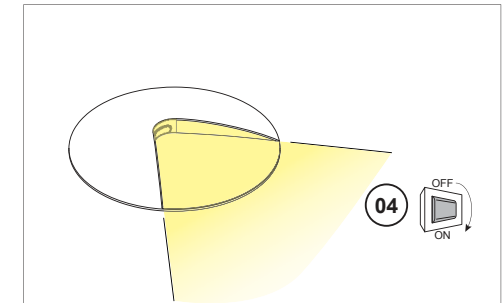
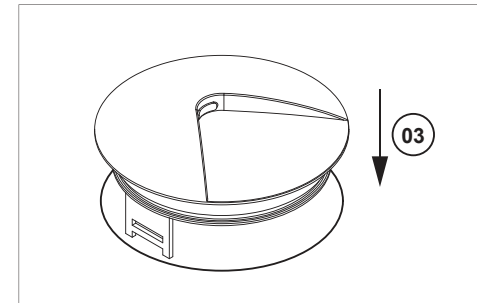
RED or WHITE : +  
BLACK : -

24V DC

230/240V AC

LED POWER SUPPLY  
DELIVERED SEPARATELY  
Ref.: 300 89 24 20

MAX. 40 LED MODULES F1 / POWER SUPPLY  
MAX. 20 LED MODULES F2 / POWER SUPPLY



- Use only power supplies that are certified according to the applicable IEC or UL safety standards.
- Use only SELV power supplies.
- Check the ratings of the power supply with those of the luminaire. The indicated typical voltage must not be used to select a constant voltage power supply but is intended to select a constant current power supply that is able to cover that typical voltage.
- Take appropriate ESD measures. Avoid touching bare conductors.
- Leds or led luminaires that require current controlled power supply must never be connected in parallel.
- Leds can be damaged by the contact with certain chemicals or chemical gasses. Therefore led domes or led engines should never be cleaned with chemical substances. The following substances have proven to have a negative influence on the performance and must not be used in the direct environment of the led luminaire:
  - Methyl acetate or ethyl acetate (i.e., nail polish remover)
  - Cyanoacrylates (i.e., "Superglue")
  - Glycol ethers (including Radio Shack® Precision Electronics Cleaner - dipropylene glycol monomethyl ether)
  - Formaldehyde or butadiene (including Ashland PLIOBOND® adhesive)
  - Dymax 984-LVUF conformal coating
  - Loctite Sumo Glue
  - Gorilla Glue
  - Bleach, Bleach-containing cleaners, sprays
  - Loctite 384 adhesive
  - Loctite 7387 activator
  - Loctite 242 threadlocker
- Remove insulation and/or provide sufficient ventilation so that the indicated max. Tc is not surpassed.
- Leds are susceptible to switching transients. therefore switching must be done in the primary circuit of the power supply.
- DELTA LIGHT recommends to use the power supplies that are indicated in the Lighting Bible.
- Respect polarity.
- Don't test led luminaires one by one on a power supply that is switched on.