

Contents:		
Parts included with all enclosures:		
1 - ENCLOSURE	1 - LASER WARNING LABEL	
2 - CABLE ENTRY GROMMETS	1 - FWMEHKIT	
2 - STRAIN RELIEF BRACKETS	3 - #10-32 HEX NUTS	
4 - BLACK CABLE TIES	2 - #10-32 x 3/8" SCREWS	
1 - FIBER CAUTION LABEL	1 - FLAT WASHER	
Additional parts included with FWME4, FWME8 enclosures:		Additional parts included with FWME2 enclosures:
4 - BEVELED ENTRY CLIPS		1 - BEVELED ENTRY CLIPS
2 - PORT I.D. LABELS		1 - PORT I.D. LABELS

Assembly Instructions:

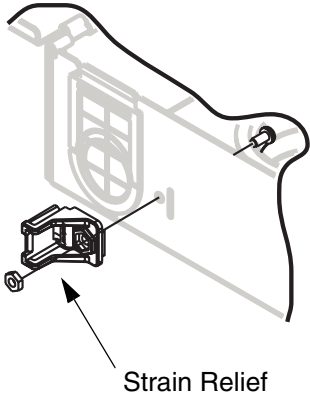
- Determine the cable entry location on the enclosure. Remove the knockout by inserting a screwdriver into the slot located in the center of the knockout and applying a twisting motion from the inside of the enclosure twisting out. Insert grommet following proper cutting diagram. Apply Laser Warning Label and Caution Label on the inside of the larger door in a clearly visible location. Apply Port I.D. Label(s) on the inside of the small door (as shown).

Cut the small circle for 1" dia. innerduct

Cut the large circle for 1-1/2" dia. innerduct

Cut the straight lines when not using any innerduct

2. Install strain relief in slot next to grommet with the #10-32 x 3/8" screw and #10-32 hex nut provided.

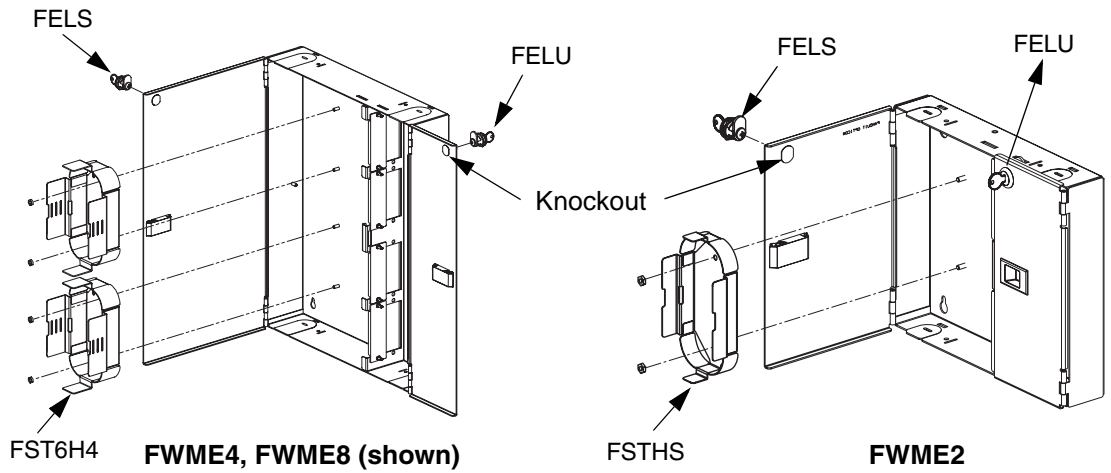


Optional Accessories

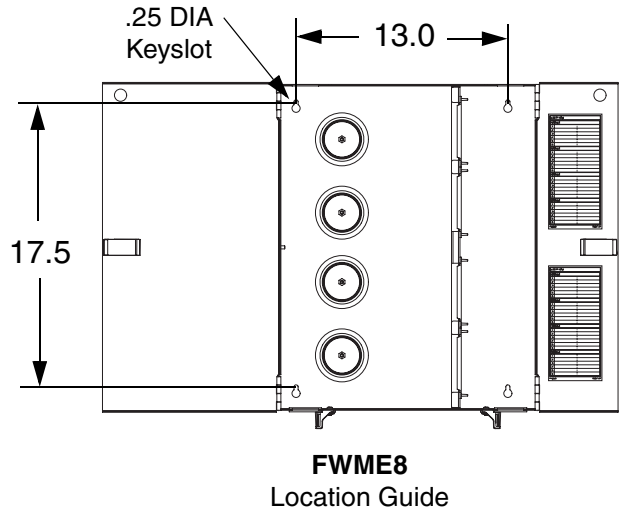
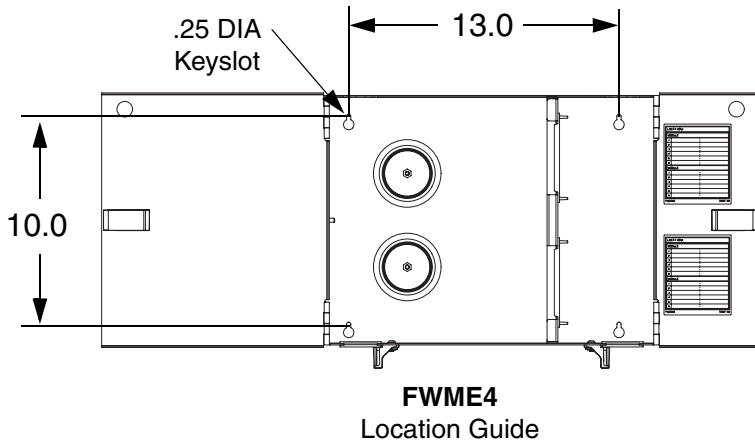
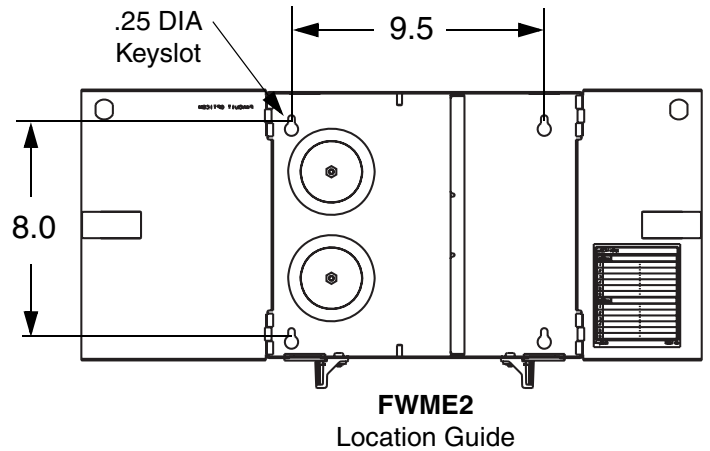
3a. Locks: FELS, FELU

Remove appropriate knockout in door to install lock.

3b. Splice Tray Holder: FST6H4, FSTHS (Note: FWME4 uses one FST6H4). Remove fiber spools and install appropriate splice tray holder using existing #10-32 nuts.



4. Mount enclosure to wall using the appropriate location guide on this page. Mounting hardware not provided.



For Instructions in Local Languages and Technical Support:

www.panduit.com/resources/install_maintain.asp



www.panduit.com

E-mail: cs@panduit.com

Fax: (708) 444-6993