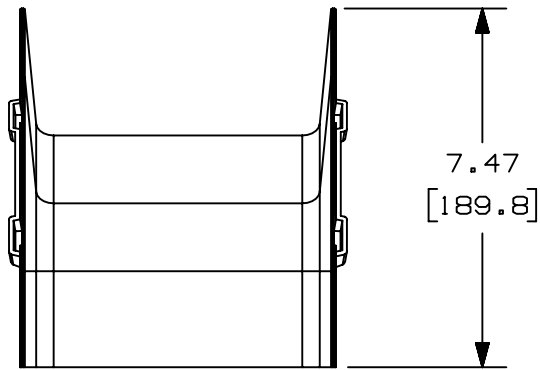


THIS COPY IS PROVIDED ON A RESTRICTED BASIS AND IS NOT TO BE USED IN ANY WAY DETRIMENTAL TO THE INTERESTS OF PANDUIT CORP.

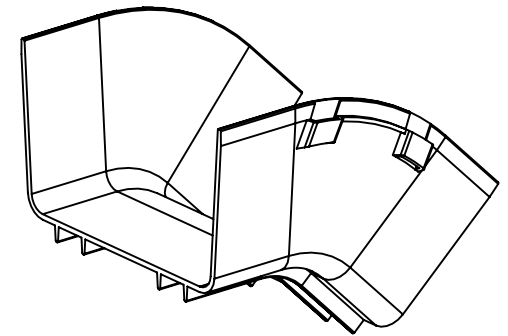
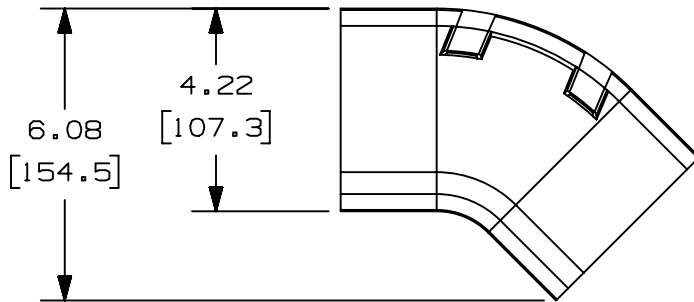
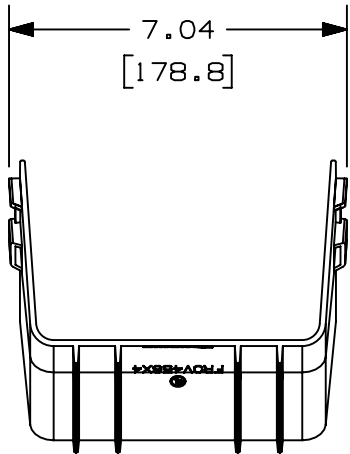


PANDUIT PART NUMBER	WEIGHT	MATERIAL
FROV456X4**	0.5 LB/EACH (227g/EACH)	ABS
FROV456X4L**	0.5 LB/EACH (227g/EACH)	PC/ABS



NOTES:

1. SEE CURRENT CATALOG FOR ADDITIONAL PART SUFFIXES TO INDICATE COLOR AND/OR PACKAGE QUANTITY.
2. THE FIBERRUNNER 6x4 OUTSIDE VERTICAL 45° ANGLE FITTING IS DESIGNED WITH A MINIMUM 2" (50.8) BEND RADIUS TO PROTECT FIBER OPTIC CABLES.
3. DIMENSIONS IN PARENTHESES ARE IN METRIC.



TITLE
FIBERRUNNER 6x4 OUTSIDE VERTICAL
45° ANGLE FITTING (FROV456X4, FROV456X4L**)**

ITEM REVISION NAME
 D37185EP/01

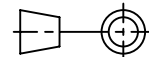
DATASET FILE NAME
 D37185EP/01



UNLESS OTHERWISE SPECIFIED,
 DIMENSIONAL TOLERANCES ARE:
 (.X) ± (.XXX) ±
 (.XX) ± .03 (.8) ANGLES ±

MATERIAL:
 SEE PART NUMBER
 TABLE ABOVE

DRAWING NUMBER:
 37185-62



**THIRD ANGLE
 PROJECTION**

REV	DATE	BY	CHK	APR	DESCRIPTION	ECN
03A	1-15-20	MES	DWR	DWR	I. ADDED FROV456X4L** PART NUMBER	V09002DZ/01

DRAWN BY REWE	DATE 5-1-00	CHK HIW	SCALE NONE	SHT 1 OF 1	SIZE A
-------------------------	-----------------------	-------------------	----------------------	-------------------	------------------