



Three-phase energy meters
DMED302MID
Three-phase + neutral
4

Product designation

Product type designation

Type

DIN rail module number

Auxiliary supply Us

Operational frequency

min Hz 50

Power consumption

Max VA 20

Power dissipation Max

W 1.35

Measuring voltage inputs

Rated voltage (Ue)

phase-phase VAC 400
phase-neutral VAC 230

Operating voltage range

phase-phase VAC 323...456
phase-neutral VAC 187...264

Connection method

Direct

Current

IEC maximum (Imax)

A 80

IEC minimum (Imin)

A 0.5

IEC rated (Iref-Ib)

A 10

IEC start (Ist)

mA 40

Transition (Itr)

A 1

Accuracy

Active energy Class B (EN 50470-3)

Reactive energy Class 2 (IEC/EN 62053-23)

Output characteristics

LED Pulse rate

pulse/kWh 1000

LED Pulse duration

ms 30

Static output external voltage

VDC 10...30

Static outputs Maximum current

mA 50

Insulations

Rated insulation voltage Ui IEC/EN

V 250

Rated impulse withstand voltage Uimp

kV 6

Operating frequency withstand voltage

kV 4

Mechanical features

Housing type

Polyamide

Terminals type

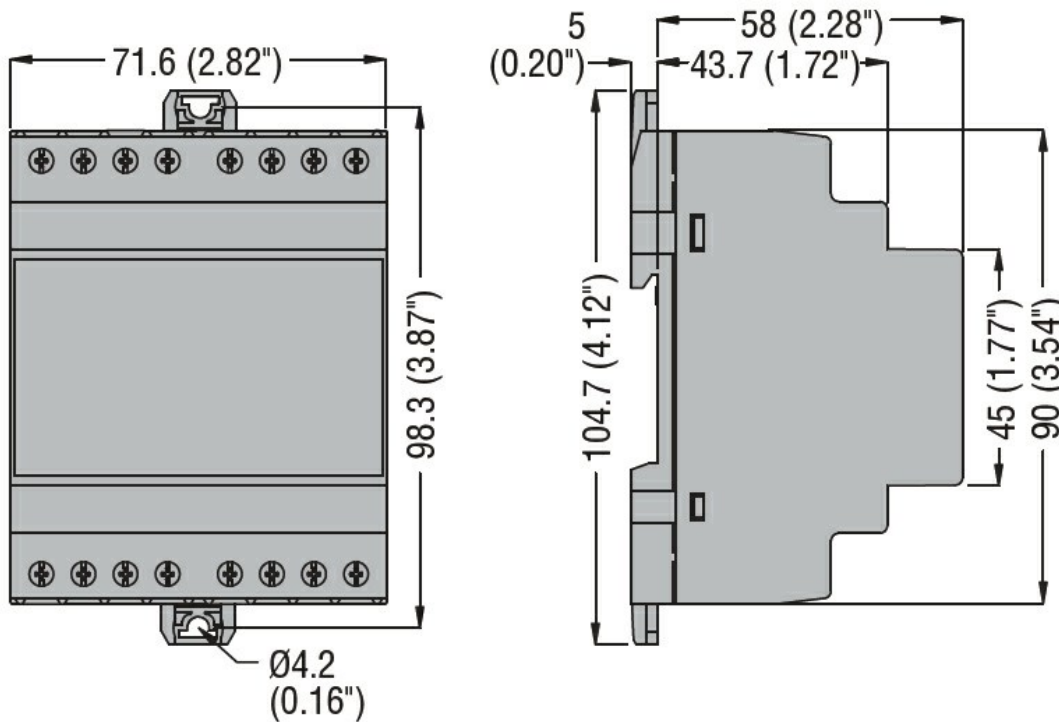
Fixed

Conductor cross section

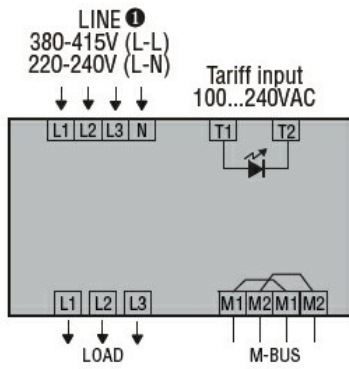
min mm² 2.5

	Max	mm ²	25
	min	AWG	14
	Max	AWG	4
Tightening torque (Max)		Nm	2
		lbin	17.7
Fixing			Din rail
Weight		g	360
Ambient conditions			
Temperature			
Operating temperature			
	min	°C	-25
	max	°C	+55
Storage temperature			
	min	°C	-25
	max	°C	+70
Relative humidity		%	<80
Maximum Pollution degree			2
Mechanical environment			Class M1
Magnetic environment			Class E2

Dimensions



Wiring diagrams



Certifications and compliance

Compliance

EN50470-1

EN50470-3

TR 50579

Certificates

EAC

MID (moduli B + D)

RCM

ETIM classification

ETIM 8.0

EC001506 -
Kilowatt-hour
meter