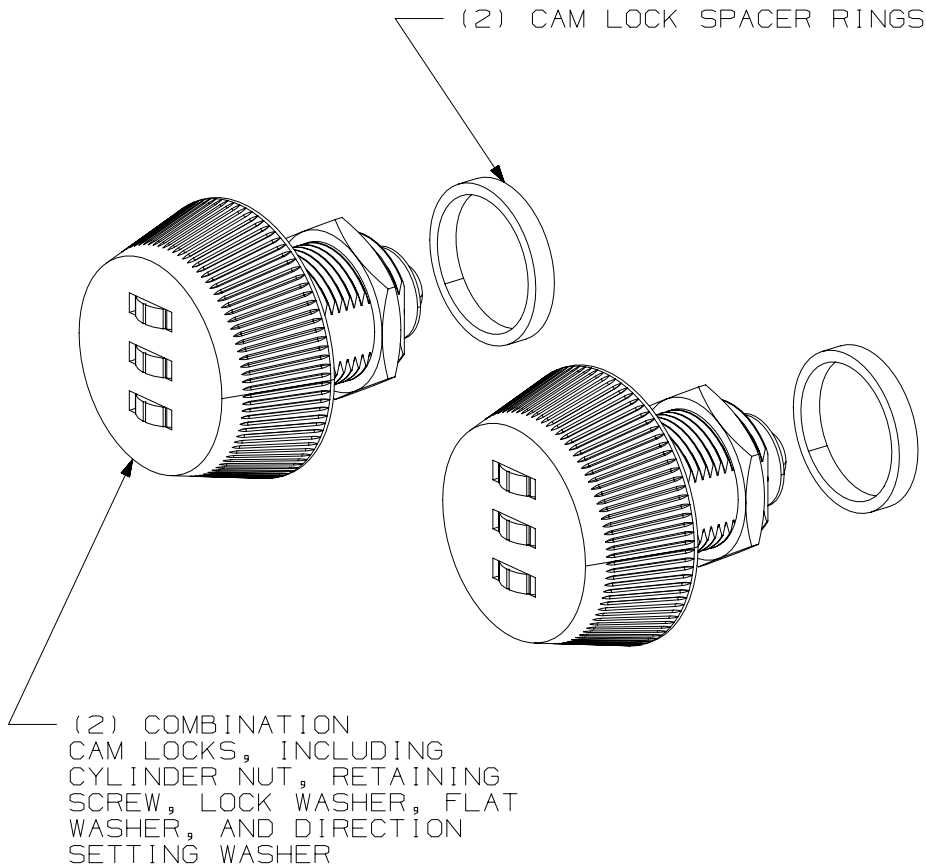
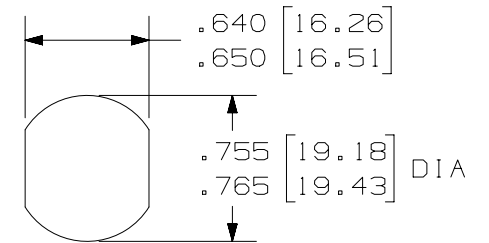


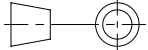

THIS COPY IS PROVIDED ON A RESTRICTED BASIS AND IS NOT TO BE USED IN ANY WAY DETRIMENTAL TO THE INTERESTS OF PANDUIT CORP.

- NOTES:
- VISIT OUR ON-LINE CATALOG AT WWW.PANDUIT.COM FOR A LIST OF CURRENT PARTS APPLICABLE FOR USE WITH THIS PRODUCT.
  - DIMENSIONS IN [ ] ARE METRIC.
  - WEIGHT: 10 oz [293.5 g]
  - KIT INCLUDES:
    - 2- COMBINATION LOCKS
    - 2- SPACER RINGS
    - 2- CYLINDER NUTS
    - 2- RETAINING SCREWS
    - 2- LOCK WASHERS
    - 2- FLAT WASHERS
    - 2- DIRECTION SETTING WASHERS
  - COLOR: BLACK
  - RoHS DIRECTIVE IS NOT APPLICABLE.



MOUNTING CUTOUT



PART NUMBER		PZWMC - CL	
TITLE		COMBINATION CAM LOCK KIT WITH SPACER RINGS	
		CUSTOMER DRAWING	
ITEM REVISION NAME		00198EAX/00	
DATASET FILE NAME		00198EAX_DC/00A	
 THIRD ANGLE PROJECTION			
MATERIAL		SEE NOTE 4	
DRAWING NUMBER		00198EAX - DC	
REV	DATE	BY	CHK
00A	2-22-19	BJN	KZU
DESCRIPTION		APR	ECN
RELEASED TO PRODUCTION			00198EAX-DC
		SCALE	SIZE
		NONE	A

A-SIZE CUSTOMER

2

1

2

1