

Part number

MZVW 15 L20



Hood, W-TYPE series, with 2 pegs, M20 top cable entry, size "49.16"

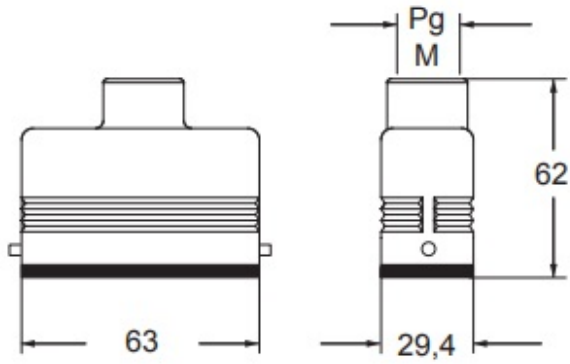
Product description		Material properties	
Product type	Hood	Other materials	Gasket: FKM
Series	W-TYPE	Colour	RAL 9005 black
Closing type	With 2 pegs	RoHs conformity	Compliant
Size	Size 49.16	China RoHs - EFUP	E
Cable entry	Top cable entry M20	REACH SVHC substances	No
Technical data		Approvals / Standards	
IP degree of protection	IP65 / IP66 / IP69	Certifications	DNV, BV
Further technical details		UL	ECBT2
Weight	78,00 g	cUL	ECBT8
Operating temperature range (min, max)	-40°C...+125°C	General ordering information	
		EAN13 code	8015747154239
		eCl@ss 8.1	27440202
		ETIM 7.0	EC000437
		Packaging Information	
		Sub-packaging weight	0,39 kg
		Sub-packaging description	Plastic packaging
		Sub-packaging quantity	5 Pcs
		Sub-packaging EAN barcode	8015747245760

Part number

MZVW 15 L20



Catalogue drawings



Notes

Dimensions shown in mm are not binding and may be changed without notice.
