



Expansion modules for flush-mount products - input/output EXP1007

Product designation

Product type designation

General characteristics

Description

3 relay outputs to increase number of steps

Functions

Inputs and outputs

Compatibility with LOVATO Electric product

Automatic power factor controllers

DCRL3/5

Yes

DCRG8

Yes

Automatic transfer switch controllers

ATL610

Yes

Input and Output

Digital outputs

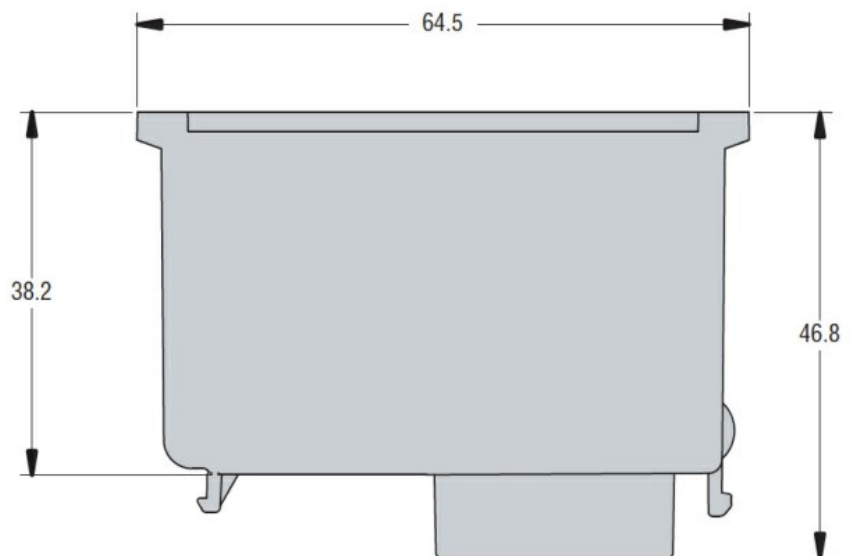
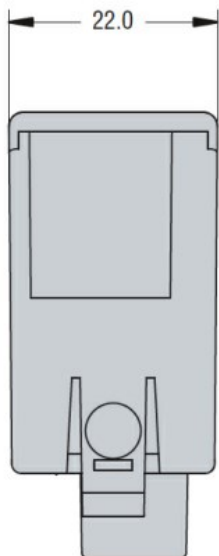
Number of digital output	Nr.	3
--------------------------	-----	---

Mechanical features

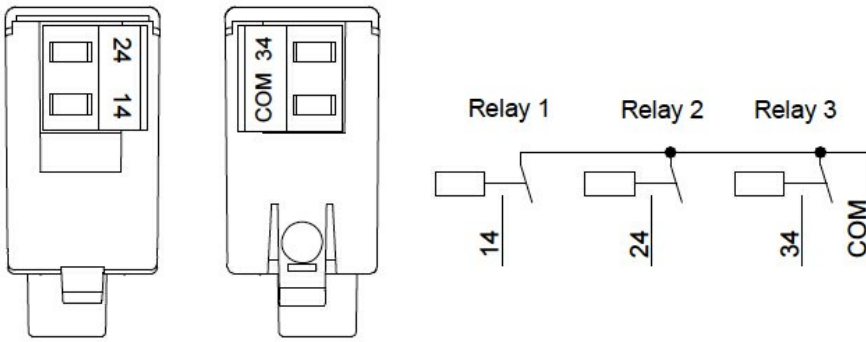
Weight

g 85

Dimensions



Wiring diagrams



Certifications and compliance

Compliance

CSA C22.2 n° 14

IEC/EN 61000-6-2

IEC/EN 61000-6-3

IEC/EN 61010-1

UL508

Certificates

cULus

EAC

ETIM classification

ETIM 8.0

EC002498 -
Accessories/spare
parts for low-
voltage switch
technology