

## 2G7 Lampholders

For single-ended compact fluorescent lamps TC-SEL

2G7 push-fit lampholder

Casing: PBT GF, white, T140, nominal rating: 2/250

Push-in twin terminals: 0.5–1 mm<sup>2</sup> (lamp circuit)

Push-in terminals: 0.5–1 mm<sup>2</sup> (starter circuit)

Rear fixing hole for self-tapping screw  
acc. to ISO 1481/7049-ST4.2-C/F

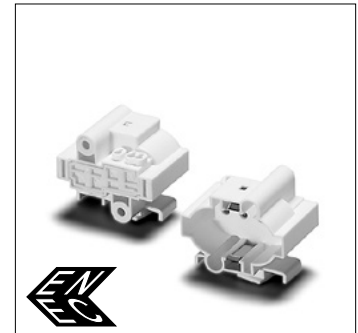
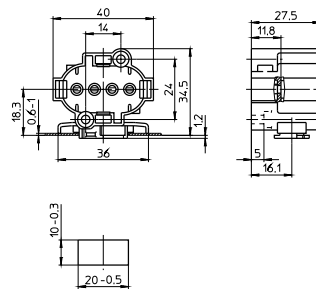
Front fixing holes for screws M3

Locking of the lampholder by a 15° turn

Weight: 13.7 g, unit: 500 pcs.

Type: 35610

**Ref. No.: 109235**



2G7 push-fit lampholder

Casing: PBT GF, white, T140

Nominal rating: 2/250

Push-in twin terminals: 0.5–1 mm<sup>2</sup> (lamp circuit)

Push-in terminals: 0.5–1 mm<sup>2</sup> (starter circuit)

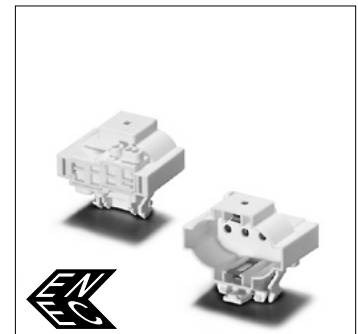
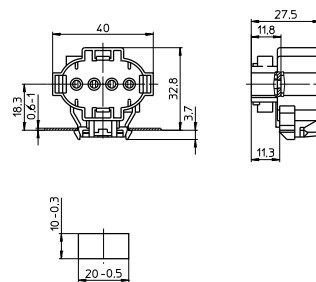
Push-fit foot for cut-out 10x20 mm

for wall thickness 0.6–1 mm

Weight: 18 g, unit: 500 pcs.

Type: 35613

**Ref. No.: 500574**



2G7 surface-mounted lampholder

Casing: PBT GF, white, T140, nominal rating: 2/250

Push-in twin terminals: 0.5–1 mm<sup>2</sup> (lamp circuit)

Push-in terminals: 0.5–1 mm<sup>2</sup> (starter circuit)

Fixing holes for screws M4

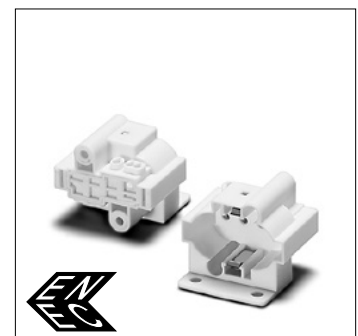
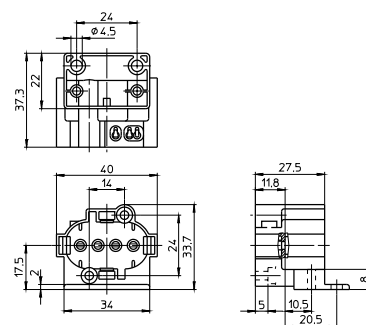
Lateral and rear fixing holes for self-tapping  
screws acc. to ISO 1481/7049-ST4.2-C/F

Front fixing holes for screws M3

Weight: 18.1 g, unit: 500 pcs.

Type: 35611

**Ref. No.: 109238**



2G7 surface-mounted lampholder

Casing: PBT GF, white, T140

Nominal rating: 2/250

Push-in twin terminals: 0.5–1 mm<sup>2</sup> (lamp circuit)

Push-in terminals: 0.5–1 mm<sup>2</sup> (starter circuit)

Rear fixing holes for self-tapping screws

acc. to ISO 1481/7049-ST4.2-C/F

Front fixing holes for screws M3

Weight: 14 g, unit: 500 pcs.

Type: 35612

**Ref. No.: 109240**

