



Product designation				Switch disconnecter
Product type designation				GD
Number of poles		Nr.		2
Operating voltage type				DC
Contact characteristics				
IEC Conventional free air thermal current I _{th}		A		32
Rated insulation voltage U _i IEC/EN		V		1500
Rated impulse withstand voltage U _{imp}		kV		8
Operating current I _e				
	DC21A			
		600V	A	32
		800V	A	32
		1000V	A	32
		1200V	A	25
		1500V	A	20
	DC21B			
		600V	A	32
		800V	A	32
		1000V	A	32
		1200V	A	25
		1500V	A	20
DCPV1				
		Operating current I _e 600V	A	32
		Operating current I _e 800V	A	32
		Operating current I _e 1200V	A	25
		Operating current I _e 1500V	A	20
	DCPV1			
		600V	A	32
		800V	A	32
		1200V	A	25
		1500V	A	20
Power dissipation per pole max			W	1,2
Rated short time current (1s) I _{cw} (rms)			kA	0.5
Mechanical life			cycles	10000
Mechanical features				
Operating position		normal allowable		Vertical plan Any
Fixing				Screw / DIN rail 35mm
Terminals				
		type		Screw with washer
		width	mm	5.6
		height	mm	6.5

Tightening torque for terminals	screw tool		M4 Phillips 1
	min	Nm	1.2
	max	Nm	1.6
	min	lbin	1.3
	max	lbin	1.2

Conductor section	IEC min	mm ²	1
	IEC max	mm ²	10
	AWG/kcmil min		18
	AWG/kcmil max		8

Ambient conditions			
Operating temperature	min	°C	-25
	max	°C	+55

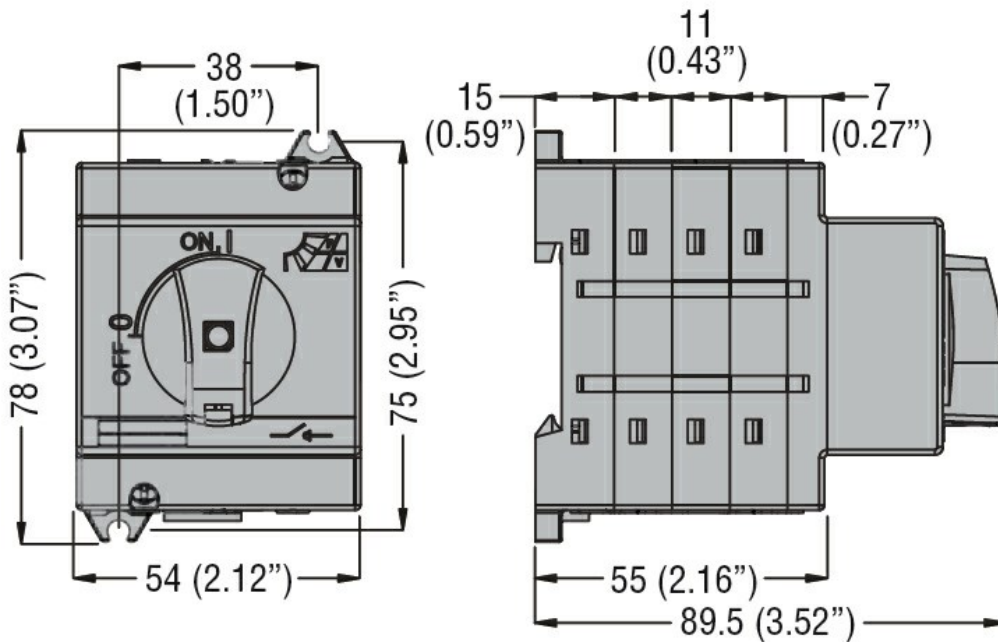
Storage temperature	min	°C	-40
	max	°C	+70

Max altitude	m	3000
--------------	---	------

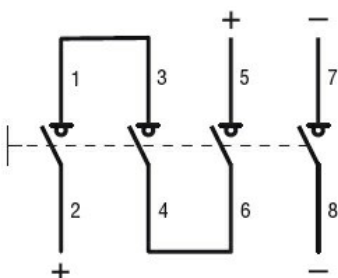
Resistance & Protection

Frontal IP degree	IP20
-------------------	------

Dimensions



Wiring diagrams



Certifications and compliance

Compliance

IEC/EN 60947-1

IEC/EN 60947-3

Certifications

EAC

ETIM classification

ETIM 8.0

EC000216 -
Switch
disconnecter