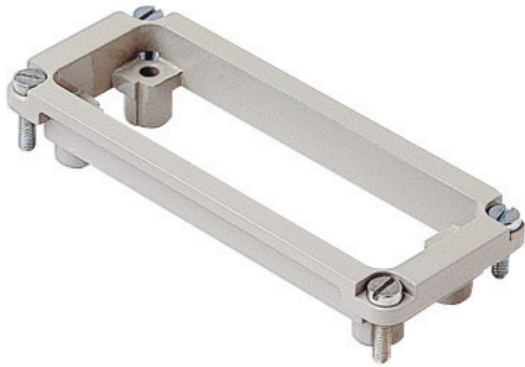


Part number

CR 25/16



Adapter plate, for inserts with 66 x 16 mm screw fixing centre distance

Product description

Product type	Adapter plate
Specification	For inserts with 66 x 16 mm screw fixing centre distance

Further technical details

Weight	9,00 g
---------------	--------

Material properties

RoHs conformity	Compliant with exemption 6(c): copper alloy containing up to 4% lead by weight
China RoHs - EFUP	50
REACH SVHC substances	Yes Lead
SCIP number	14801d82-17fa-4265-94a7-0d37e0c4dc5e

General ordering information

EAN13 code	8015747037761
eCl@ss 8.1	27440201
ETIM 7.0	EC002309

Packaging Information

Sub-packaging weight	0,09 kg
Sub-packaging description	Plastic bag
Sub-packaging quantity	10 Pcs
Sub-packaging EAN barcode	8015747037778

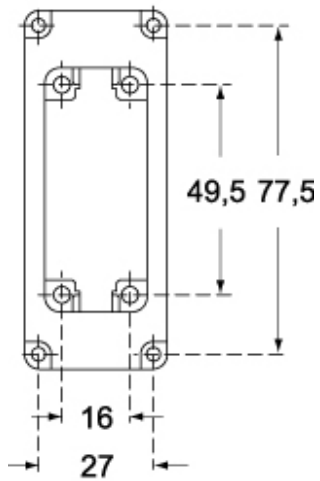
Part number

CR 25/16

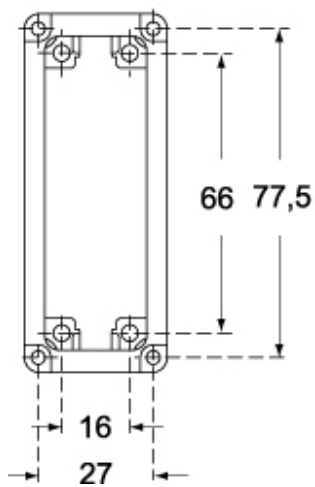


Catalogue drawings

CR 15/16



CR 25/16



Notes

Dimensions shown in mm are not binding and may be changed without notice.