



Product designation				Power contactor
Product type designation				B500
Contact characteristics				
Number of poles	Nr.			4
Rated insulation voltage U_i IEC/EN	V			1000
Rated impulse withstand voltage U_{imp}	kV			8
Operational frequency	min	Hz	25	
	max	Hz	400	
IEC Conventional free air thermal current I_{th}	A			700
Operational current I_e	AC-1 ($\leq 40^\circ\text{C}$)	A	700	
	AC-1 ($\leq 55^\circ\text{C}$)	A	550	
	AC-1 ($\leq 70^\circ\text{C}$)	A	500	
	AC-3 ($\leq 440\text{V} \leq 55^\circ\text{C}$)	A	520	
	AC-4 (400V)	A	240	
Rated operational power AC-1 ($T \leq 40^\circ\text{C}$)	230V	kW	252	
	400V	kW	438	
	500V	kW	575	
	690V	kW	755	
IEC max current I_e in DC1 with $L/R \leq 1\text{ms}$ with 1 poles in series	75V	A	650	
	110V	A	320	
	220V	A	--	
	330V	A	--	
	460V	A	--	
IEC max current I_e in DC1 with $L/R \leq 1\text{ms}$ with 2 poles in series	75V	A	650	
	110V	A	550	
	220V	A	450	
	330V	A	--	
	460V	A	--	
IEC max current I_e in DC1 with $L/R \leq 1\text{ms}$ with 3 poles in series	75V	A	650	
	110V	A	600	
	220V	A	600	
	330V	A	450	
	460V	A	--	
IEC max current I_e in DC1 with $L/R \leq 1\text{ms}$ with 4 poles in series	75V	A	650	
	110V	A	600	
	220V	A	600	
	330V	A	600	
	460V	A	450	

IEC max current I_e in DC3-DC5 with L/R ≤ 15ms with 1 poles in series

75V	A	550
110V	A	320
220V	A	--
330V	A	--
460V	A	--

IEC max current I_e in DC3-DC5 with L/R ≤ 15ms with 2 poles in series

75V	A	550
110V	A	550
220V	A	450
330V	A	--
460V	A	--

IEC max current I_e in DC3-DC5 with L/R ≤ 15ms with 3 poles in series

75V	A	550
110V	A	550
220V	A	550
330V	A	450
460V	A	--

IEC max current I_e in DC3-DC5 with L/R ≤ 15ms with 4 poles in series

75V	A	550
110V	A	550
220V	A	550
330V	A	450
460V	A	450

Short-time allowable current for 10s (IEC/EN60947-1)

A	4050
---	------

Protection fuse

gG (IEC)	A	800
aM (IEC)	A	500

Making capacity (RMS value)

A	5000
---	------

Breaking capacity at voltage

440V	A	5000
500V	A	4500
690V	A	4000

Resistance per pole (average value)

mΩ	0.14
----	------

Power dissipation per pole (average value)

I _{th}	W	68.6
AC-3	W	35

Tightening torque for terminals

min	Nm	35
max	Nm	35
min	I _{bin}	25.8
max	I _{bin}	25.8

Tightening torque for coil terminal

min	Nm	1
max	Nm	1
min	I _{bin}	0.74
max	I _{bin}	0.74

Max number of wires simultaneously connectable

Nr.	2
-----	---

Conductor section

AWG/Kcmil

max	2x 500 kcmil
-----	--------------

Power terminal protection according to IEC/EN 60529

IP00

Mechanical features

Operating position

	normal allowable	Vertical plan ±30°
Fixing		Screw
Weight	g	2175
Conductor section	AWG/kcmil conductor section	
	max	2x 500 kcmil

Operations

Mechanical life	cycles	5000000
Electrical life	cycles	700000

Safety related data

Performance level B10d according to EN/ISO 13489-1

	rated load mechanical load	cycles	700000
		cycles	5000000

Mirror contacts according to IEC/EN 60947-4-1

EMC compatibility

AC coil operating

Rated AC voltage at 50/60Hz, 60Hz

	min	V	380
	max	V	415

AC operating voltage

of 50/60Hz coil powered at 50Hz
pick-up

min	%Us	80
max	%Us	110

drop-out

min	%Us	20
max	%Us	60

of 50/60Hz coil powered at 60Hz
pick-up

min	%Us	80
max	%Us	110

drop-out

min	%Us	20
max	%Us	60

of 60Hz coil powered at 60Hz
pick-up

min	%Us	80
max	%Us	110

drop-out

min	%Us	20
max	%Us	60

AC average coil consumption at 20°C

of 50/60Hz coil powered at 50Hz

in-rush	VA	400
holding	VA	18

of 50/60Hz coil powered at 60Hz

in-rush	VA	400
holding	VA	18

Dissipation at holding ≤20°C 50Hz

W	18
---	----

DC coil operating

DC rated control voltage

		min	V	380
		max	V	415
DC operating voltage				
	pick-up	min	%Us	80
		max	%Us	110
	drop-out	min	%Us	20
		max	%Us	60

Average coil consumption $\leq 20^{\circ}\text{C}$		in-rush	W	400
		holding	W	18

Max cycles frequency

Mechanical operation		cycles/h		1200
----------------------	--	----------	--	------

Operating times

Average time for Us control				
	in AC			
		Closing NO		
			min	ms
			max	ms
		Opening NO		
			min	ms
			max	ms
	in DC			
		Closing NO		
			min	ms
			max	ms
		Opening NO		
			min	ms
			max	ms

UL technical data

General USE				
	Contactor			
		AC current	A	700
Short-circuit protection fuse, 600V				
	Standard fault			
		Short circuit current	kA	18
		Fuse rating	A	1200
		Fuse class		L

Ambient conditions

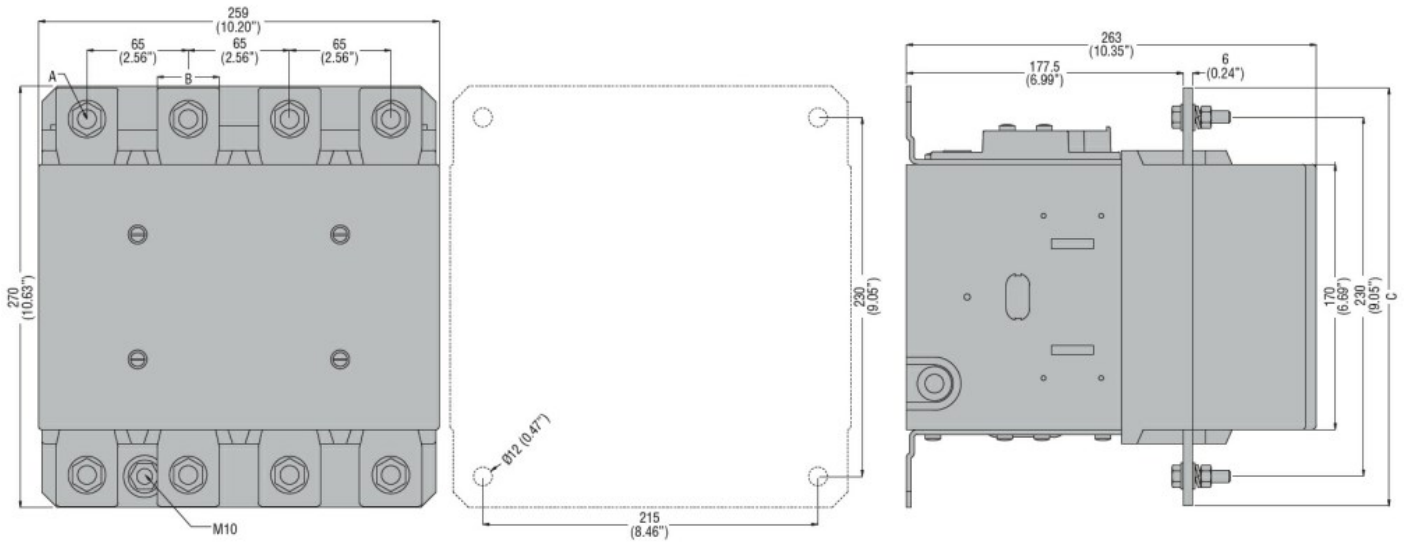
Temperature				
	Operating temperature			
		min	$^{\circ}\text{C}$	-50
		max	$^{\circ}\text{C}$	70
	Storage temperature			
		min	$^{\circ}\text{C}$	-60
		max	$^{\circ}\text{C}$	80

Max altitude		m		3000
--------------	--	---	--	------

Resistance & Protection

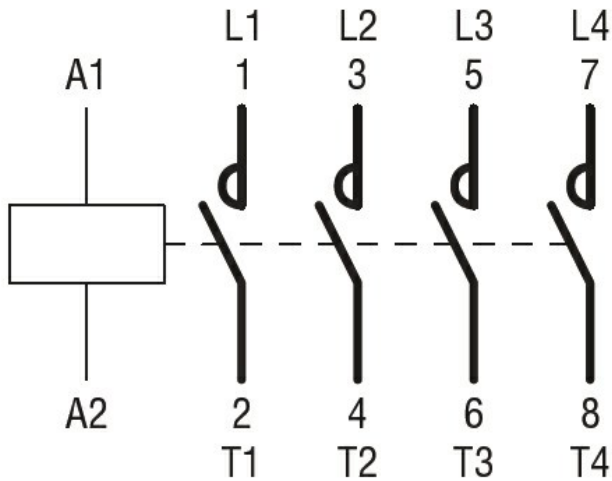
Pollution degree				3
------------------	--	--	--	---

Dimensions



CONTACTOR TYPE	A	B	C
B500	M10	35 (1.38")	265 (10.43")
B630	M12	40 (1.57")	270 (10.63")

Wiring diagrams



Certifications and compliance

Compliance

CSA C22.2 n° 60947-1
CSA C22.2 n° 60947-4-1
IEC/EN 60947-1
IEC/EN 60947-4-1
UL 60947-1
UL 60947-4-1

Certificates

CCC
cULus
EAC

ETIM classification

ETIM 8.0

EC000066 -
Power contactor,
AC switching