



| | | | |
|--|----------------------------|----------|----------|
| Product designation | Assembled miniature relays | | |
| Product type designation | HR502C | | |
| Contact characteristics | | | |
| Contact configuration | 2 C/O | | |
| Rated insulation voltage U_i IEC/EN | V | 250 | |
| Rated impulse withstand voltage U_{imp} | kV | 6 | |
| IEC Conventional free air thermal current I_{th} | A | 8 | |
| Maximum instantaneous current | A | 10 | |
| Rated current (I_n) | A | 8 | |
| Relay control voltage | V | 24VAC | |
| Max contrrollable power in | | | |
| | AC-1 | W | 2000 |
| | AC-15 | VA | 150 |
| Rated operating power AC-1 | | VA | 2000 |
| Rated operating power AC-15 | 230 VAC | VA | 150 |
| Rated operating current DC-1 | | | |
| | 30V | A | 8 |
| | 110V | A | 0.3 |
| | 220V | A | 0.1 |
| Minimum switching load | V / mA | 5 / 100 | |
| Contact impedance | m Ω | 100 | |
| Contact material | Ag/Ni | | |
| Operating times | | | |
| Closing | ms | <15 | |
| Opening | ms | <15 | |
| Operations | | | |
| Mechanical life | cycles | 10000000 | |
| Electrical life AC1 | cycles | 50000 | |
| Coil characteristics | | | |
| Average coil consumption AC at 20°C | VA | 1 | |
| Average coil consumption DC at 20°C | W | 0.4 | |
| Operating range | | | |
| | Closing | % U_n | 70...110 |
| | Opening | % U_n | 20...55 |
| Maximum cycle frequency | cycles/h | 3600 | |
| Mechanical features | | | |
| Max socket terminal tightening torque | Nm | 0.6 | |
| Socket screw tightening tool (cross / flat blade) | PH1 / 4.5mm | | |
| Conductor section | | | |
| | AWG/Kcmil | | |
| | min | 20 | |
| | max | 14 | |

| | | | |
|--------------------|---------------------------------|-----------------|-----|
| IEC | min | mm ² | 0.5 |
| | max | mm ² | 2.5 |
| Operating position | normal | Any | |
| Fixing | On 35mm DIN rail and with screw | | |

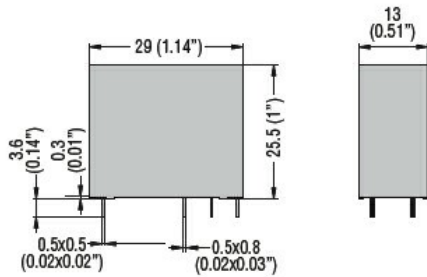
Ambient conditions

| | | | | |
|-------------|-----------------------|-----|----|-----|
| Temperature | Operating temperature | min | °C | -40 |
| | | max | °C | +70 |
| | Storage temperature | min | °C | -40 |
| | | max | °C | +85 |

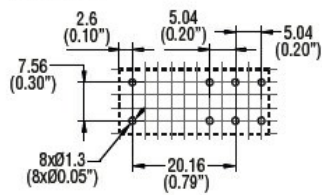
Other features

| | |
|---------------------------------------|-----|
| Indication | Yes |
| Mechanical contact position indicator | Yes |
| Mechanical test actuator | Yes |

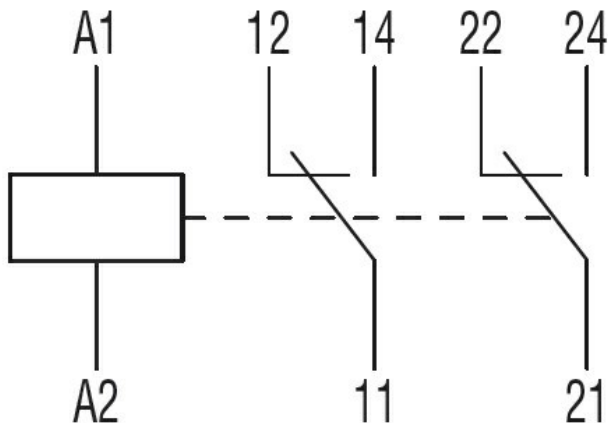
Dimensions



PCB layout



Wiring diagrams



Certifications and compliance

Compliance

IEC/EN 61810

ETIM classification

ETIM 8.0

EC001437 -
Switching relay