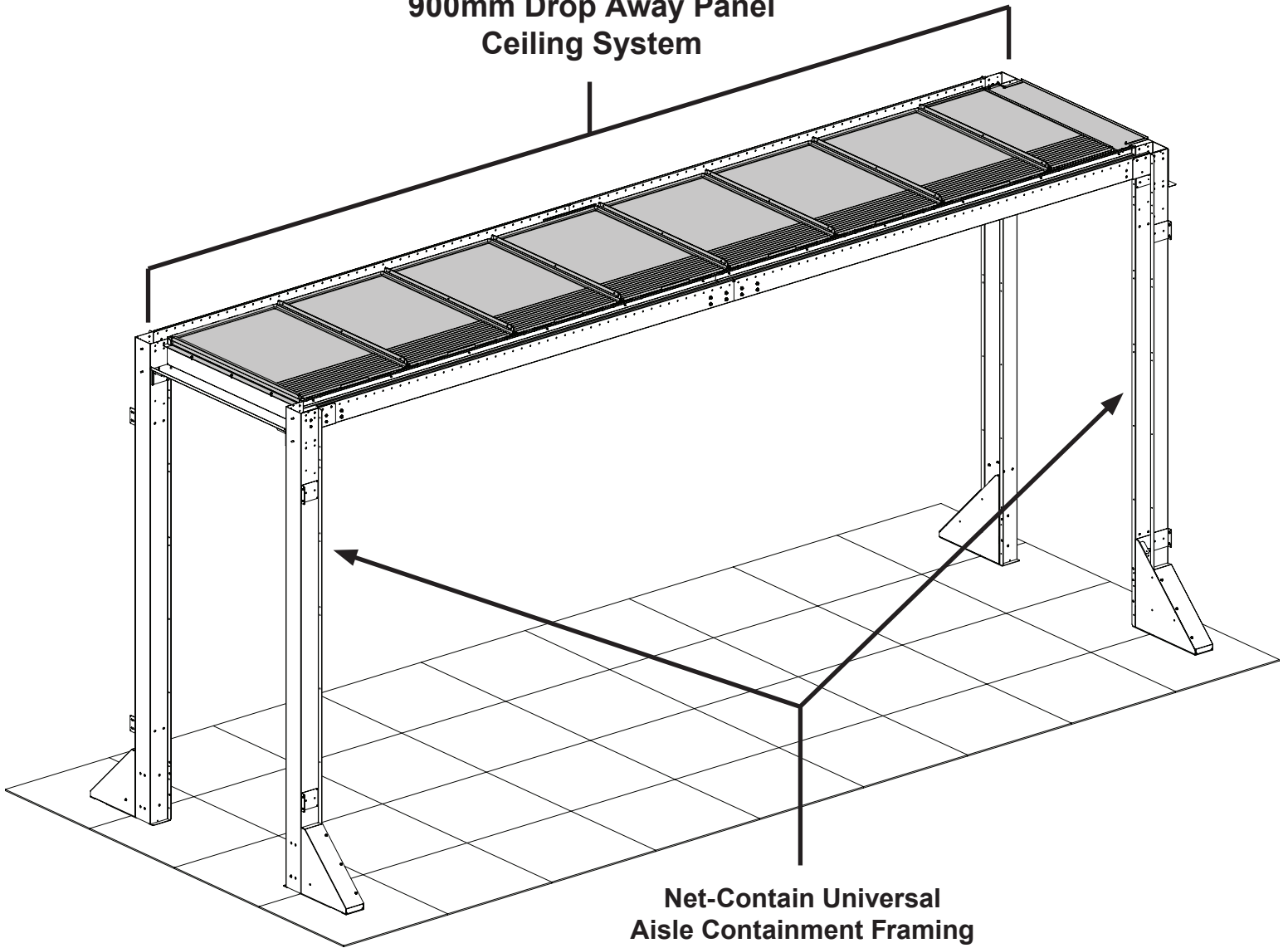


900mm Drop Away Panel Ceiling System



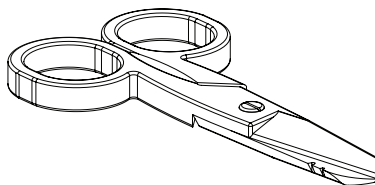
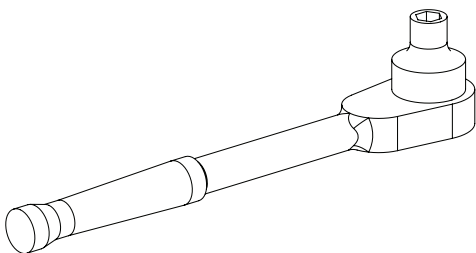
Net-Contain Universal Aisle Containment Framing

Not Included

(See Installation Instruction V00029JB)

Tool List:

- 7mm Socket Wrench
- Scissors

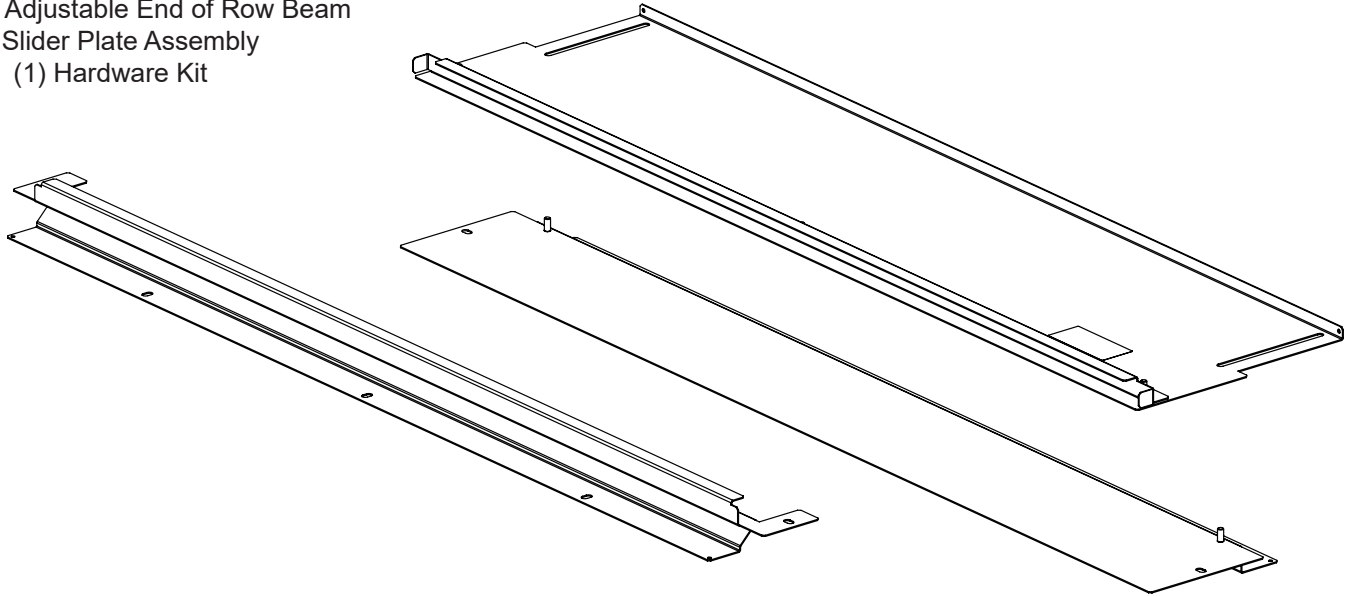


Component Guide for 900mm Drop Away Panel Ceiling System

900mm End of Row Kit

CUEORF03DP**

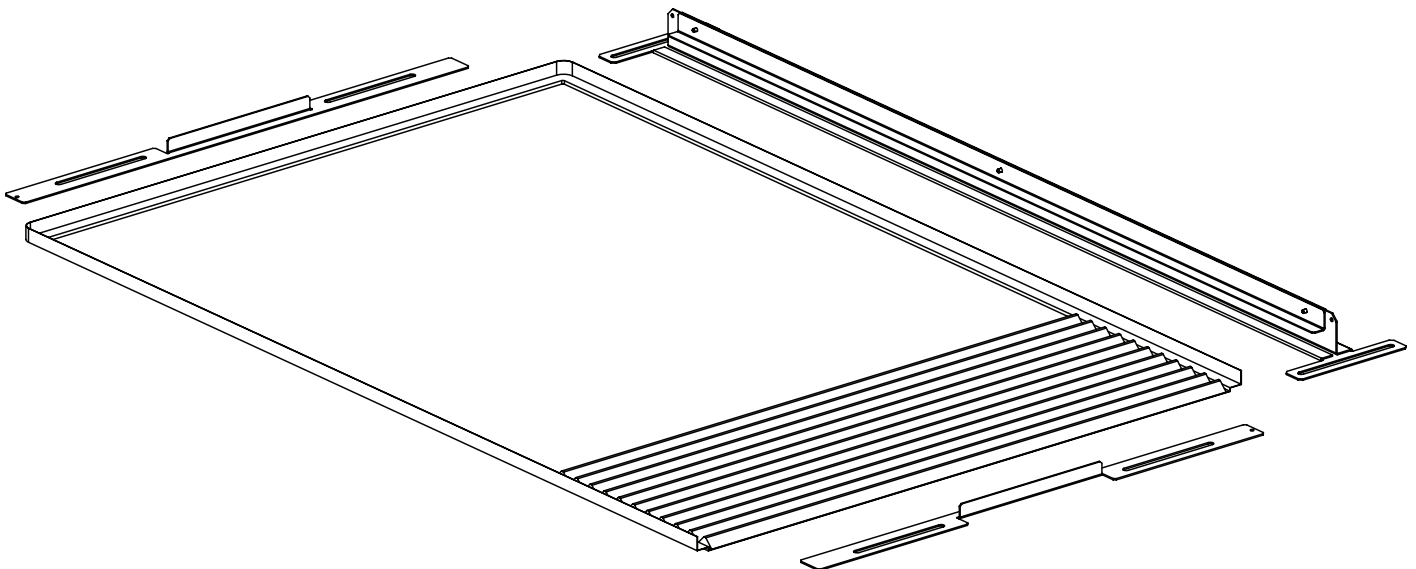
- (1) 900mm End of Row Beam
- (1) 900mm Adjustable End of Row Beam
- (1) Slider Plate Assembly
- (1) Hardware Kit



900mm Ceiling Grid

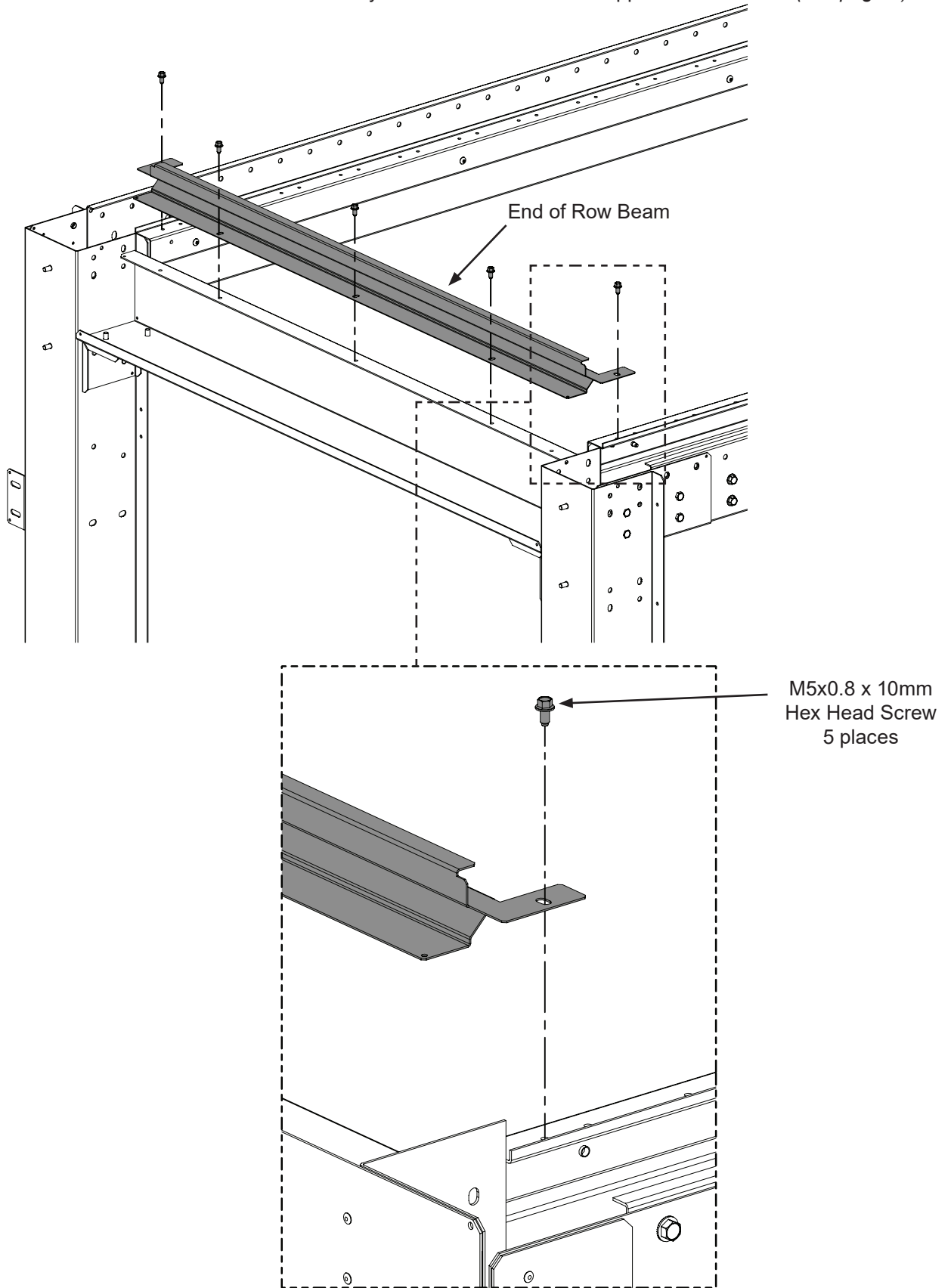
CUCGF03DP**

- (1) 900mm Aisle Beam Assembly
- (1) 2x3 Drop Away Panel
- (2) Progression Plate
- (1) Hardware Kit



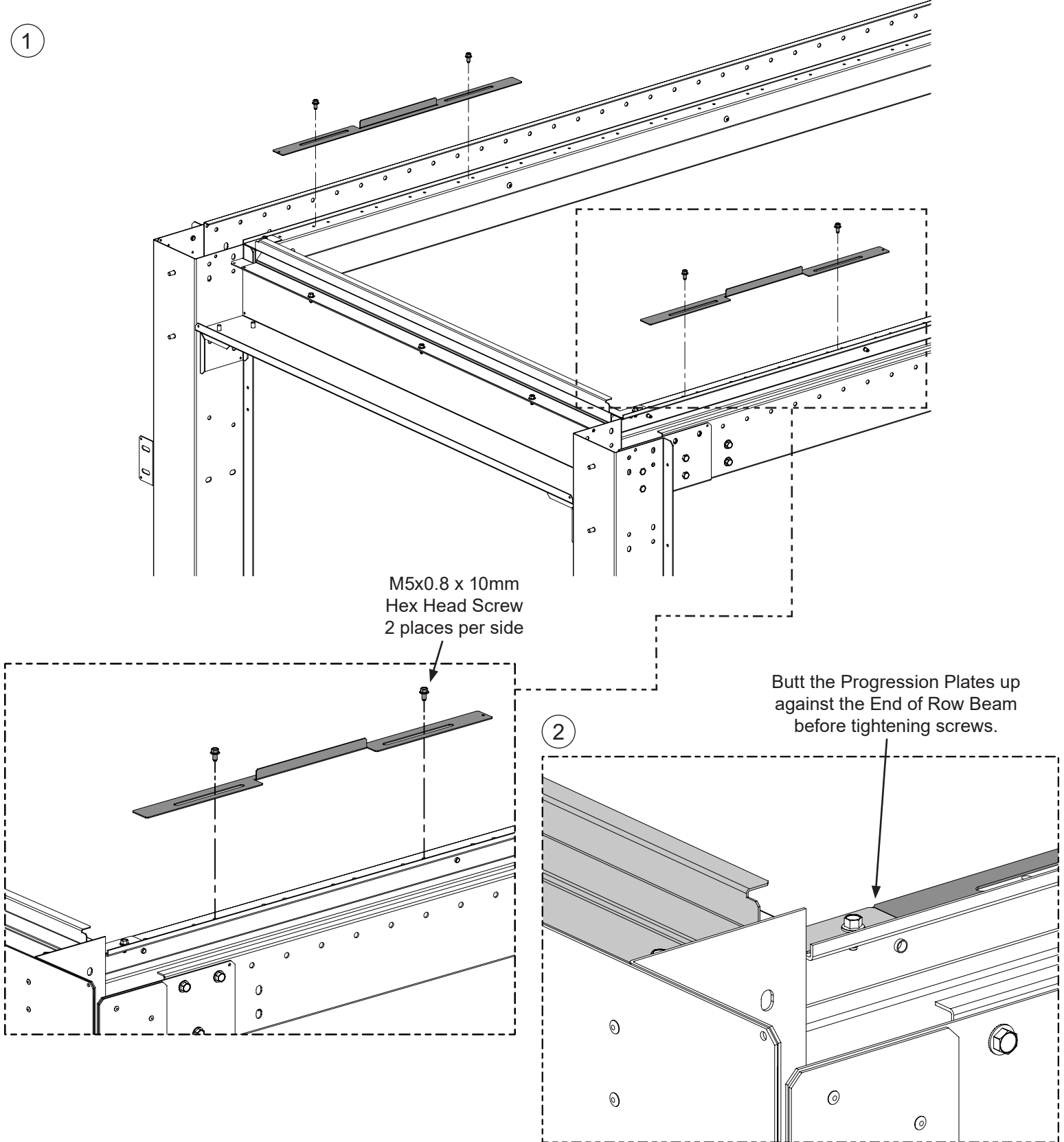
Installation of the End of Row Beam

- Install the End of Row Beam onto one end of the Pod. This is where the ceiling grid installation will begin.
- The Adjustable End of Row Beam and Slider Plate Assembly will be installed onto the opposite end of Pod. (see page 8)



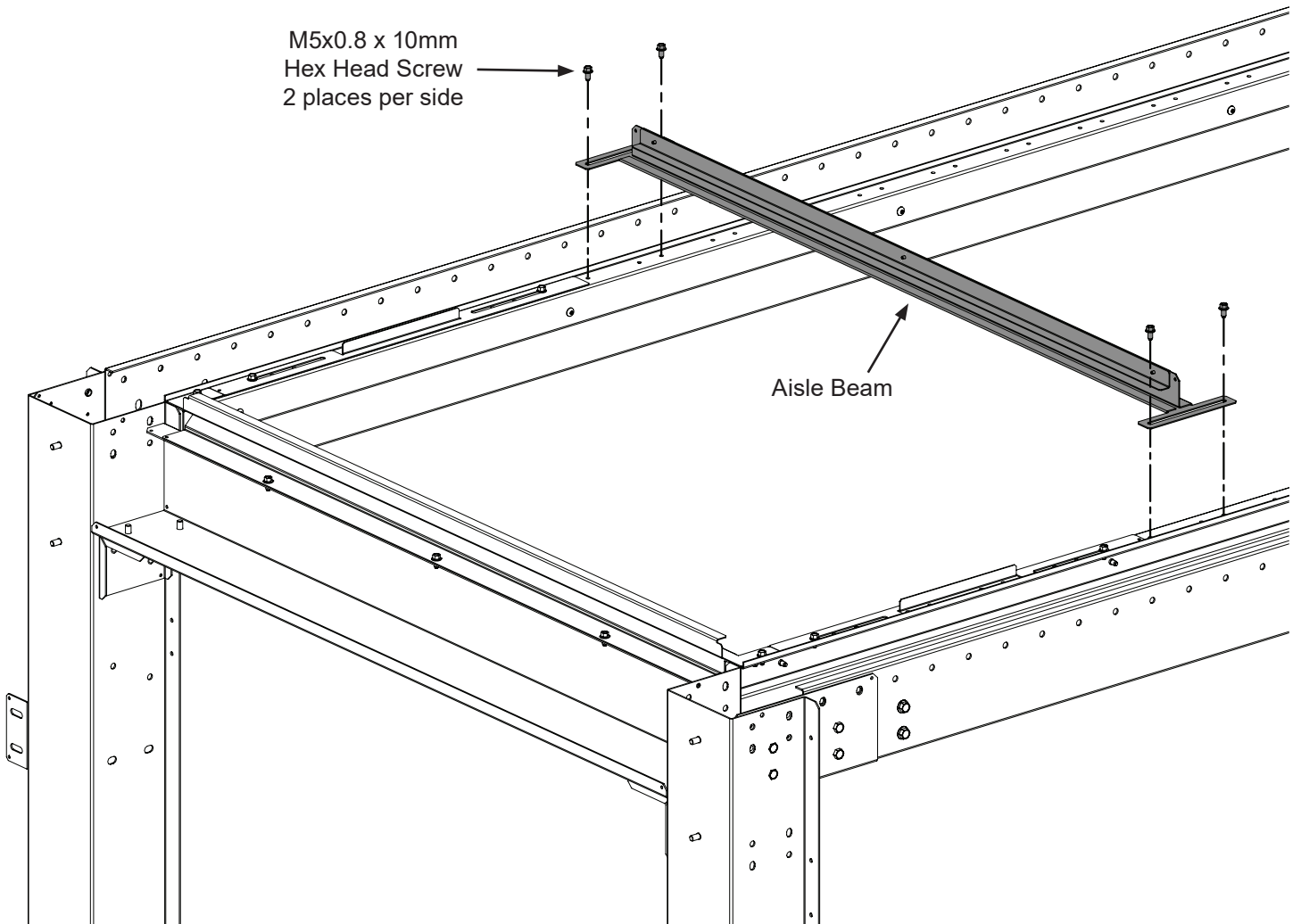
Installation of the Progression Plates

- Install the Progression Plates onto the shelf in the orientation shown.
- Butt the Progression Plates up against the End of Row Beam and tighten down.

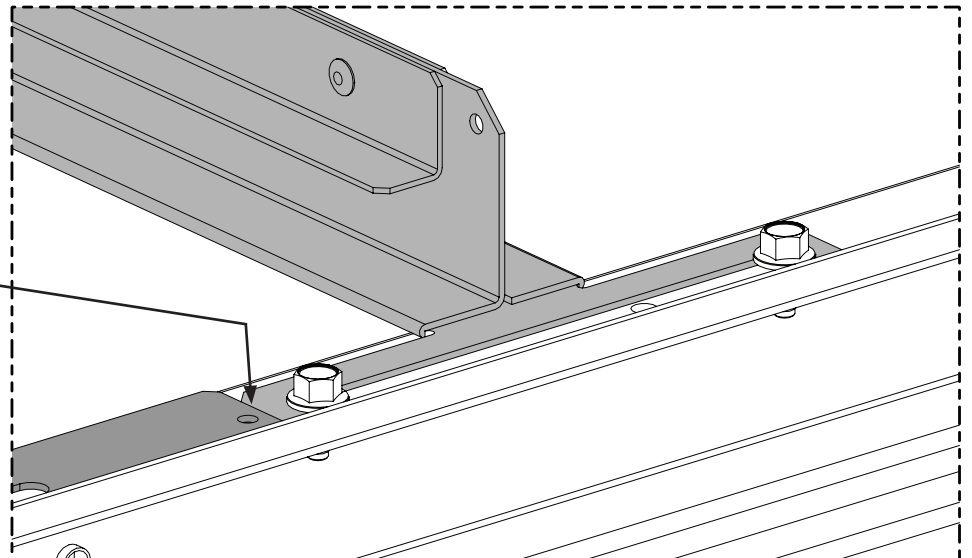


Installation of the Aisle Beam

- Install each Aisle Beam making sure to butt the Aisle Beam up to the Progression Plates.



Butt the Aisle Beam up against
the Progression Plates
before tightening screws.

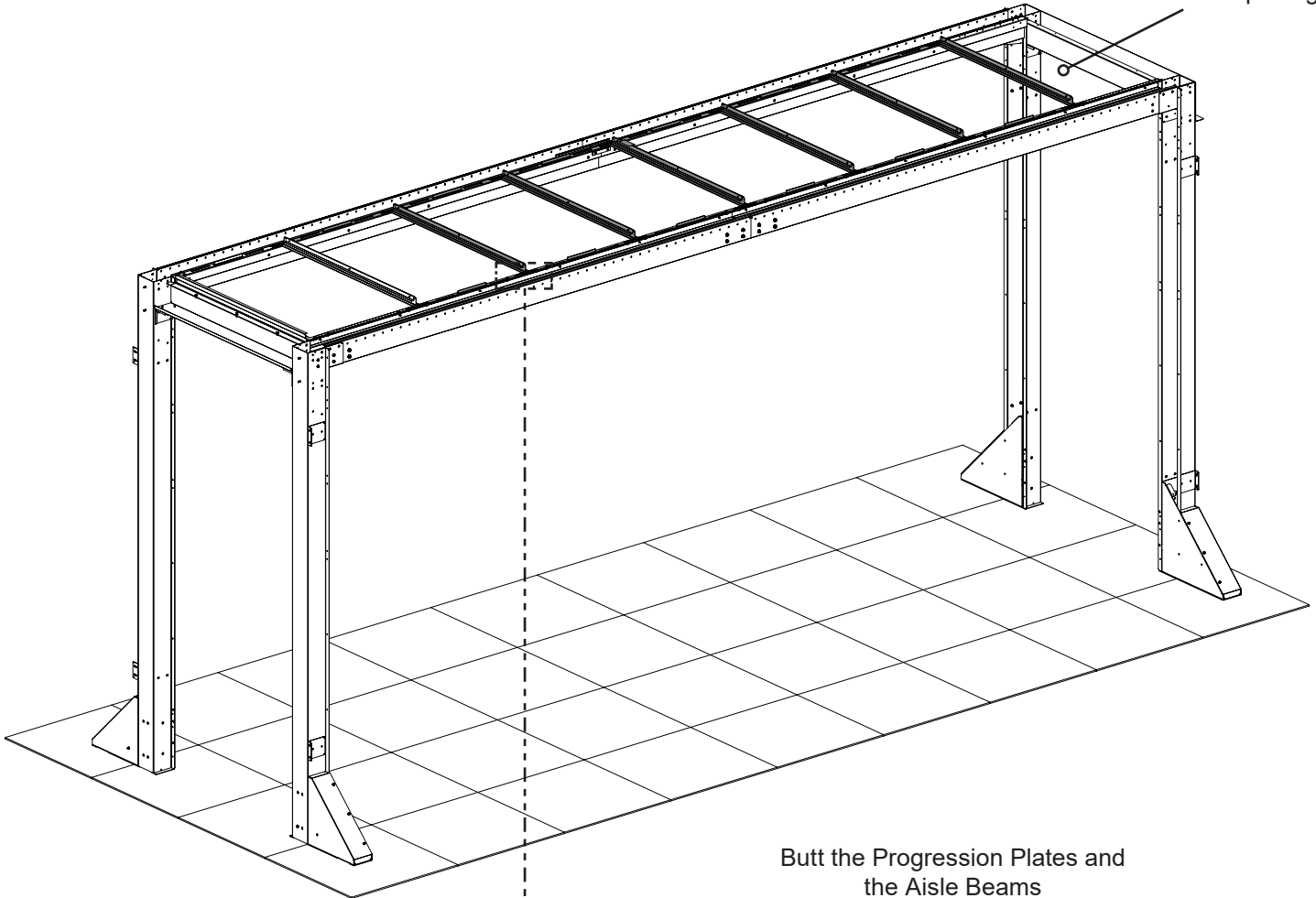


Install all of the remaining Progression Plates and Aisle Beams

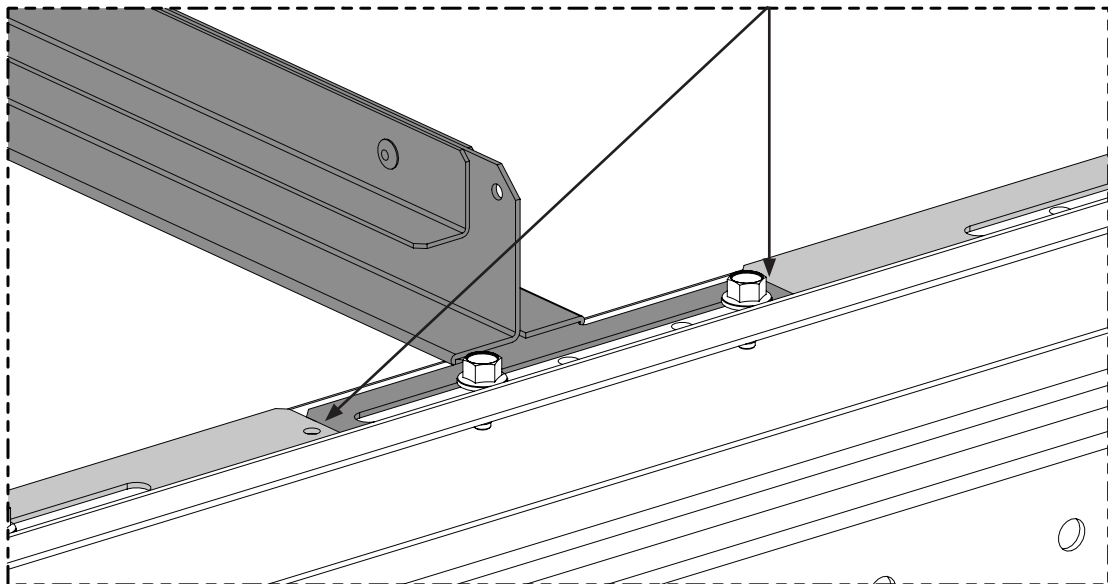
- Install remaining Progression Plates and Aisle Beams butting the Aisle Beams and Progression Plates up to each other.

NOTE: Leave last space open. Refer to page 8 for Instructions on last Pod opening.

Refer to page 8 for
Instructions on
last Pod opening.



Butt the Progression Plates and
the Aisle Beams
before tightening screws.



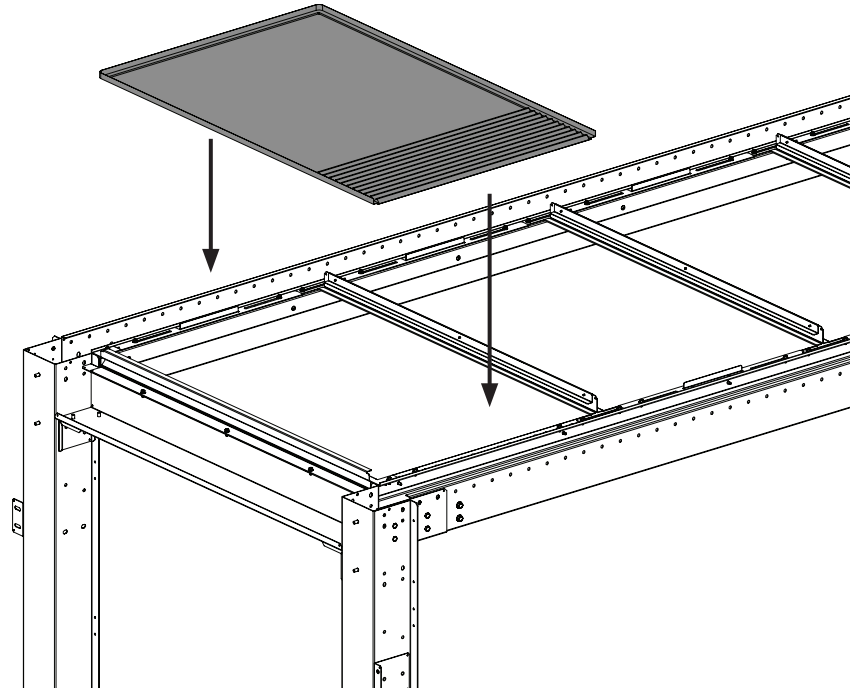
For Technical Support: www.panduit.com/resources/install_maintain.asp

Installation of the Panels

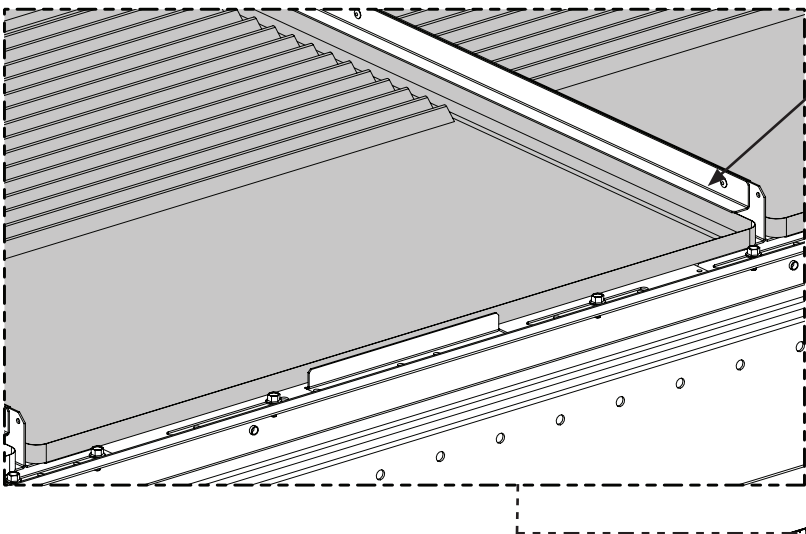
- Install all the Panels by pushing down from the top of Pod.

NOTE: Leave last space open. Refer to page 8 for Instructions on last Pod opening.

1

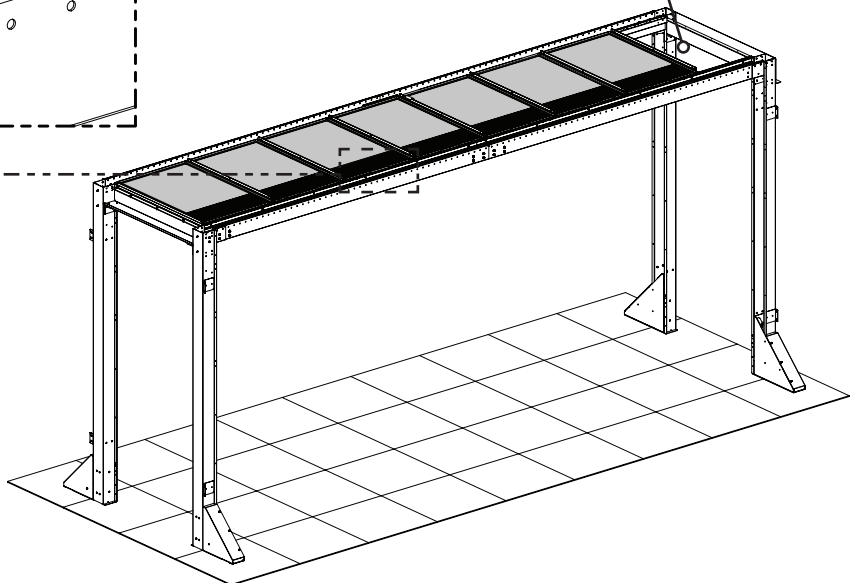


2



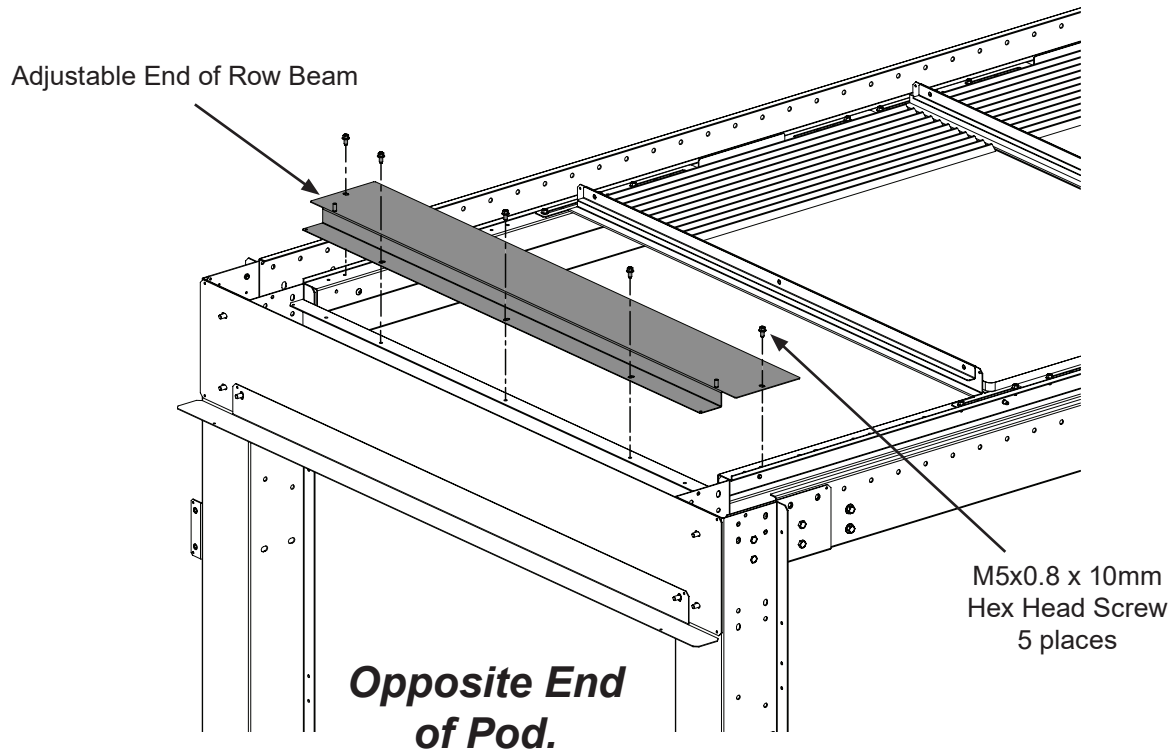
Panels snap down below Aisle Beam flanges. Center Panels in grid openings

Refer to page 8 for Instructions on last Pod opening.



Installation of the the Adjustable End of Row Beam

- Install the Adjustable End of Row Beam onto the opposite end of Pod.

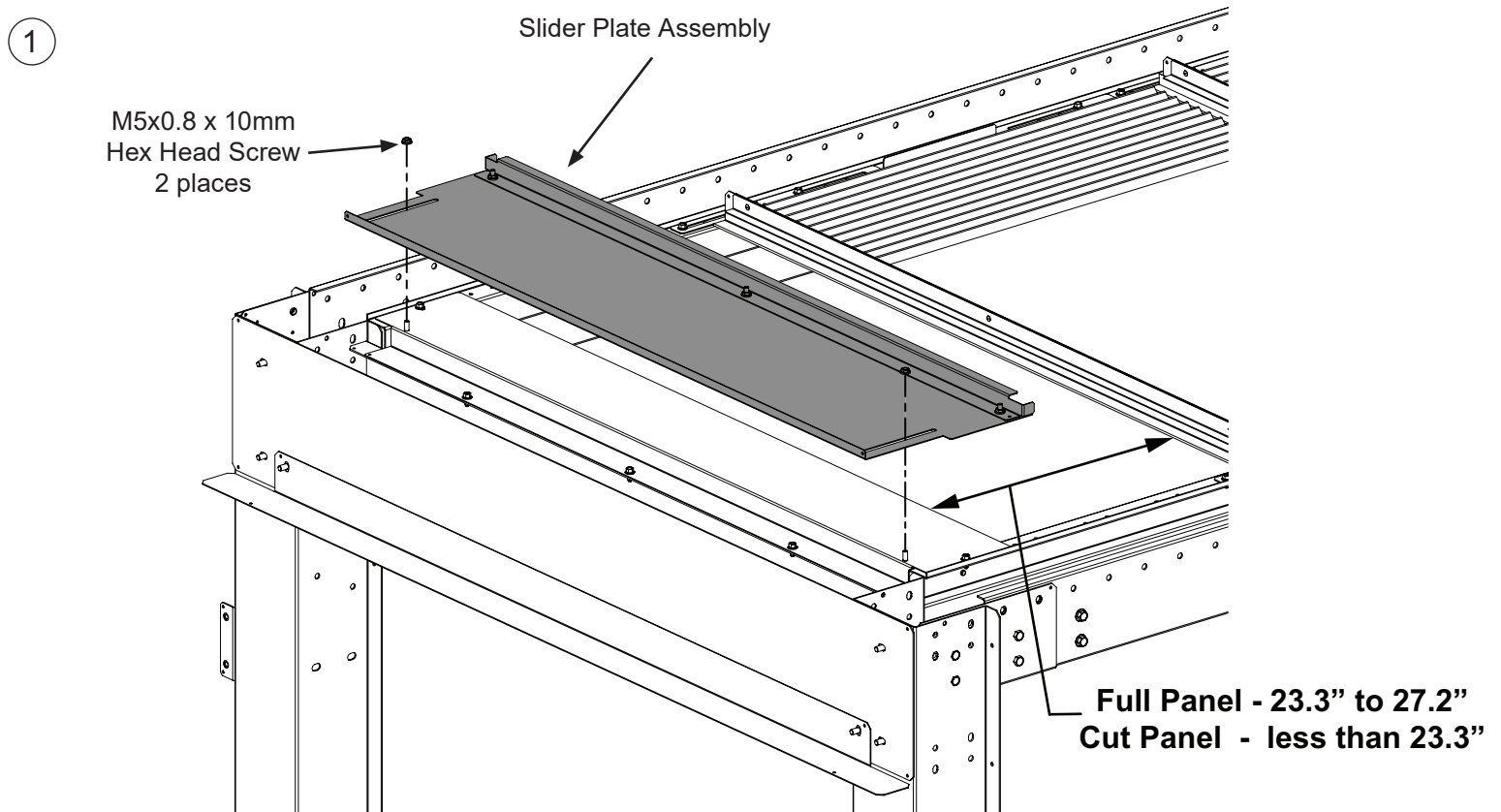


Installation of the last Panel and Slider Plate Assembly

Option 1. Last opening is between 23.3" and 27.2"

- Install Slider Plate Assembly using full Panel.

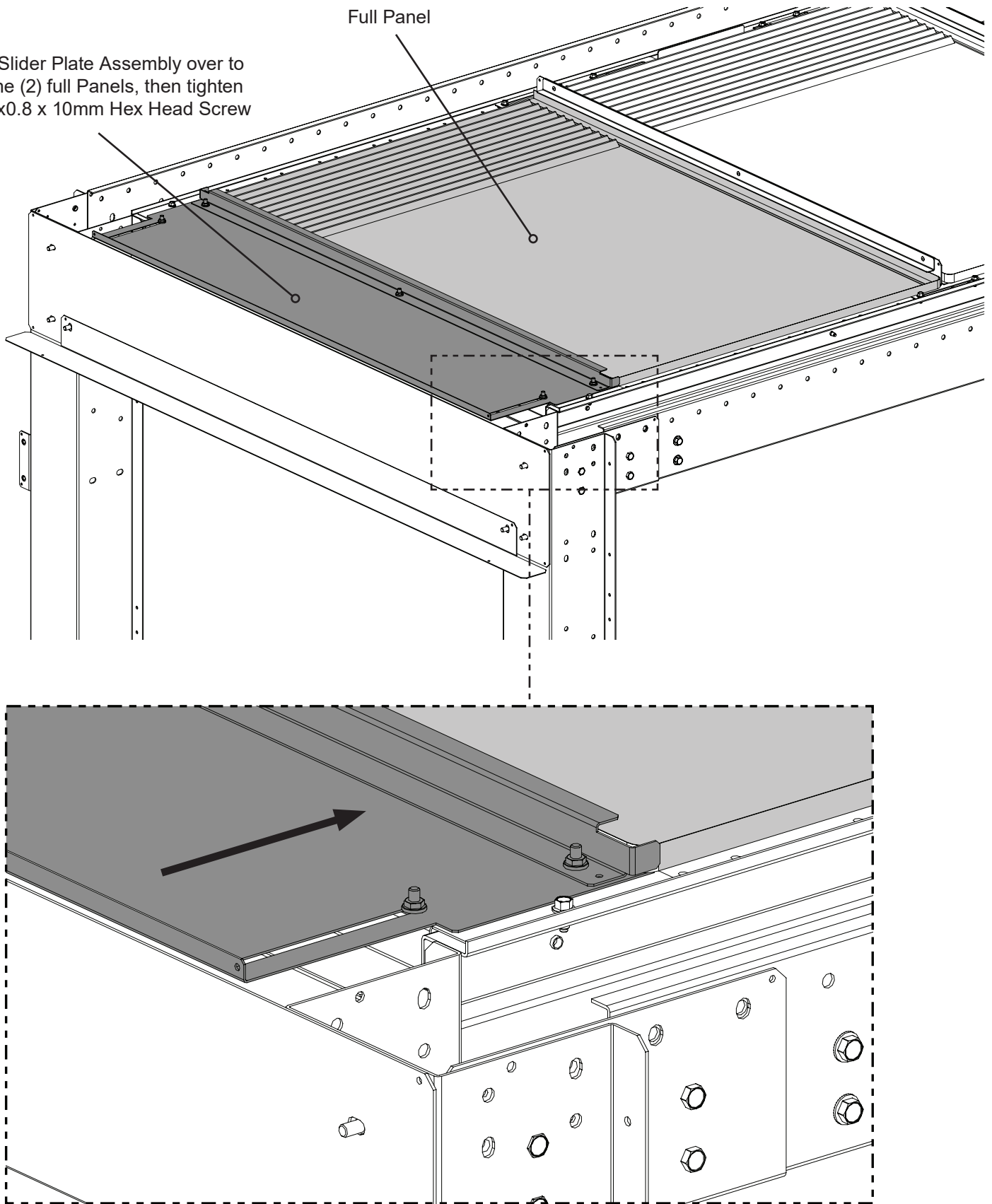
Figure 1



2

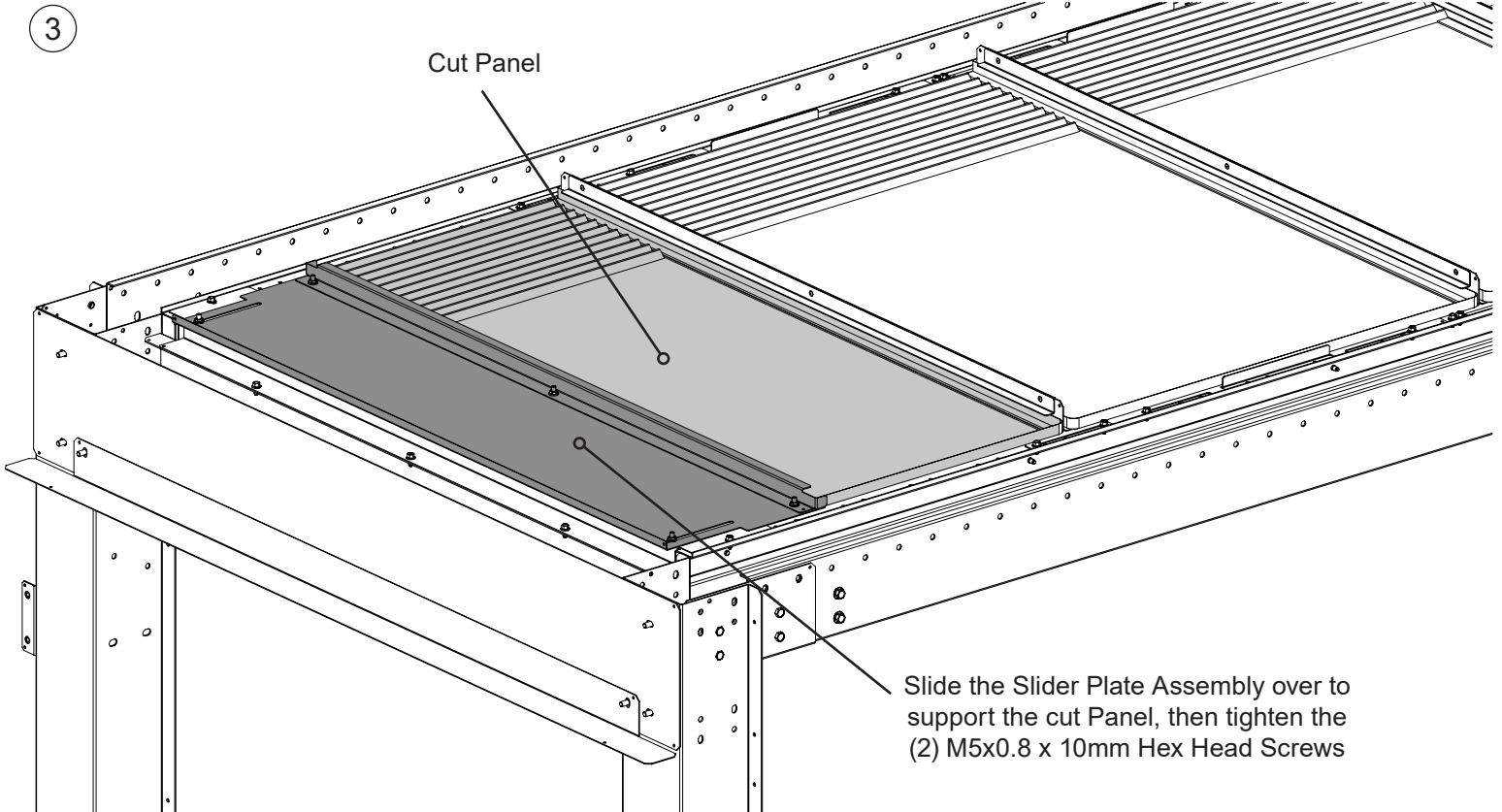
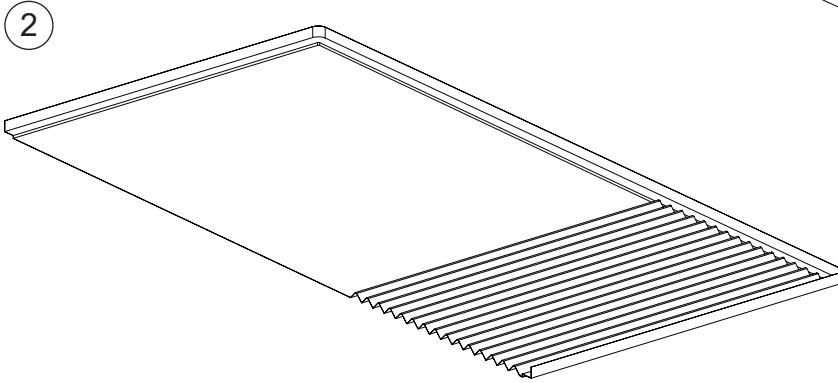
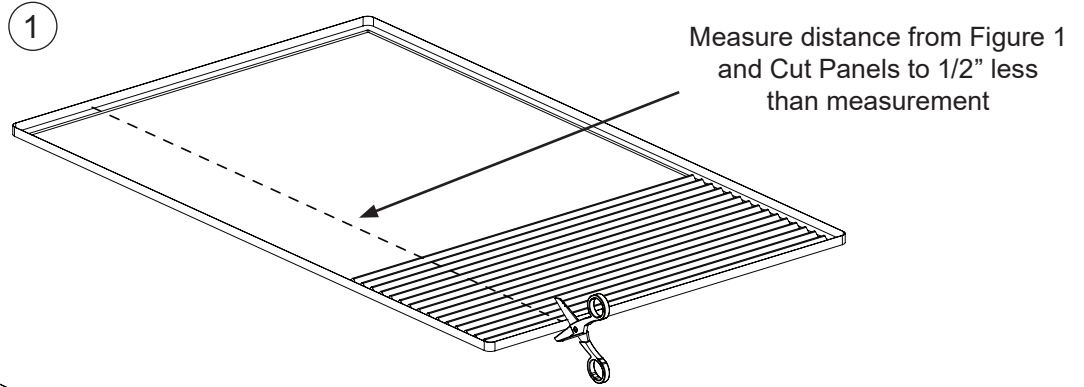
Slide the Slider Plate Assembly over to support the (2) full Panels, then tighten the (2) M5x0.8 x 10mm Hex Head Screw

Full Panel



Option 2. Last opening is less than 23.7"

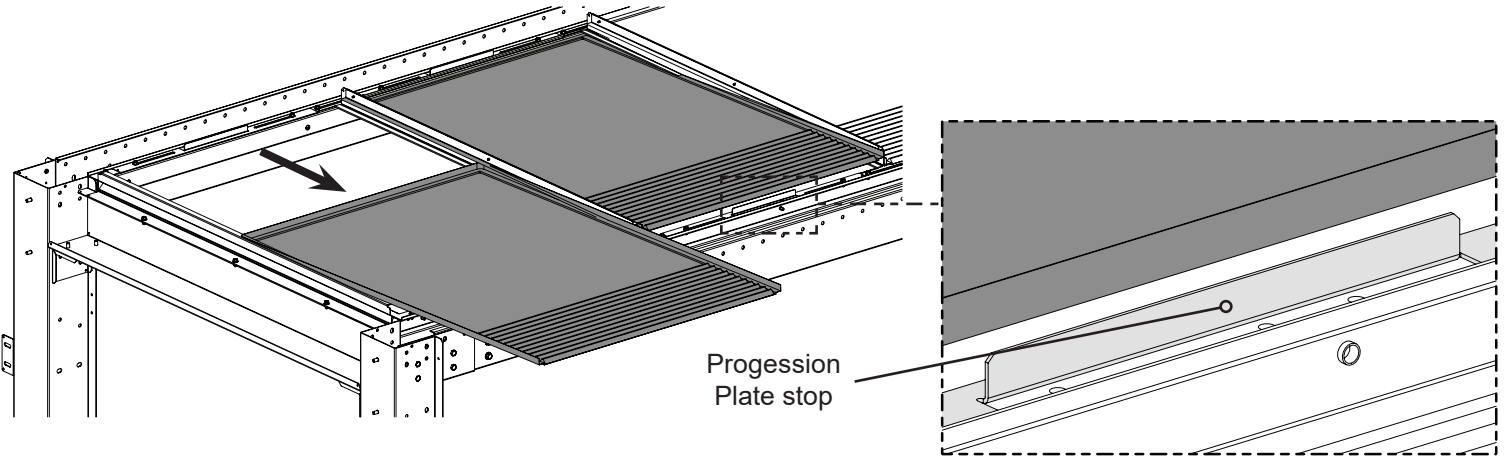
- Install Slider Plate Assembly using cut Panel.



Removal and Re-installation of Panels

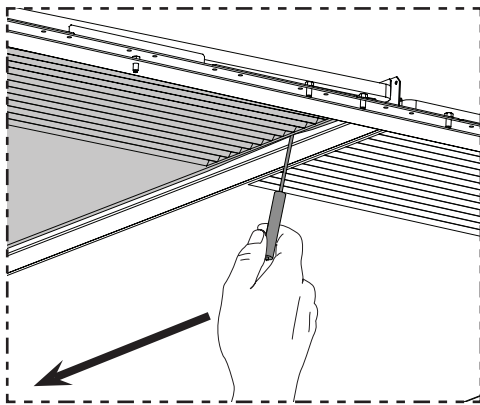
- If access permits, Panels can be slide in and out from the side of Pod at the top.
- Lift Panel above Progression Plate stop to start. While sliding out, continue to lift Panel above stop to prevent scratching.

Panels can be slide in and out from the side of Pod at the top.

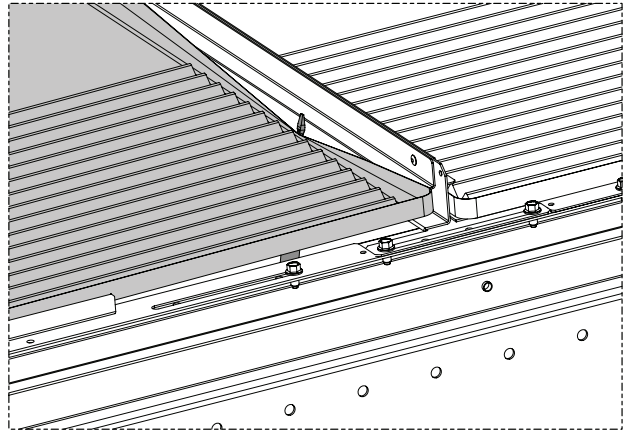


Panels can also be removed from inside of Pod.

Small screwdriver - Slide along Aisle Beam to release lip of Panel from Aisle Beam track.



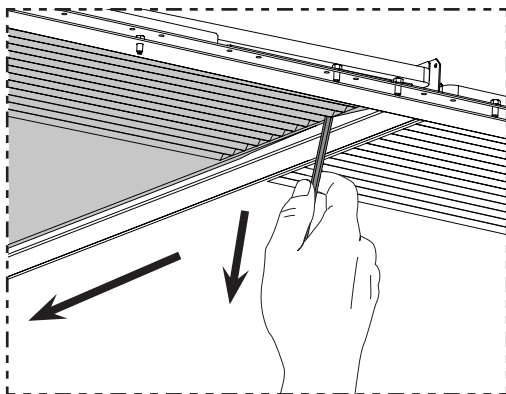
View from underside of Pod



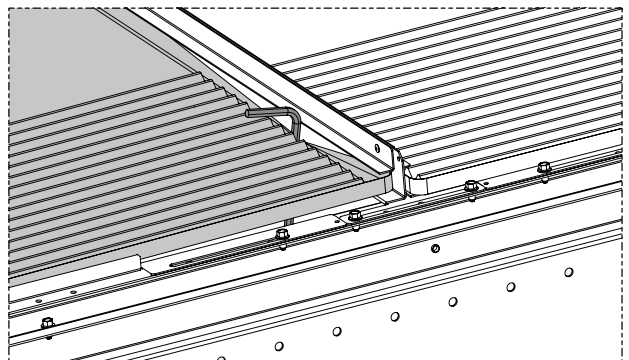
View from top of Pod

To re-install panels:

Small hex key - Slide along Aisle Beam while pulling downward to re-engage lip of Panel back into the Aisle Beam track.



View from underside of Pod



View from top of Pod

For Instructions in Local Languages
and Technical Support:

www.panduit.com/resources/install_maintain.asp

PANDUIT

www.panduit.com

E-mail:
techsupport@panduit.com

Phone:
866-405-6654