



Product designation

Signal tower  
Ø70mm/2.75"  
8LT7S - Sound  
modules

Product type designation

**General characteristics**

Diameter	mm - inch	70 / 2.75
Supply voltage (AC)	V	24
Supply voltage (DC)	V	24
Colour		Black
IEC degree of protection		IP65
Sound module consumption (AC)	mA	200
Sound module consumption (DC)	mA	200
Sound intensity	dB	75

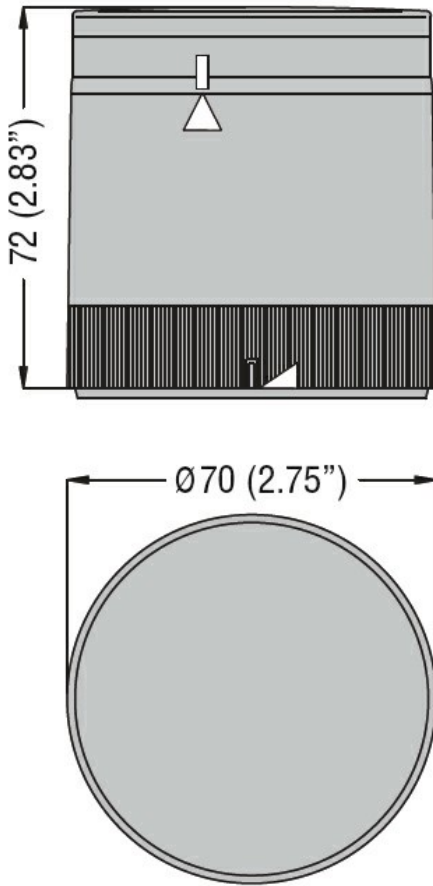
**Mechanical features**

Tightening torque for terminals max	Nm	0.5
Terminals screw		Screw clamp terminals
Conductor section		
AWG/Kcmil	max	16
IEC	max	mm <sup>2</sup> 1.5
Weight	g	240

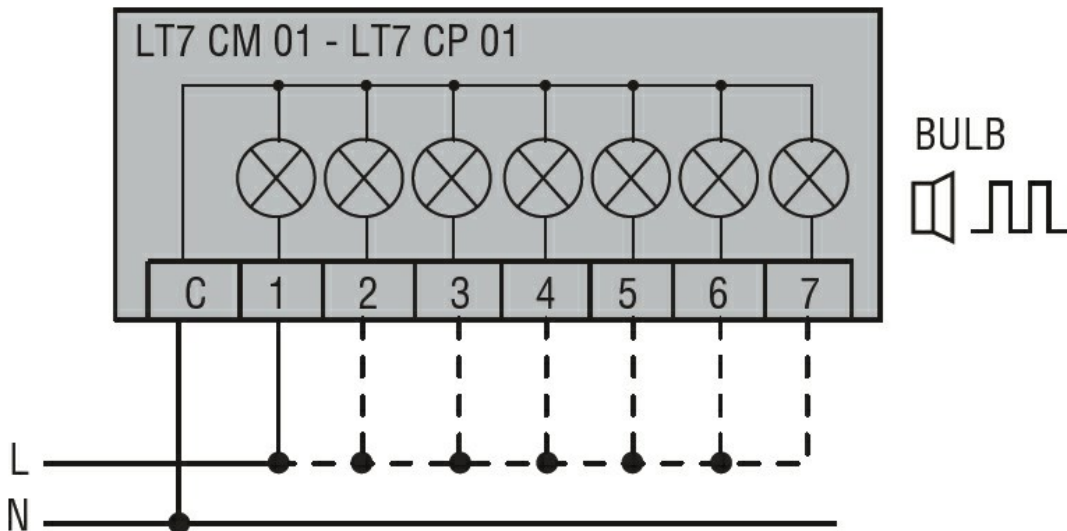
**Ambient conditions**

Temperature			
Operating temperature	min	°C	-20
	max	°C	+50

**Dimensions**



Wiring diagrams



Connect terminals C and 1 as indicated to power the first module. If other modules are fitted, the respective terminals must be connected accordingly.

Certifications and compliance

Compliance

- CSA C22.2 n°14
- IEC/EN 60947-1
- IEC/EN 60947-5-1
- UL508

---

Certificates

cULus

---

EAC

ETIM classification

ETIM 8.0

EC001261 -  
Acoustic module  
for signal tower