

SEMELLE ORIENTABLE DE CONSOLE
 ORIENTABLE BRACKET SOLE

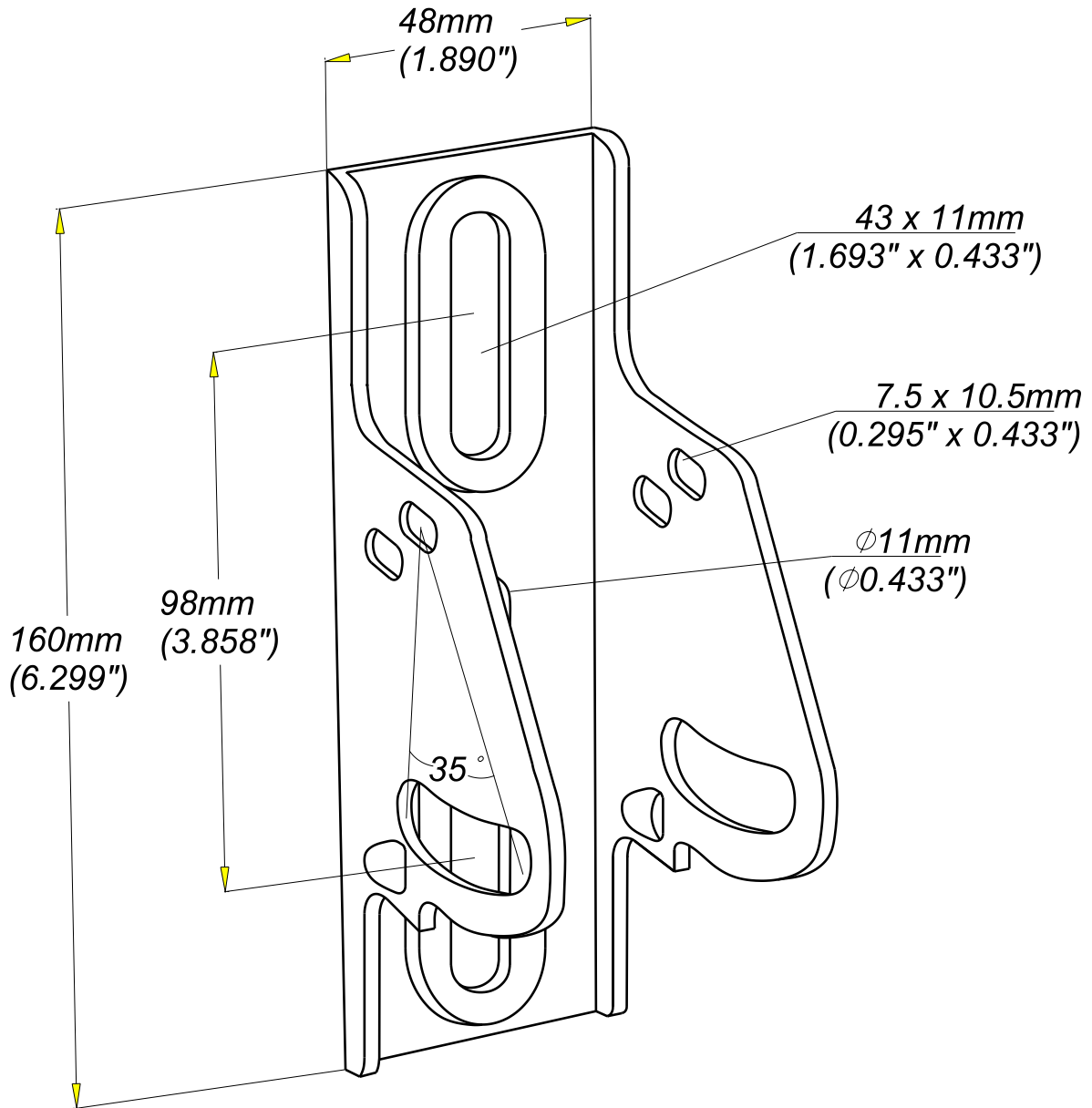
GS
 PG



CABLE
 MANAGEMENT

FT0211-0

04 / 16



| | |
|--|------------------|
| EPAISSEUR / THICKNESS 2 / 0.08" | NORME / STANDARD |
| MATIERE / MATERIAL DX 51 D Z275 MAC | EN 10346 |
| PROTECTION / COATING GS / PreGalvanised | |

| REF | CODE | POIDS / WEIGHT (Kg) / (lb) |
|-----|---------|-------------------------------|
| SI | 561 100 | 0.252 / 0.556 |