

Part number

COB 24 BC



Connector carrier baseplate for mounting on DIN EN60715 rail or with screws, COB panel supports series, for inserts with 104 x 27 mm screw fixing centre distance

Product description

| | |
|----------------------|---|
| Product type | Connector carrier baseplate for mounting on DIN EN60715 rail or with screws |
| Series | COB panel supports |
| Specification | For inserts with 104 x 27 mm screw fixing centre distance |

Technical data

| | |
|--------------------------------|------|
| IP degree of protection | IP20 |
|--------------------------------|------|

Further technical details

| | |
|---|----------------|
| Weight | 96,00 g |
| Operating temperature range (min, max) | -40°C...+125°C |

Material properties

| | |
|------------------------------|---------------|
| Colour | RAL 7032 grey |
| RoHs conformity | Compliant |
| China RoHs - EFUP | E |
| REACH SVHC substances | No |

Approvals / Standards

| | |
|-----------------------|------------|
| Certifications | DNV-GL, BV |
| UL | ECBT2 |
| cUL | ECBT8 |

General ordering information

| | |
|-------------------|---------------|
| EAN13 code | 8015747036641 |
| eCl@ss 8.1 | 27440206 |
| ETIM 7.0 | EC002312 |

Packaging Information

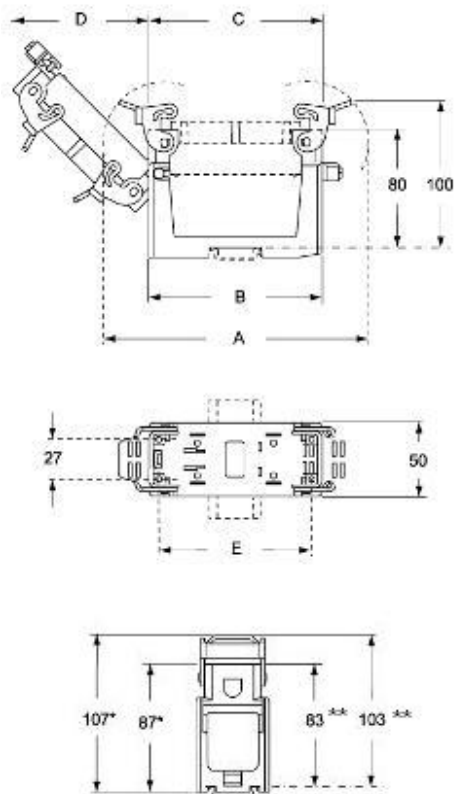
| | |
|----------------------------------|-----------------------|
| Packaging weight | 2,40 kg |
| Packaging volume | 16,91 dm ³ |
| Packaging description | Carton box |
| Packaging quantity | 20 Pcs |
| Packaging EAN code | 8015747036658 |
| Sub-packaging length | 95,00 mm |
| Sub-packaging height | 40,00 mm |
| Sub-packaging width | 253,00 mm |
| Sub-packaging weight | 0,60 kg |
| Sub-packaging volume | 0,96 dm ³ |
| Sub-packaging description | Carton tray |
| Sub-packaging quantity | 5 Pcs |
| Sub-packaging EAN barcode | 8015747036665 |

Part number

COB 24 BC

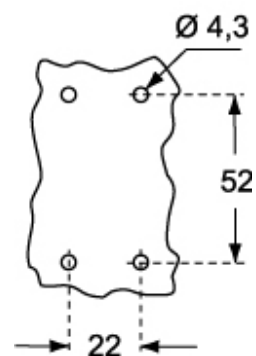


Catalogue drawings



Catalogue drawings

COB..BC



Notes

Dimensions shown in mm are not binding and may be changed without notice.