

Part number

CZO 15 L



Hood, IL-BRID series, with 2 pegs, Pg16 side cable entry, size "49.16"

Product description

Product type	Hood
Series	IL-BRID
Closing type	With 2 pegs
Size	Size "49.16"
Cable entry	Side cable entry Pg16

Technical data

IP degree of protection	IP66
--------------------------------	------

Further technical details

Weight	70,00 g
Operating temperature range (min, max)	-40°C...+125°C

Material properties

Colour	RAL 7040 grey
RoHs conformity	Compliant
China RoHs - EFUP	E
REACH SVHC substances	No

Approvals / Standards

UL	ECBT2
cUL	ECBT8

General ordering information

EAN13 code	8015747044332
-------------------	---------------

Packaging Information

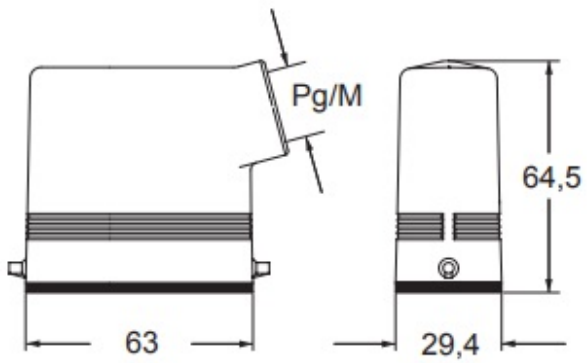
Packaging length	270,00 mm
Packaging height	75,00 mm
Packaging width	180,00 mm
Packaging weight	1,90 kg
Packaging volume	3,65 dm ³
Packaging description	Carton box
Packaging quantity	20 Pcs
Packaging EAN code	8015747207454
Sub-packaging weight	0,48 kg
Sub-packaging description	Plastic packaging
Sub-packaging quantity	5 Pcs
Sub-packaging EAN barcode	8015747171793

Part number

CZO 15 L



Catalogue drawings



Notes

Dimensions shown in mm are not binding and may be changed without notice.
