



Product designation Electrode holder  
 Product type designation PS3S

**Connections**

Terminals type Faston

**Ambient conditions**

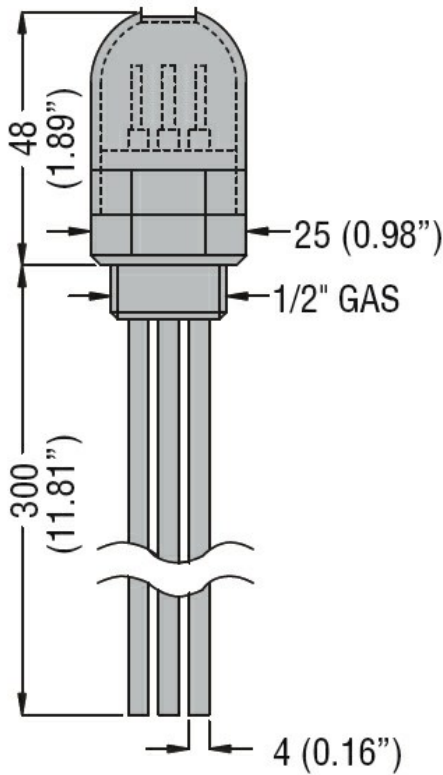
Temperature  
 Operating temperature  
 max °C +70

Maximum operating pressure bar 2

**Housing**

Weight g 120

**Dimensions**



**Certifications and compliance**

Compliance /

Certificates EAC

**ETIM classification**

ETIM 8.0 EC010106 - Liquid level sensor