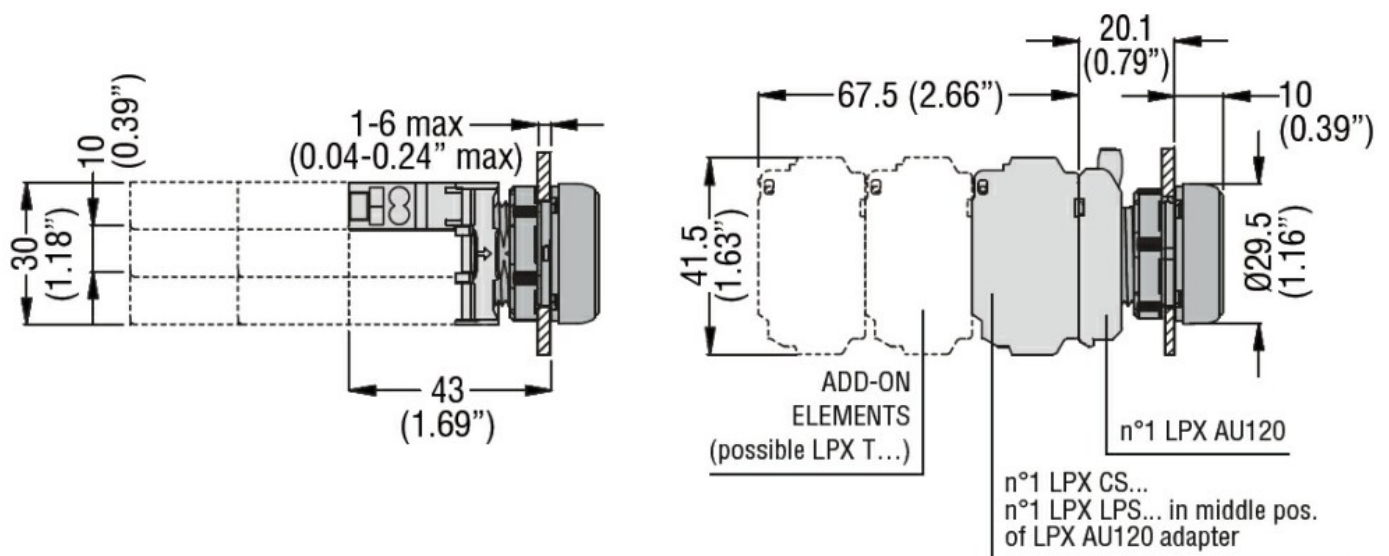


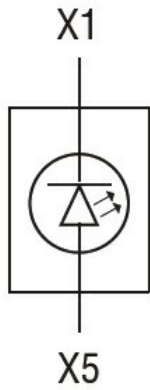


|                                     |                                 |                 |              |
|-------------------------------------|---------------------------------|-----------------|--------------|
| Product designation                 | LED elements steady light LPXLE |                 |              |
| Product type designation            | LPXLE                           |                 |              |
| <b>General characteristics</b>      |                                 |                 |              |
| Colour                              | Yellow                          |                 |              |
| <b>Electrical characteristics</b>   |                                 |                 |              |
| Supply voltage (AC)                 | V                               | 12...30         |              |
| Supply voltage (DC)                 | V                               | 12...30         |              |
| <b>Operations</b>                   |                                 |                 |              |
| Electrical life                     | hours                           | 100000          |              |
| <b>Mechanical features</b>          |                                 |                 |              |
| Tightening torque for terminals max | Nm                              | 1               |              |
| Conductor section                   | AWG/kcmil conductor section     |                 |              |
|                                     | max                             | 12              |              |
|                                     | IEC                             |                 |              |
|                                     | max                             | mm <sup>2</sup> | 1 or 2 / 2.5 |
| Mounting adapter                    | LPXAU120                        |                 |              |
| Weight                              | g                               | 16              |              |
| <b>Ambient conditions</b>           |                                 |                 |              |
| Temperature                         | Operating temperature           |                 |              |
|                                     | min                             | °C              | -25          |
|                                     | max                             | °C              | +60          |
|                                     | Storage temperature             |                 |              |
|                                     | min                             | °C              | -40          |
|                                     | max                             | °C              | +85          |

**Dimensions**



Wiring diagrams



Certifications and compliance

Compliance

CSA C22.2 n° 14  
IEC/EN/BS 60947-1  
IEC/EN/BS 60947-5-1  
UL508

Certificates

CCC  
cULus  
EAC  
RINA  
UL

ETIM classification

ETIM 8.0

EC000204 -  
Lamp holder  
block for control  
circuit devices