

Product designation				Rotary cam switches	
Product type designation				GX32	
<b>General characteristics</b>					
Switching diagram				20 - Dahlander motor 2-speed reversing switch	
N° of elements				6	
Mounting form				U - Front mounting with black handle	
<b>Contact characteristics</b>					
Rated insulation voltage $U_i$	IEC/EN	V	690		
	UL/CSA	V	600		
Rated impulse withstand voltage $U_{imp}$			kV	6	
Conventional free air thermal current $I_{th}$	IEC/EN	A	32		
	UL/CSA	A	32		
Rated operational voltage			V	440	
Rated operational impulse voltage			kV	4	
Maximum fuse size for short-circuit protection $I_n$ (gG)	10kA	A	35		
	15kA	A	35		
	25kA	A	35		
Rated short time current $I_{cw}$			1s	A	
			1000		
Conductivity				10/5 mA/V	
Operational current $I_e$ IEC/EN	AC1/AC21A		A	32	
	AC15				
		110V	A	25	
		220/230V	A	20	
		380/400V	A	10	
		660/690V	A	2	
Rated operational power in AC	Three-phase AC-3				
			220/230V	kW	7.5
			380/440V	kW	11
			500/690V	kW	11
	Single-phase AC-3				
			110V	kW	1.8
			220/230V	kW	3.5
			380/440V	kW	5.5
	Three-phase AC23A				
			220/230V	kW	8
			380/440V	kW	15
			500/690V	kW	15
Single-phase AC23A					
		110V	kW	2.2	
		220/230V	kW	3.5	
		380/440V	kW	6	

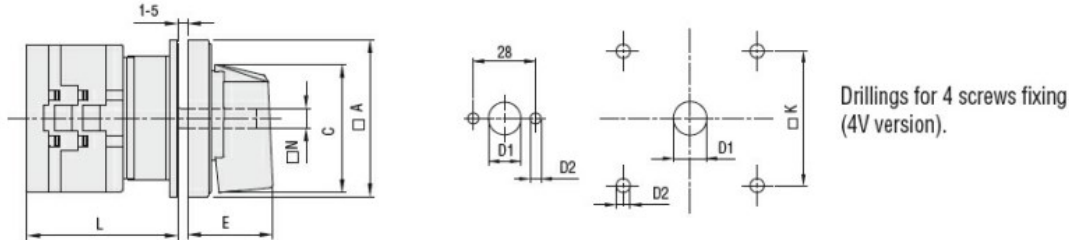
Rated operational current in DC			
DC21A			
	48V	A	32
	60V	A	32
	110V	A	5
	220V	A	0.8
	440V	A	0.25
DC23A (poles in series)			
	24V	A	32 (1)
	48V	A	32 (2)
	60V	A	32 (3)
	110V	A	15 (3)
	220V	A	12 (4)
DC13			
	24V	A	32
	48V	A	25
	60V	A	14
	110V	A	3
	220V	A	0.5
	440V	A	0.15
Power dissipation		W	1.6
<b>Mechanical features</b>			
Terminals screw			M4
Tightening torque for terminals max			Nm 1.2
Conductor size			
AWG - Rigid cable			
	min	AWG	16
	Max	AWG	8
AWG - Flexible cable			
	min	AWG	16
	Max	AWG	10
Conductor size (IEC) - Flexible cable			
	min	mm <sup>2</sup>	1.5
	Max	mm <sup>2</sup>	6
Conductor size (IEC) - Rigid cable			
	min	mm <sup>2</sup>	1.5
	Max	mm <sup>2</sup>	10
Mechanical life		cycles	1X10 <sup>6</sup>
<b>UL technical data</b>			
Motor power for direct-on-line control			
for three-phase motor			
	120V	HP	3
	240V	HP	7.5
	480V	HP	15
	600V	HP	15
for single-phase motor			
	120V	HP	1.5
	240V	HP	3
<b>Ambient conditions</b>			
Temperature			
Operating temperature			
	min	°C	-25
	max	°C	+55
Storage temperature			

min	°C	-40
max	°C	+70

**Resistance & Protection**

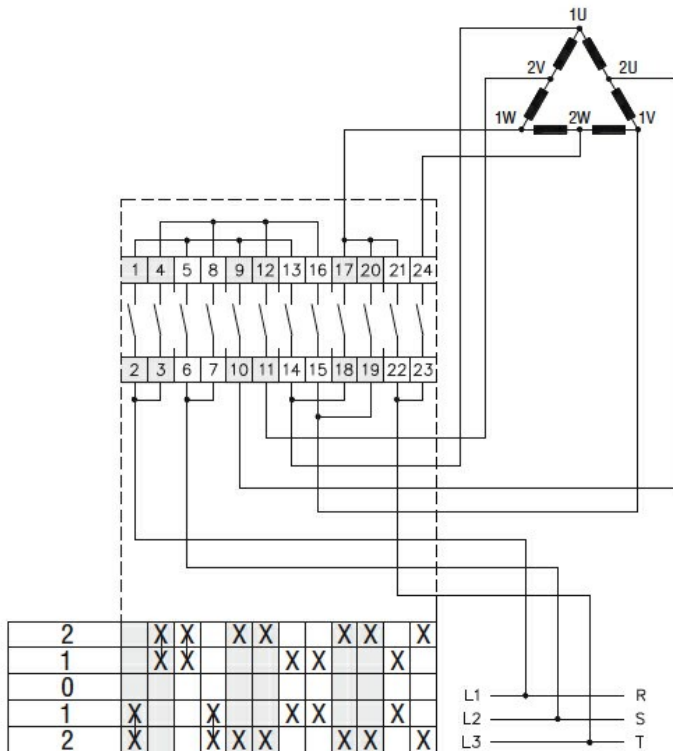
Frontal IP degree	IP65
Terminals IP degree	IP20

**Dimensions**



Series	Dimensions							L Number of elements											
	□A	C	ØD1	ØD2	E	□K	□N	1	2	3	4	5	6	7	8	9	10	11	12
GX16	48	39.5	12	5	26.5	36	6	43	51.5	60	68.5	77	85.5	94	102.5	111	119.5	128	136.5
GX20	48	39.5	12	5	26.5	36	6	43	51.5	60	68.5	77	85.5	94	102.5	111	119.5	128	136.5
GX32	65	53	14	5	34.5	48	7	51	63	75	85	99	111	123	135	147	159	171	183
GX40	65	53	14	5	34.5	48	7	51	63	75	85	99	111	123	135	147	159	171	183

**Wiring diagrams**



**Certifications and compliance**

**Compliance**

- CSA C22.2 n° 14
- IEC/EN/BS 60947-1
- IEC/EN/BS 60947-3
- IEC/EN/BS 60947-5-1
- IEC/EN/BS 61058-1
- UL60947-4-1

---

Certificates

cULus

---

EAC

ETIM classification

ETIM 8.0

EC001029 -  
Selector switch,  
complete