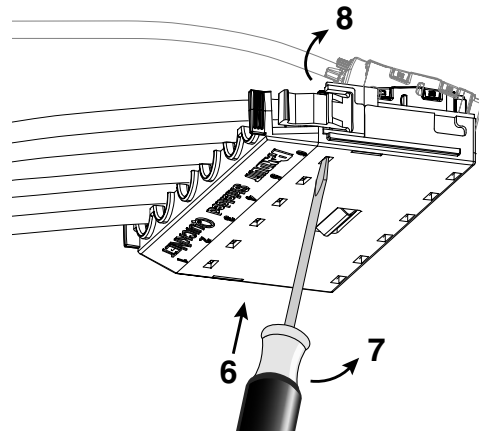
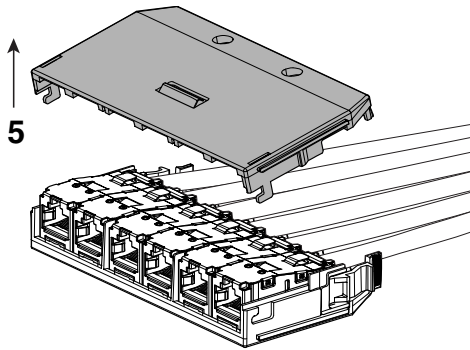
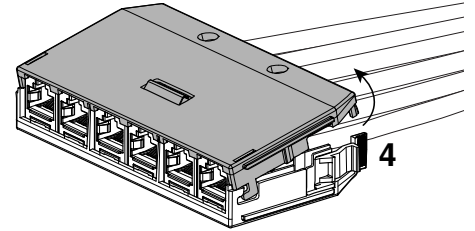
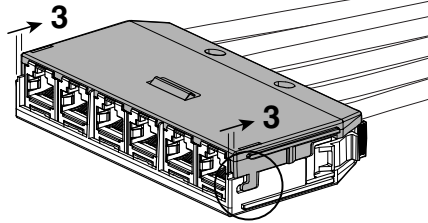
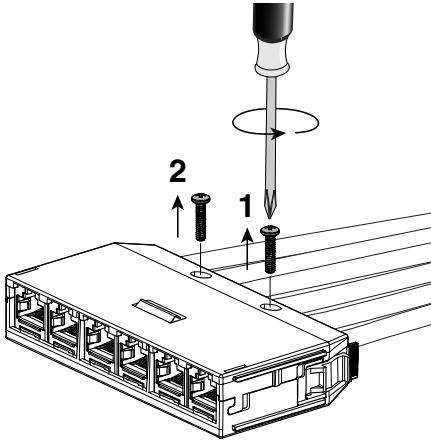
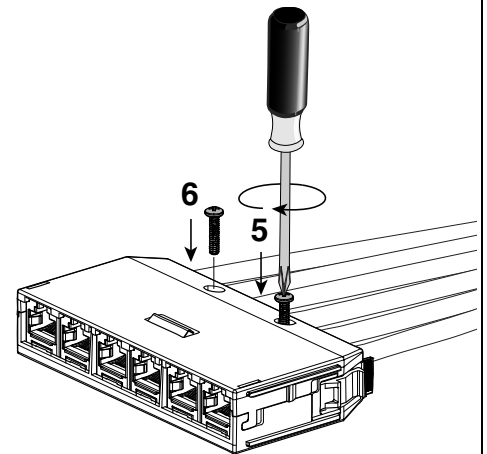
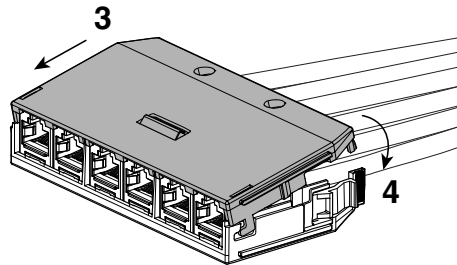
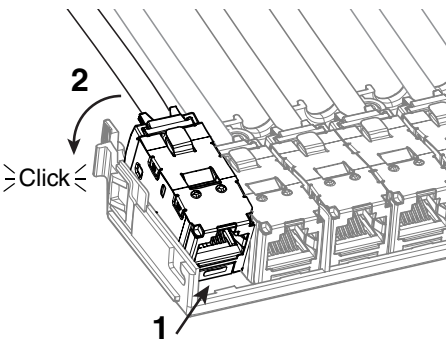


Jack Module Removal



Jack Module Installation

Reference PN366* (10GIG) or PN399* (Cat 6), for jack module termination instructions.



* Denotes Instruction Sheet revision letter.