



Compact LMS5xx heavy-duty connection box

SICK
Sensor Intelligence.

Compact LMS5xx heavy-duty connection box



Ordering information

Type	Part no.
Compact LMS5xx heavy-duty connection box	2095789

Other models and accessories → www.sick.com/



Detailed technical data

Technical specifications

Accessory family	Connection modules
Connection type head A	Round connector (stainless steel), M12
Connection type head B	Round connector (stainless steel), M12
Connection type head C	Round connector (stainless steel), M12
Connection type	Cable gland
Conductor cross section	5 x 0,5 mm ² + 2 x 12 x 0,14 mm ²
Housing material	Aluminum
Ambient operating temperature	-40 °C ... +60 °C
Enclosure rating	IP67
Weight	0.68 kg
Dimensions (W x H x L)	88 mm x 34 mm x 173 mm
Description	Electrical connection box for power, I/Os and RS-232/-422 data (no Ethernet), with three pre-wired M12 cables, 12 pin

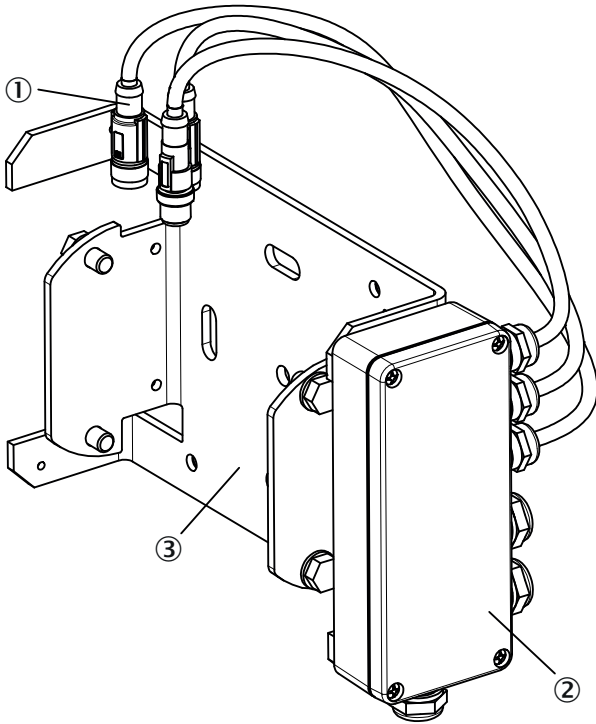
Classifications

eCl@ss 5.0	27279201
eCl@ss 5.1.4	27279201
eCl@ss 6.0	27279201
eCl@ss 6.2	27279201
eCl@ss 7.0	27279201
eCl@ss 8.0	27279201
eCl@ss 8.1	27279201
eCl@ss 9.0	27440320
eCl@ss 10.0	27440320
eCl@ss 11.0	27440320
eCl@ss 12.0	27440320
ETIM 5.0	EC000313
ETIM 6.0	EC000313
ETIM 7.0	EC000313
ETIM 8.0	EC000313

UNSPSC 16.0901

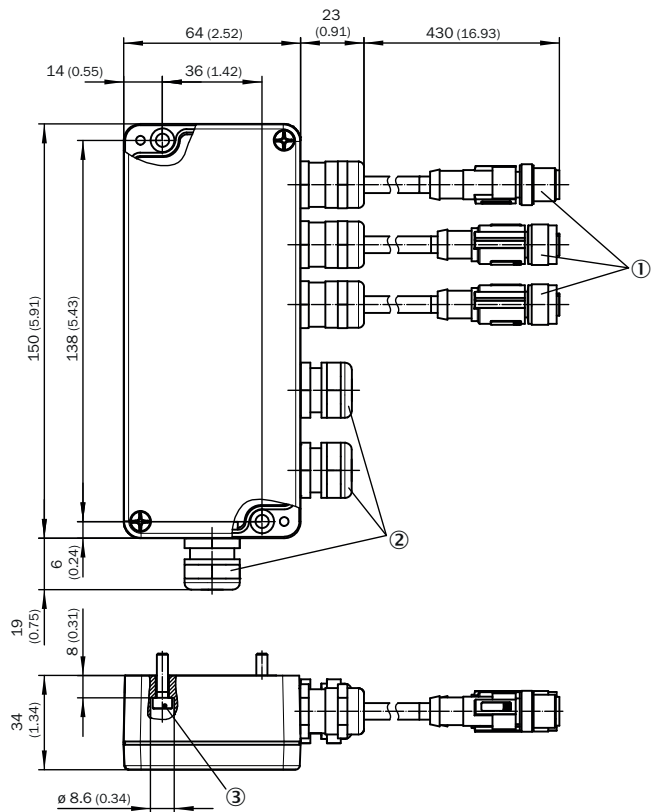
31163032

Dimensional drawing (Dimensions in mm (inch))



- ① Figure shows connection box with standard housing, connector form deviates slightly from part number 2095789
- ② Connection box 2063034 or 2095789
- ③ Adapter plate 2059271

Compact LMS5xx heavy-duty connection box



- ① Figure shows connection box with standard housing, connector form deviates slightly from part number 2095789
- ② IP 68 cable glands, \varnothing 5 mm – 12 mm
- ③ 2 x screws, hexagon socket ISO 4762, M4x16

PIN assignment

Pin definition LMS5xx PRO/HEAVY DUTY

- 01** RD-/RxD
- 02** TD-/TxD
- 03** RD+
- 04** TD+
- 05** GND RS
- 06** IN 1
- 07** IN 2
- 08** IN 3
- 09** IN 4/Sync IN
- 10** GND IN 1/2/3/4
- 11** OUT 1
- 12** OUT 2
- 13** OUT 3
- 14** OUT 4
- 15** OUT 5
- 16** OUT 6/Sync OUT
- 17** GND OUT 3-6
- 18** 24V OUT 1-6
- 19** 24V SYS
- 20** GND SYS
- 21** 24V HEAT
- 22** GND HEAT

SICK AT A GLANCE

SICK is one of the leading manufacturers of intelligent sensors and sensor solutions for industrial applications. A unique range of products and services creates the perfect basis for controlling processes securely and efficiently, protecting individuals from accidents and preventing damage to the environment.

We have extensive experience in a wide range of industries and understand their processes and requirements. With intelligent sensors, we can deliver exactly what our customers need. In application centers in Europe, Asia and North America, system solutions are tested and optimized in accordance with customer specifications. All this makes us a reliable supplier and development partner.

Comprehensive services complete our offering: SICK LifeTime Services provide support throughout the machine life cycle and ensure safety and productivity.

For us, that is “Sensor Intelligence.”

WORLDWIDE PRESENCE:

Contacts and other locations –www.sick.com