

Fiche produit

Article n° Z5.504.2121.0

Passage de câble pour vis PG 7 MS 10 3,0- 6,5



| | |
|-------------------|---------------|
| Article n° | Z5.504.2121.0 |
| EAN | 4049088386237 |
| Unité de commande | 50 Piece(s) |

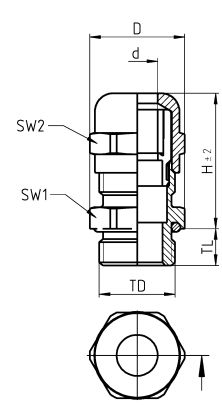
certificats/approbations

Données techniques

général

| | |
|---|-----------------------------|
| longueur du filetage | 10 mm |
| diamètre Min. du câble | 3 mm |
| diamètre Max. du câble | 6,5 mm |
| Degré de protection (IP) | IP68 |
| matériel | Laiton |
| Couleur | Autre |
| Résistant aux chocs | Oui |
| Protection du rayon de courbure / manchon d'arrondi | Aucun |
| Support de traversé avec serre-câble | Aucun |
| Type de scellement | anneau caoutchouc-/neoprene |
| presse étoupe détachable | Aucun |
| Zone multi-joint | Aucun |
| Type de filetage | Métrique |
| Sans halogène | Oui |
| classe d'inflammabilité des matériaux d'isolation selon la norme UL94 | Autre |

Dessin technique

| <p>A</p> <p>B</p> <p>C</p> <p>D</p> <p>E</p> <p>F</p> |  | <table border="1"> <thead> <tr> <th>Wieland Teilenummer part number</th> <th>Gewinde Verschraubung thread type of fitting</th> <th>Gewinde Schraubkappe thread type of cap</th> <th>Klemmbereich clamping range Ø min-max mm</th> <th>Gewinde-Ø thread-Ø TD mm</th> <th>Gewindelänge thread length TL mm</th> <th>Höhe ohne Gewindelänge height without thread H mm</th> <th>Verschraubung fitting SW1 mm</th> <th>Schraubkappe cap SW2 mm</th> <th>Außen-Ø outer-Ø D mm max.</th> <th>Innen-Ø inner-Ø D mm min.</th> </tr> </thead> <tbody> <tr><td>Z5.504.2021.0</td><td>PG7</td><td>PG 7</td><td>3,0-6,5</td><td>12,5</td><td>6,0</td><td>22,0</td><td>14,0</td><td>14,0</td><td>15,5</td><td>Ø10,0</td></tr> <tr><td>Z5.504.2121.0</td><td>PG7</td><td>PG 7</td><td>3,0-6,5</td><td>12,5</td><td>10,0</td><td>22,0</td><td>14,0</td><td>14,0</td><td>15,5</td><td>Ø10,0</td></tr> <tr><td>Z5.504.2221.0</td><td>PG9</td><td>PG 9</td><td>4,0-8,0</td><td>15,2</td><td>6,0</td><td>23,5</td><td>17,0</td><td>17,0</td><td>18,9</td><td>Ø8,3</td></tr> <tr><td>Z5.504.2321.0</td><td>PG9</td><td>PG 9</td><td>4,0-8,0</td><td>15,2</td><td>10,0</td><td>23,5</td><td>17,0</td><td>17,0</td><td>18,9</td><td>Ø8,3</td></tr> <tr><td>Z5.504.2421.0</td><td>PG11</td><td>PG 11</td><td>5,0-10,0</td><td>18,6</td><td>6,0</td><td>26,0</td><td>20,0</td><td>20,0</td><td>22,0</td><td>Ø10,4</td></tr> <tr><td>Z5.504.2521.0</td><td>PG11</td><td>PG 11</td><td>5,0-10,0</td><td>18,6</td><td>10,0</td><td>26,0</td><td>20,0</td><td>20,0</td><td>22,0</td><td>Ø10,4</td></tr> <tr><td>Z5.504.2621.0</td><td>PG13,5</td><td>PG 13,5</td><td>6,0-12,0</td><td>20,4</td><td>6,5</td><td>24,5</td><td>22,0</td><td>22,0</td><td>24,5</td><td>Ø12,4</td></tr> <tr><td>Z5.504.2721.0</td><td>PG13,5</td><td>PG13,5</td><td>6,0-12,0</td><td>20,4</td><td>10,0</td><td>24,5</td><td>22,0</td><td>22,0</td><td>24,5</td><td>Ø12,4</td></tr> <tr><td>Z5.504.2821.0</td><td>PG16</td><td>PG 16</td><td>10,0-14,0</td><td>22,5</td><td>6,5</td><td>28,0</td><td>24,0</td><td>24,0</td><td>26,5</td><td>Ø14,4</td></tr> <tr><td>Z5.504.2921.0</td><td>PG16</td><td>PG16</td><td>10,0-14,0</td><td>22,5</td><td>10,0</td><td>28,0</td><td>24,0</td><td>24,0</td><td>26,5</td><td>Ø14,4</td></tr> <tr><td>Z5.504.3021.0</td><td>PG21</td><td>PG 21</td><td>13,0-18,0</td><td>28,3</td><td>7,2</td><td>32,5</td><td>30,0</td><td>30,0</td><td>33,0</td><td>Ø18,4</td></tr> <tr><td>Z5.504.3121.0</td><td>PG21</td><td>PG21</td><td>13,0-18,0</td><td>28,3</td><td>12,0</td><td>32,5</td><td>30,0</td><td>30,0</td><td>33,0</td><td>Ø18,4</td></tr> <tr><td>Z5.504.3221.0</td><td>PG29</td><td>PG 29</td><td>18,0-25,0</td><td>37,0</td><td>8,0</td><td>38,5</td><td>40,0</td><td>40,0</td><td>44,5</td><td>Ø25,5</td></tr> <tr><td>Z5.504.3321.0</td><td>PG29</td><td>PG29</td><td>18,0-25,0</td><td>37,0</td><td>12,0</td><td>38,5</td><td>40,0</td><td>40,0</td><td>44,5</td><td>Ø25,5</td></tr> <tr><td>Z5.504.3421.0</td><td>PG36</td><td>PG 36</td><td>22,0-32,0</td><td>47,0</td><td>9,0</td><td>48,0</td><td>50,0</td><td>50,0</td><td>55,5</td><td>Ø32,5</td></tr> <tr><td>Z5.504.3521.0</td><td>PG36</td><td>PG36</td><td>22,0-32,0</td><td>47,0</td><td>14,0</td><td>48,0</td><td>50,0</td><td>50,0</td><td>55,5</td><td>Ø32,5</td></tr> </tbody> </table> | Wieland Teilenummer part number | Gewinde Verschraubung thread type of fitting | Gewinde Schraubkappe thread type of cap | Klemmbereich clamping range Ø min-max mm | Gewinde-Ø thread-Ø TD mm | Gewindelänge thread length TL mm | Höhe ohne Gewindelänge height without thread H mm | Verschraubung fitting SW1 mm | Schraubkappe cap SW2 mm | Außen-Ø outer-Ø D mm max. | Innen-Ø inner-Ø D mm min. | Z5.504.2021.0 | PG7 | PG 7 | 3,0-6,5 | 12,5 | 6,0 | 22,0 | 14,0 | 14,0 | 15,5 | Ø10,0 | Z5.504.2121.0 | PG7 | PG 7 | 3,0-6,5 | 12,5 | 10,0 | 22,0 | 14,0 | 14,0 | 15,5 | Ø10,0 | Z5.504.2221.0 | PG9 | PG 9 | 4,0-8,0 | 15,2 | 6,0 | 23,5 | 17,0 | 17,0 | 18,9 | Ø8,3 | Z5.504.2321.0 | PG9 | PG 9 | 4,0-8,0 | 15,2 | 10,0 | 23,5 | 17,0 | 17,0 | 18,9 | Ø8,3 | Z5.504.2421.0 | PG11 | PG 11 | 5,0-10,0 | 18,6 | 6,0 | 26,0 | 20,0 | 20,0 | 22,0 | Ø10,4 | Z5.504.2521.0 | PG11 | PG 11 | 5,0-10,0 | 18,6 | 10,0 | 26,0 | 20,0 | 20,0 | 22,0 | Ø10,4 | Z5.504.2621.0 | PG13,5 | PG 13,5 | 6,0-12,0 | 20,4 | 6,5 | 24,5 | 22,0 | 22,0 | 24,5 | Ø12,4 | Z5.504.2721.0 | PG13,5 | PG13,5 | 6,0-12,0 | 20,4 | 10,0 | 24,5 | 22,0 | 22,0 | 24,5 | Ø12,4 | Z5.504.2821.0 | PG16 | PG 16 | 10,0-14,0 | 22,5 | 6,5 | 28,0 | 24,0 | 24,0 | 26,5 | Ø14,4 | Z5.504.2921.0 | PG16 | PG16 | 10,0-14,0 | 22,5 | 10,0 | 28,0 | 24,0 | 24,0 | 26,5 | Ø14,4 | Z5.504.3021.0 | PG21 | PG 21 | 13,0-18,0 | 28,3 | 7,2 | 32,5 | 30,0 | 30,0 | 33,0 | Ø18,4 | Z5.504.3121.0 | PG21 | PG21 | 13,0-18,0 | 28,3 | 12,0 | 32,5 | 30,0 | 30,0 | 33,0 | Ø18,4 | Z5.504.3221.0 | PG29 | PG 29 | 18,0-25,0 | 37,0 | 8,0 | 38,5 | 40,0 | 40,0 | 44,5 | Ø25,5 | Z5.504.3321.0 | PG29 | PG29 | 18,0-25,0 | 37,0 | 12,0 | 38,5 | 40,0 | 40,0 | 44,5 | Ø25,5 | Z5.504.3421.0 | PG36 | PG 36 | 22,0-32,0 | 47,0 | 9,0 | 48,0 | 50,0 | 50,0 | 55,5 | Ø32,5 | Z5.504.3521.0 | PG36 | PG36 | 22,0-32,0 | 47,0 | 14,0 | 48,0 | 50,0 | 50,0 | 55,5 | Ø32,5 | <table border="1"> <tr><td>nach/according to</td><td>DIN EN 62444 / VDE 0619</td></tr> <tr><td>Gewinde gemäß/thread according to</td><td>DIN 40430</td></tr> <tr><td>Material Verschraubung/material fitting</td><td>Messing/brass PA 6 UL94-V2</td></tr> <tr><td>Material Verschraubungsdichtung/material seal of fitting</td><td>CR</td></tr> <tr><td>Material O-Ring/material O-ring</td><td>NBR</td></tr> <tr><td>Schutzklasse nach/protection class according to</td><td>DIN EN 60529 IP 66-68</td></tr> </table> | nach/according to | DIN EN 62444 / VDE 0619 | Gewinde gemäß/thread according to | DIN 40430 | Material Verschraubung/material fitting | Messing/brass PA 6 UL94-V2 | Material Verschraubungsdichtung/material seal of fitting | CR | Material O-Ring/material O-ring | NBR | Schutzklasse nach/protection class according to | DIN EN 60529 IP 66-68 | <p>frei von lackbenetzungsstörenden Substanzen (Silikonfrei)/ free from substances that prevent paint adhesion (silicon free)</p> <p>Weitere Daten siehe KATALOG oder eKatalog additional data see CATALOG or eCATALOG</p> <p>www.wieland-electric.com eshop.wieland-electric.com</p> |
|--|---|---|---|--|---|--|---|--|---|------------------------------------|---------------------------------|---------------------------------|---------------------------------|---------------|-----|------|---------|------|-----|------|------|------|------|-------|---------------|-----|------|---------|------|------|------|------|------|------|-------|---------------|-----|------|---------|------|-----|------|------|------|------|------|---------------|-----|------|---------|------|------|------|------|------|------|------|---------------|------|-------|----------|------|-----|------|------|------|------|-------|---------------|------|-------|----------|------|------|------|------|------|------|-------|---------------|--------|---------|----------|------|-----|------|------|------|------|-------|---------------|--------|--------|----------|------|------|------|------|------|------|-------|---------------|------|-------|-----------|------|-----|------|------|------|------|-------|---------------|------|------|-----------|------|------|------|------|------|------|-------|---------------|------|-------|-----------|------|-----|------|------|------|------|-------|---------------|------|------|-----------|------|------|------|------|------|------|-------|---------------|------|-------|-----------|------|-----|------|------|------|------|-------|---------------|------|------|-----------|------|------|------|------|------|------|-------|---------------|------|-------|-----------|------|-----|------|------|------|------|-------|---------------|------|------|-----------|------|------|------|------|------|------|-------|--|-------------------|-------------------------|-----------------------------------|-----------|---|----------------------------|--|----|---------------------------------|-----|---|-----------------------|---|
| | Wieland Teilenummer part number | Gewinde Verschraubung thread type of fitting | Gewinde Schraubkappe thread type of cap | Klemmbereich clamping range Ø min-max mm | Gewinde-Ø thread-Ø TD mm | Gewindelänge thread length TL mm | Höhe ohne Gewindelänge height without thread H mm | Verschraubung fitting SW1 mm | Schraubkappe cap SW2 mm | Außen-Ø outer-Ø D mm max. | Innen-Ø inner-Ø D mm min. | | | | | | | | | | | | | | | | | | | | | | | | | | | | | | | | | | | | | | | | | | | | | | | | | | | | | | | | | | | | | | | | | | | | | | | | | | | | | | | | | | | | | | | | | | | | | | | | | | | | | | | | | | | | | | | | | | | | | | | | | | | | | | | | | | | | | | | | | | | | | | | | | | | | | | | | | | | | | | | | | | | | | | | | | | | | | | | | | | | | | | | | | | | | | | | | |
| | Z5.504.2021.0 | PG7 | PG 7 | 3,0-6,5 | 12,5 | 6,0 | 22,0 | 14,0 | 14,0 | 15,5 | Ø10,0 | | | | | | | | | | | | | | | | | | | | | | | | | | | | | | | | | | | | | | | | | | | | | | | | | | | | | | | | | | | | | | | | | | | | | | | | | | | | | | | | | | | | | | | | | | | | | | | | | | | | | | | | | | | | | | | | | | | | | | | | | | | | | | | | | | | | | | | | | | | | | | | | | | | | | | | | | | | | | | | | | | | | | | | | | | | | | | | | | | | | | | | | | | | | | | | | |
| | Z5.504.2121.0 | PG7 | PG 7 | 3,0-6,5 | 12,5 | 10,0 | 22,0 | 14,0 | 14,0 | 15,5 | Ø10,0 | | | | | | | | | | | | | | | | | | | | | | | | | | | | | | | | | | | | | | | | | | | | | | | | | | | | | | | | | | | | | | | | | | | | | | | | | | | | | | | | | | | | | | | | | | | | | | | | | | | | | | | | | | | | | | | | | | | | | | | | | | | | | | | | | | | | | | | | | | | | | | | | | | | | | | | | | | | | | | | | | | | | | | | | | | | | | | | | | | | | | | | | | | | | | | | | |
| | Z5.504.2221.0 | PG9 | PG 9 | 4,0-8,0 | 15,2 | 6,0 | 23,5 | 17,0 | 17,0 | 18,9 | Ø8,3 | | | | | | | | | | | | | | | | | | | | | | | | | | | | | | | | | | | | | | | | | | | | | | | | | | | | | | | | | | | | | | | | | | | | | | | | | | | | | | | | | | | | | | | | | | | | | | | | | | | | | | | | | | | | | | | | | | | | | | | | | | | | | | | | | | | | | | | | | | | | | | | | | | | | | | | | | | | | | | | | | | | | | | | | | | | | | | | | | | | | | | | | | | | | | | | | |
| | Z5.504.2321.0 | PG9 | PG 9 | 4,0-8,0 | 15,2 | 10,0 | 23,5 | 17,0 | 17,0 | 18,9 | Ø8,3 | | | | | | | | | | | | | | | | | | | | | | | | | | | | | | | | | | | | | | | | | | | | | | | | | | | | | | | | | | | | | | | | | | | | | | | | | | | | | | | | | | | | | | | | | | | | | | | | | | | | | | | | | | | | | | | | | | | | | | | | | | | | | | | | | | | | | | | | | | | | | | | | | | | | | | | | | | | | | | | | | | | | | | | | | | | | | | | | | | | | | | | | | | | | | | | | |
| Z5.504.2421.0 | PG11 | PG 11 | 5,0-10,0 | 18,6 | 6,0 | 26,0 | 20,0 | 20,0 | 22,0 | Ø10,4 | | | | | | | | | | | | | | | | | | | | | | | | | | | | | | | | | | | | | | | | | | | | | | | | | | | | | | | | | | | | | | | | | | | | | | | | | | | | | | | | | | | | | | | | | | | | | | | | | | | | | | | | | | | | | | | | | | | | | | | | | | | | | | | | | | | | | | | | | | | | | | | | | | | | | | | | | | | | | | | | | | | | | | | | | | | | | | | | | | | | | | | | | | | | | | | | | |
| Z5.504.2521.0 | PG11 | PG 11 | 5,0-10,0 | 18,6 | 10,0 | 26,0 | 20,0 | 20,0 | 22,0 | Ø10,4 | | | | | | | | | | | | | | | | | | | | | | | | | | | | | | | | | | | | | | | | | | | | | | | | | | | | | | | | | | | | | | | | | | | | | | | | | | | | | | | | | | | | | | | | | | | | | | | | | | | | | | | | | | | | | | | | | | | | | | | | | | | | | | | | | | | | | | | | | | | | | | | | | | | | | | | | | | | | | | | | | | | | | | | | | | | | | | | | | | | | | | | | | | | | | | | | | |
| Z5.504.2621.0 | PG13,5 | PG 13,5 | 6,0-12,0 | 20,4 | 6,5 | 24,5 | 22,0 | 22,0 | 24,5 | Ø12,4 | | | | | | | | | | | | | | | | | | | | | | | | | | | | | | | | | | | | | | | | | | | | | | | | | | | | | | | | | | | | | | | | | | | | | | | | | | | | | | | | | | | | | | | | | | | | | | | | | | | | | | | | | | | | | | | | | | | | | | | | | | | | | | | | | | | | | | | | | | | | | | | | | | | | | | | | | | | | | | | | | | | | | | | | | | | | | | | | | | | | | | | | | | | | | | | | | |
| Z5.504.2721.0 | PG13,5 | PG13,5 | 6,0-12,0 | 20,4 | 10,0 | 24,5 | 22,0 | 22,0 | 24,5 | Ø12,4 | | | | | | | | | | | | | | | | | | | | | | | | | | | | | | | | | | | | | | | | | | | | | | | | | | | | | | | | | | | | | | | | | | | | | | | | | | | | | | | | | | | | | | | | | | | | | | | | | | | | | | | | | | | | | | | | | | | | | | | | | | | | | | | | | | | | | | | | | | | | | | | | | | | | | | | | | | | | | | | | | | | | | | | | | | | | | | | | | | | | | | | | | | | | | | | | | |
| Z5.504.2821.0 | PG16 | PG 16 | 10,0-14,0 | 22,5 | 6,5 | 28,0 | 24,0 | 24,0 | 26,5 | Ø14,4 | | | | | | | | | | | | | | | | | | | | | | | | | | | | | | | | | | | | | | | | | | | | | | | | | | | | | | | | | | | | | | | | | | | | | | | | | | | | | | | | | | | | | | | | | | | | | | | | | | | | | | | | | | | | | | | | | | | | | | | | | | | | | | | | | | | | | | | | | | | | | | | | | | | | | | | | | | | | | | | | | | | | | | | | | | | | | | | | | | | | | | | | | | | | | | | | | |
| Z5.504.2921.0 | PG16 | PG16 | 10,0-14,0 | 22,5 | 10,0 | 28,0 | 24,0 | 24,0 | 26,5 | Ø14,4 | | | | | | | | | | | | | | | | | | | | | | | | | | | | | | | | | | | | | | | | | | | | | | | | | | | | | | | | | | | | | | | | | | | | | | | | | | | | | | | | | | | | | | | | | | | | | | | | | | | | | | | | | | | | | | | | | | | | | | | | | | | | | | | | | | | | | | | | | | | | | | | | | | | | | | | | | | | | | | | | | | | | | | | | | | | | | | | | | | | | | | | | | | | | | | | | | |
| Z5.504.3021.0 | PG21 | PG 21 | 13,0-18,0 | 28,3 | 7,2 | 32,5 | 30,0 | 30,0 | 33,0 | Ø18,4 | | | | | | | | | | | | | | | | | | | | | | | | | | | | | | | | | | | | | | | | | | | | | | | | | | | | | | | | | | | | | | | | | | | | | | | | | | | | | | | | | | | | | | | | | | | | | | | | | | | | | | | | | | | | | | | | | | | | | | | | | | | | | | | | | | | | | | | | | | | | | | | | | | | | | | | | | | | | | | | | | | | | | | | | | | | | | | | | | | | | | | | | | | | | | | | | | |
| Z5.504.3121.0 | PG21 | PG21 | 13,0-18,0 | 28,3 | 12,0 | 32,5 | 30,0 | 30,0 | 33,0 | Ø18,4 | | | | | | | | | | | | | | | | | | | | | | | | | | | | | | | | | | | | | | | | | | | | | | | | | | | | | | | | | | | | | | | | | | | | | | | | | | | | | | | | | | | | | | | | | | | | | | | | | | | | | | | | | | | | | | | | | | | | | | | | | | | | | | | | | | | | | | | | | | | | | | | | | | | | | | | | | | | | | | | | | | | | | | | | | | | | | | | | | | | | | | | | | | | | | | | | | |
| Z5.504.3221.0 | PG29 | PG 29 | 18,0-25,0 | 37,0 | 8,0 | 38,5 | 40,0 | 40,0 | 44,5 | Ø25,5 | | | | | | | | | | | | | | | | | | | | | | | | | | | | | | | | | | | | | | | | | | | | | | | | | | | | | | | | | | | | | | | | | | | | | | | | | | | | | | | | | | | | | | | | | | | | | | | | | | | | | | | | | | | | | | | | | | | | | | | | | | | | | | | | | | | | | | | | | | | | | | | | | | | | | | | | | | | | | | | | | | | | | | | | | | | | | | | | | | | | | | | | | | | | | | | | | |
| Z5.504.3321.0 | PG29 | PG29 | 18,0-25,0 | 37,0 | 12,0 | 38,5 | 40,0 | 40,0 | 44,5 | Ø25,5 | | | | | | | | | | | | | | | | | | | | | | | | | | | | | | | | | | | | | | | | | | | | | | | | | | | | | | | | | | | | | | | | | | | | | | | | | | | | | | | | | | | | | | | | | | | | | | | | | | | | | | | | | | | | | | | | | | | | | | | | | | | | | | | | | | | | | | | | | | | | | | | | | | | | | | | | | | | | | | | | | | | | | | | | | | | | | | | | | | | | | | | | | | | | | | | | | |
| Z5.504.3421.0 | PG36 | PG 36 | 22,0-32,0 | 47,0 | 9,0 | 48,0 | 50,0 | 50,0 | 55,5 | Ø32,5 | | | | | | | | | | | | | | | | | | | | | | | | | | | | | | | | | | | | | | | | | | | | | | | | | | | | | | | | | | | | | | | | | | | | | | | | | | | | | | | | | | | | | | | | | | | | | | | | | | | | | | | | | | | | | | | | | | | | | | | | | | | | | | | | | | | | | | | | | | | | | | | | | | | | | | | | | | | | | | | | | | | | | | | | | | | | | | | | | | | | | | | | | | | | | | | | | |
| Z5.504.3521.0 | PG36 | PG36 | 22,0-32,0 | 47,0 | 14,0 | 48,0 | 50,0 | 50,0 | 55,5 | Ø32,5 | | | | | | | | | | | | | | | | | | | | | | | | | | | | | | | | | | | | | | | | | | | | | | | | | | | | | | | | | | | | | | | | | | | | | | | | | | | | | | | | | | | | | | | | | | | | | | | | | | | | | | | | | | | | | | | | | | | | | | | | | | | | | | | | | | | | | | | | | | | | | | | | | | | | | | | | | | | | | | | | | | | | | | | | | | | | | | | | | | | | | | | | | | | | | | | | | |
| nach/according to | DIN EN 62444 / VDE 0619 | | | | | | | | | | | | | | | | | | | | | | | | | | | | | | | | | | | | | | | | | | | | | | | | | | | | | | | | | | | | | | | | | | | | | | | | | | | | | | | | | | | | | | | | | | | | | | | | | | | | | | | | | | | | | | | | | | | | | | | | | | | | | | | | | | | | | | | | | | | | | | | | | | | | | | | | | | | | | | | | | | | | | | | | | | | | | | | | | | | | | | | | | | | | | | | | | | | | | | | | | | |
| Gewinde gemäß/thread according to | DIN 40430 | | | | | | | | | | | | | | | | | | | | | | | | | | | | | | | | | | | | | | | | | | | | | | | | | | | | | | | | | | | | | | | | | | | | | | | | | | | | | | | | | | | | | | | | | | | | | | | | | | | | | | | | | | | | | | | | | | | | | | | | | | | | | | | | | | | | | | | | | | | | | | | | | | | | | | | | | | | | | | | | | | | | | | | | | | | | | | | | | | | | | | | | | | | | | | | | | | | | | | | | | | |
| Material Verschraubung/material fitting | Messing/brass PA 6 UL94-V2 | | | | | | | | | | | | | | | | | | | | | | | | | | | | | | | | | | | | | | | | | | | | | | | | | | | | | | | | | | | | | | | | | | | | | | | | | | | | | | | | | | | | | | | | | | | | | | | | | | | | | | | | | | | | | | | | | | | | | | | | | | | | | | | | | | | | | | | | | | | | | | | | | | | | | | | | | | | | | | | | | | | | | | | | | | | | | | | | | | | | | | | | | | | | | | | | | | | | | | | | | | |
| Material Verschraubungsdichtung/material seal of fitting | CR | | | | | | | | | | | | | | | | | | | | | | | | | | | | | | | | | | | | | | | | | | | | | | | | | | | | | | | | | | | | | | | | | | | | | | | | | | | | | | | | | | | | | | | | | | | | | | | | | | | | | | | | | | | | | | | | | | | | | | | | | | | | | | | | | | | | | | | | | | | | | | | | | | | | | | | | | | | | | | | | | | | | | | | | | | | | | | | | | | | | | | | | | | | | | | | | | | | | | | | | | | |
| Material O-Ring/material O-ring | NBR | | | | | | | | | | | | | | | | | | | | | | | | | | | | | | | | | | | | | | | | | | | | | | | | | | | | | | | | | | | | | | | | | | | | | | | | | | | | | | | | | | | | | | | | | | | | | | | | | | | | | | | | | | | | | | | | | | | | | | | | | | | | | | | | | | | | | | | | | | | | | | | | | | | | | | | | | | | | | | | | | | | | | | | | | | | | | | | | | | | | | | | | | | | | | | | | | | | | | | | | | | |
| Schutzklasse nach/protection class according to | DIN EN 60529 IP 66-68 | | | | | | | | | | | | | | | | | | | | | | | | | | | | | | | | | | | | | | | | | | | | | | | | | | | | | | | | | | | | | | | | | | | | | | | | | | | | | | | | | | | | | | | | | | | | | | | | | | | | | | | | | | | | | | | | | | | | | | | | | | | | | | | | | | | | | | | | | | | | | | | | | | | | | | | | | | | | | | | | | | | | | | | | | | | | | | | | | | | | | | | | | | | | | | | | | | | | | | | | | | |
| <p>Toleranz System Size ISO 14005 © / Tolerance system Size ISO 14005 ©</p> <p>(This ISO-standard describes the envelope principle. According to the envelope principle the deviations of form and position are limited by the size tolerances)</p> <p>Freitoleranz nach General tolerance</p> <p>ISO - Zeichnung, keine manuellen Änderungen allowed ISO - drawing, no manual modifications allowed</p> <p>Blatt: 1 von 1 Sheet: 1 of 1</p> | | <p>Material / Werkstoff / Material</p> <p>2.1</p> <p>Maße in mm / Dimensions are in mm</p> <p>KABELVERSCHRAUBUNG</p> <p>PG, Metall PG, metal</p> | | | | | | | | | | | | | | | | | | | | | | | | | | | | | | | | | | | | | | | | | | | | | | | | | | | | | | | | | | | | | | | | | | | | | | | | | | | | | | | | | | | | | | | | | | | | | | | | | | | | | | | | | | | | | | | | | | | | | | | | | | | | | | | | | | | | | | | | | | | | | | | | | | | | | | | | | | | | | | | | | | | | | | | | | | | | | | | | | | | | | | | | | | | | | | | | | | | | | | | | | |