



Weatherproof housing

SICK
Sensor Intelligence.



Illustration may differ

Ordering information

Type	Part no.
Weatherproof housing	2087690

Other models and accessories → www.sick.com/

Detailed technical data

Technical specifications

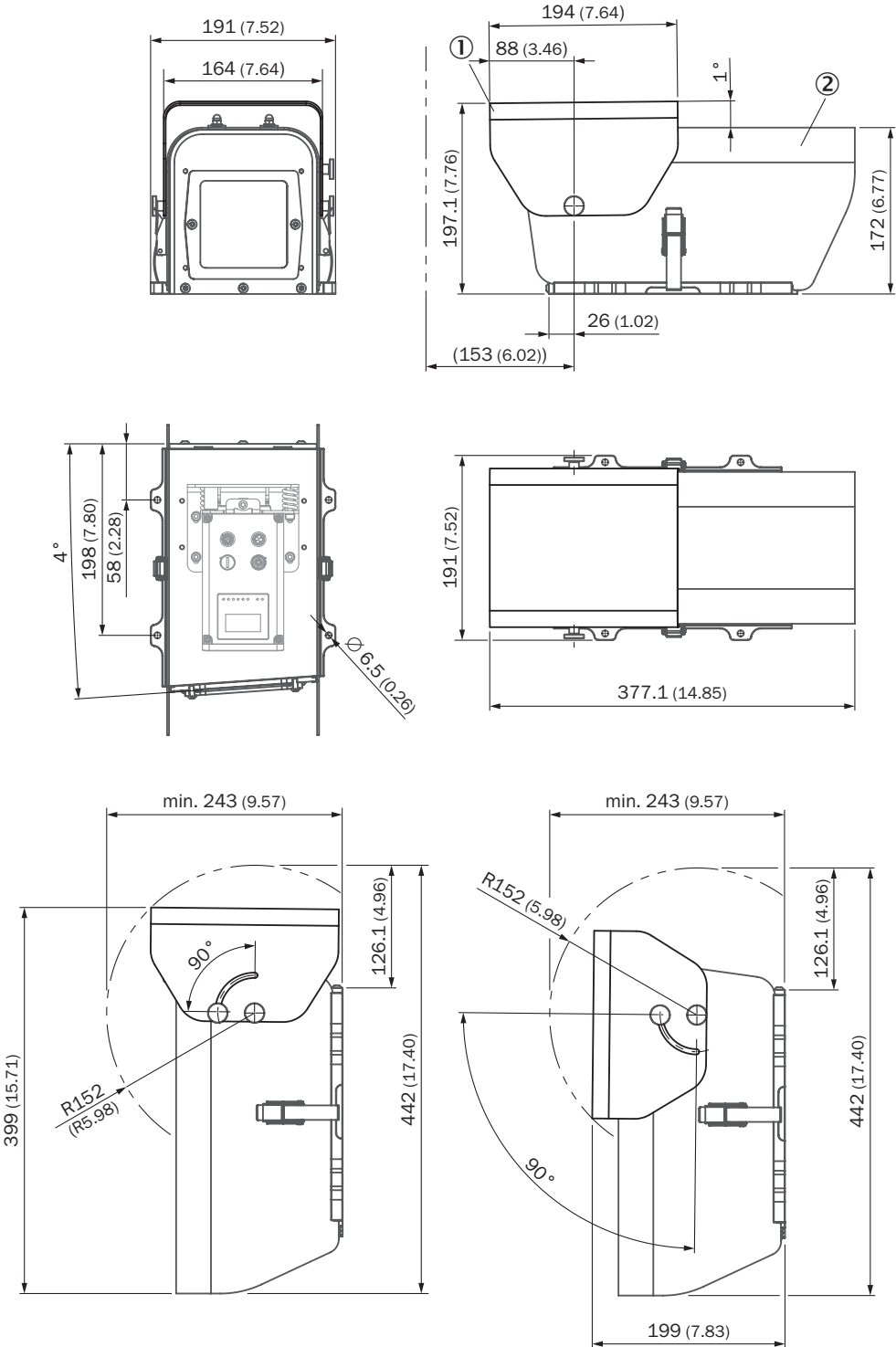
Accessory group	Device protection (mechanical)
Accessory family	Protective housings and protective pipes
Items supplied	Weatherproof housing (BEF-AH-DX1000, tube for weatherproof housing and rain cover for protective housing are not included with delivery)
Description	Can be opened upward without tools. Conductor for connections on the back. Due to space constraints, connecting cables with 90° angled, pre-assembled male connectors/female connectors are required.
Weight	3 kg

Classifications

eCl@ss 5.0	27279202
eCl@ss 5.1.4	27279202
eCl@ss 6.0	27279202
eCl@ss 6.2	27279202
eCl@ss 7.0	27279202
eCl@ss 8.0	27279202
eCl@ss 8.1	27279202
eCl@ss 9.0	27273701
eCl@ss 10.0	27273701
eCl@ss 11.0	27273701
eCl@ss 12.0	27273701
ETIM 5.0	EC000200
ETIM 6.0	EC000200
ETIM 7.0	EC000200
ETIM 8.0	EC000200
UNSPSC 16.0901	32131023

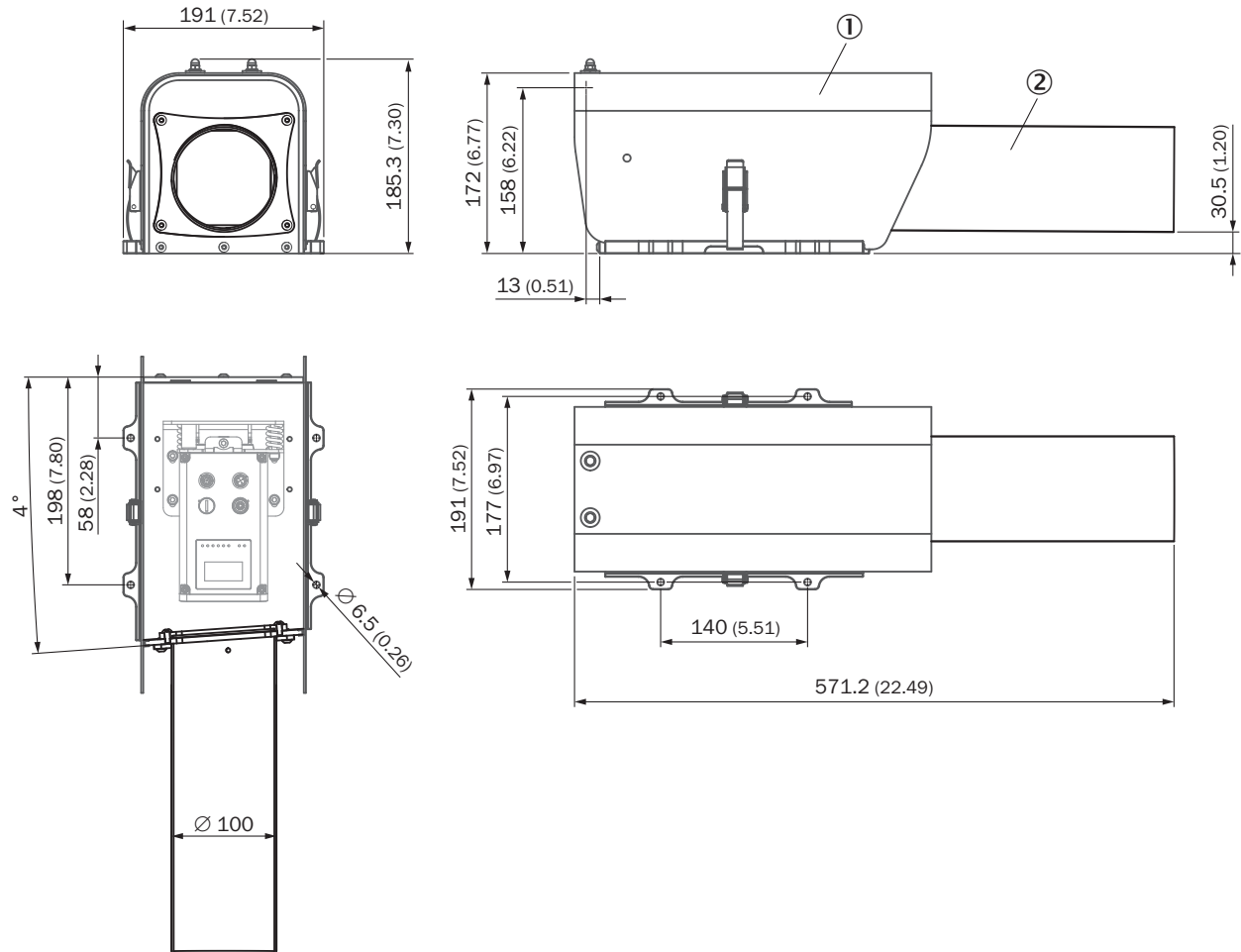
Dimensional drawing (Dimensions in mm (inch))

Weatherproof housing with rain cover



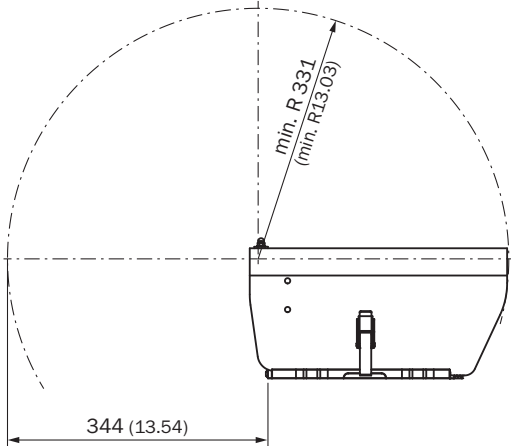
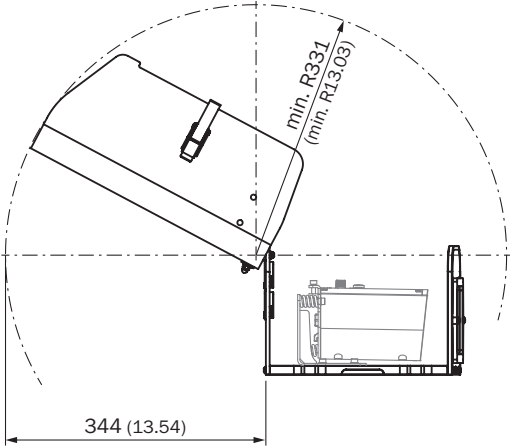
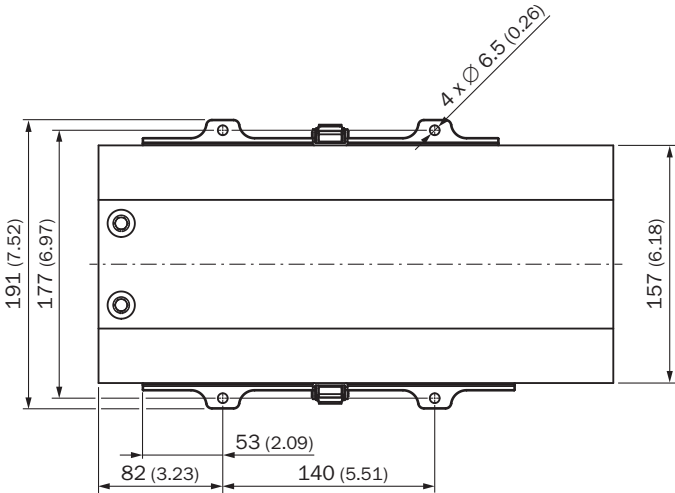
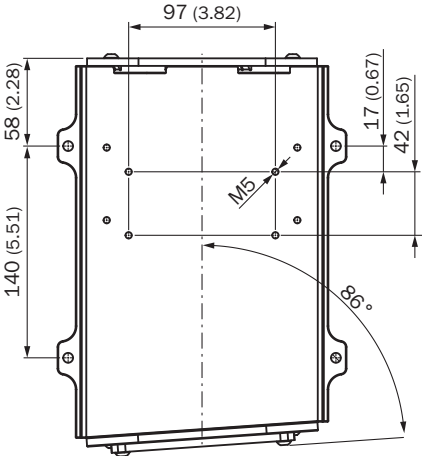
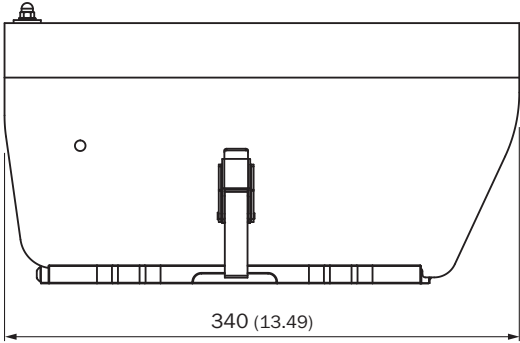
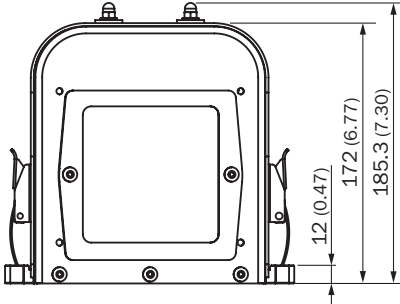
- ① Rain cover for protective housing (part number 2087695)
- ② Weatherproof housing (part number 2087690)

Weatherproof housing with tube



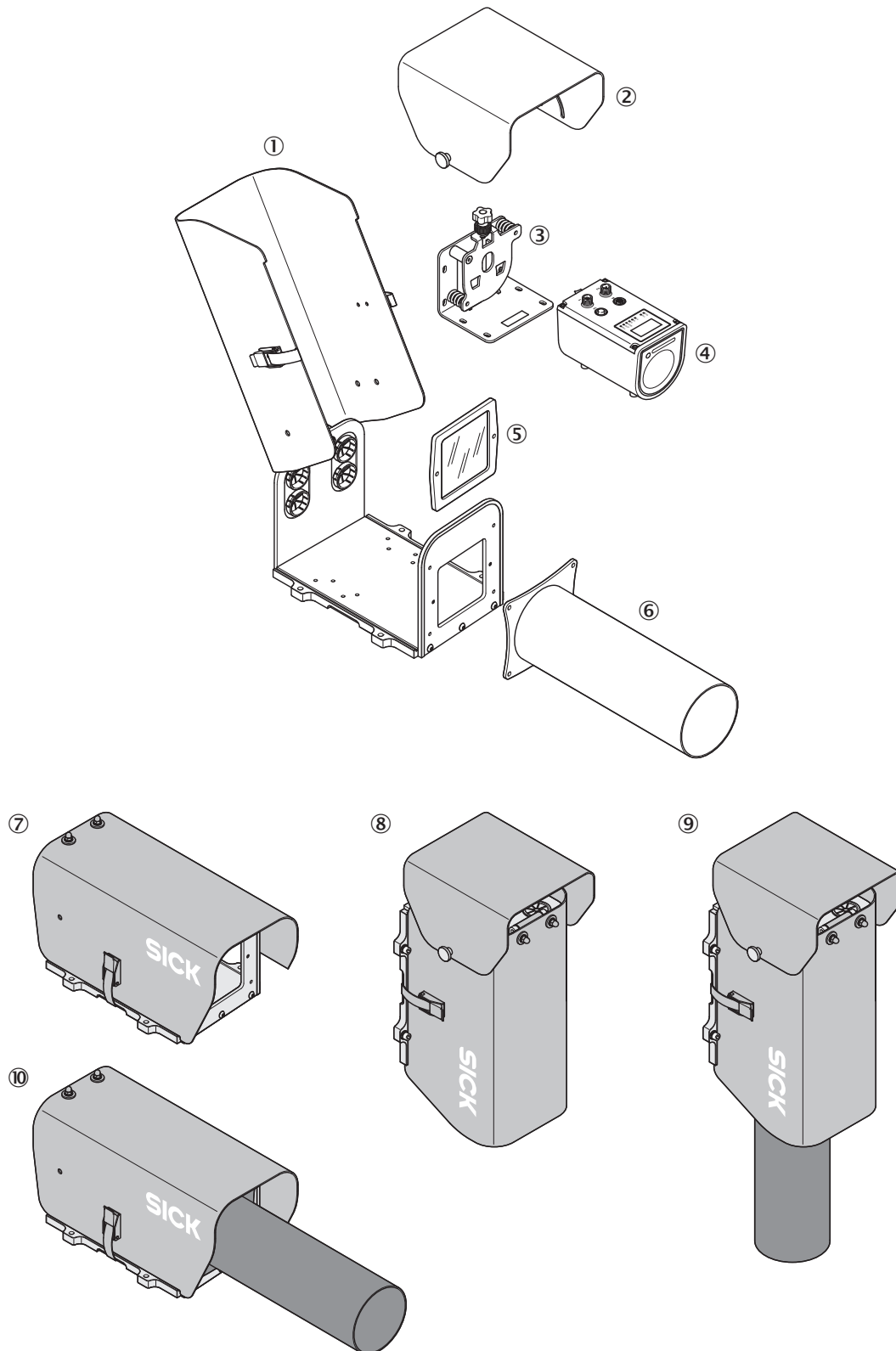
- ① Weatherproof housing (part number 2087690)
- ② Tube for weatherproof housing (part number 2087693)

Weatherproof housing



Instruction for installation

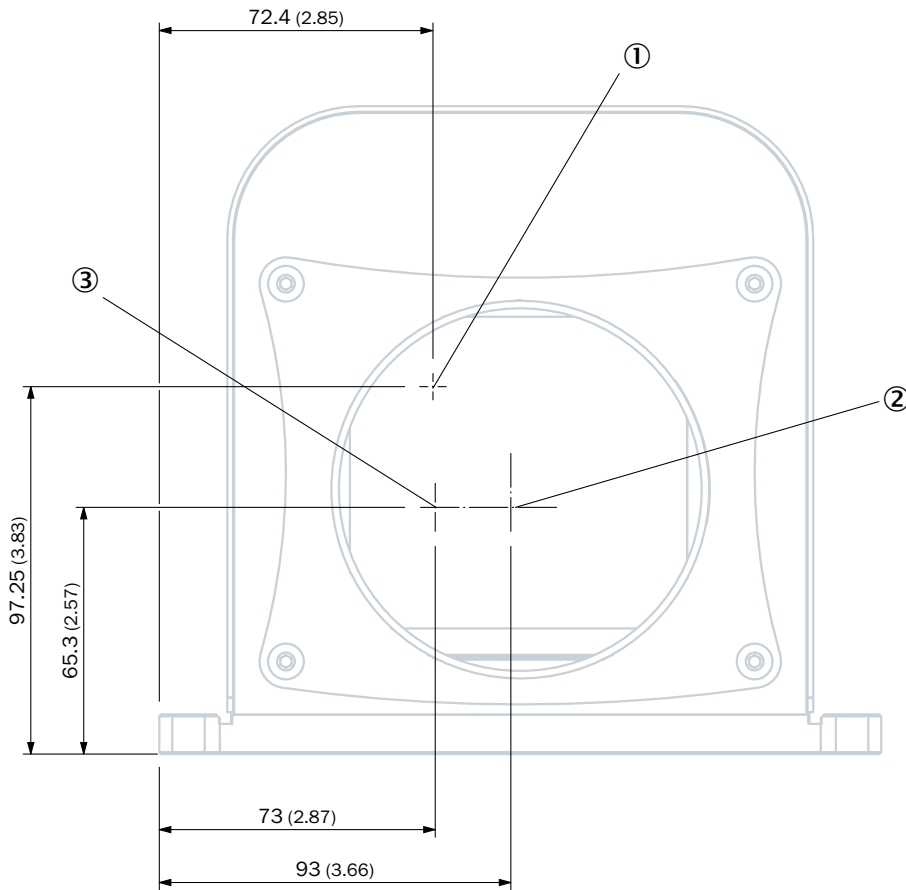
Weatherproof housing



- ① Weatherproof housing (part number 2087690)
- ② Rain cover for protective housing (part number 2087695)
- ③ Alignment bracket (part number 2080392)

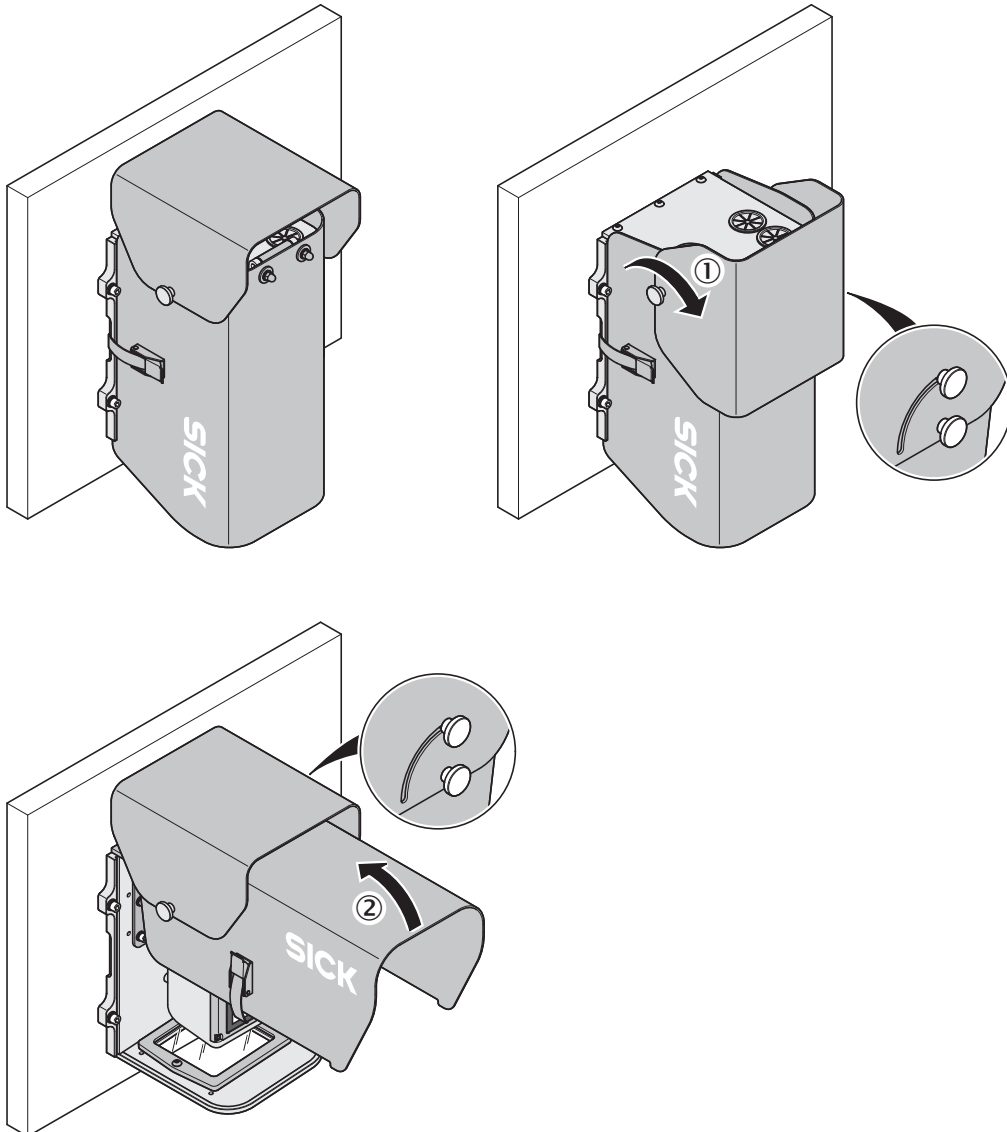
- ④ Dx1000
- ⑤ Front screen (part number 4090054)
- ⑥ Tube (part number 2087693)
- ⑦ Mounting variant, protective housing
- ⑧ Mounting variant, protective housing with rain cover for protective housing
- ⑨ Mounting variant, protective housing with rain cover for protective housing and tube
- ⑩ Mounting variant, protective housing with tube

Position laser axes



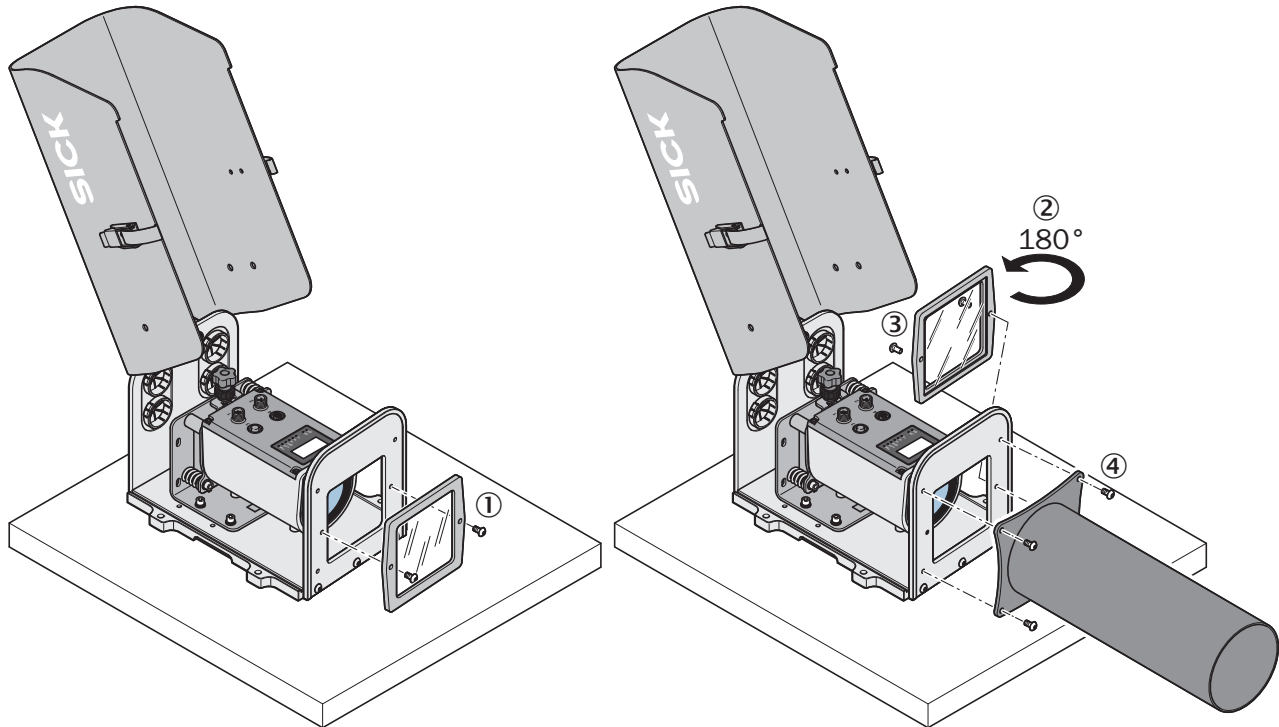
- ① Optical axis, alignment laser
- ② Optical axis, receiver
- ③ Optical axis, measuring laser

Weatherproof housing with rain cover



- ① Unscrew the knurled nut and fold the rain cover (part number 2087690) forward and over the protective housing (part number 2087695)
- ② Open the protective housing and fold up the top

Weatherproof housing with tube



- ① Remove the front screen from the outside of the housing
- ② Rotate the front screen 180° through the horizontal axis
- ③ Attach the front screen to the inside of the housing
- ④ Attach the tube to the outside of the housing

SICK AT A GLANCE

SICK is one of the leading manufacturers of intelligent sensors and sensor solutions for industrial applications. A unique range of products and services creates the perfect basis for controlling processes securely and efficiently, protecting individuals from accidents and preventing damage to the environment.

We have extensive experience in a wide range of industries and understand their processes and requirements. With intelligent sensors, we can deliver exactly what our customers need. In application centers in Europe, Asia and North America, system solutions are tested and optimized in accordance with customer specifications. All this makes us a reliable supplier and development partner.

Comprehensive services complete our offering: SICK LifeTime Services provide support throughout the machine life cycle and ensure safety and productivity.

For us, that is “Sensor Intelligence.”

WORLDWIDE PRESENCE:

Contacts and other locations –www.sick.com