



INSTRUCTIONS TO USE

>>> SUNNEX TASK LIGHTING SERIES <<<



General information	4
Warranty policy	5
About Sunnex task lighting products	6
Symbols	7
Spotlight LED	
>>> Sunnex Pluto	8
>>> Sunnex Tellus	10
>>> Sunnex Solus 6	12
>>> Sunnex Solus 9	14
>>> Sunnex Lumius	16
>>> Sunnex LS	18
>>> Sunnex LT	20
Spotlight Halogen	
>>> Sunnex HT	22
>>> Sunnex HS	24
>>> Sunnex HM	26
>>> Sunnex HF	28
General Lighting	
>>> Sunnex CL	30
Replacements parts	32
Accessories	37



The task lighting series in this brochure are sold in Sunnex standard design in accordance with information about quality and design stated here, or upon special inquiry, supplied by Sunnex. Variation may arise in certain components.

To avoid risk of injury, all assembly and installation shall be performed by personnel with necessary knowledge about the product, its installation and user environment.

The products shall, where appropriate, be installed as per applicable installation instructions. The product shall be installed and used in accordance with applicable electrical regulations for the country in which it is used and other applicable regulations in the area.

Because halogen bulbs produce significant heat, necessary precautions

must be taken to avoid risk of fire and resulting damage.

Sunnex will not be held accountable for design changes made after the printing of this brochure.

This brochure replaces all previous information about the products it contains.

Sunnex is certified according to ISO 14001:2004
& ISO 9001:2008



WARRANTY POLICY



Sunnex warrants that products in this document "Instructions to use" shall be free from defects in material and workmanship and this warranty shall remain in force and effect for a period of three (3) years from and after the date of its delivery ("Warranty Period") provided that this warranty shall be subject the following conditions:

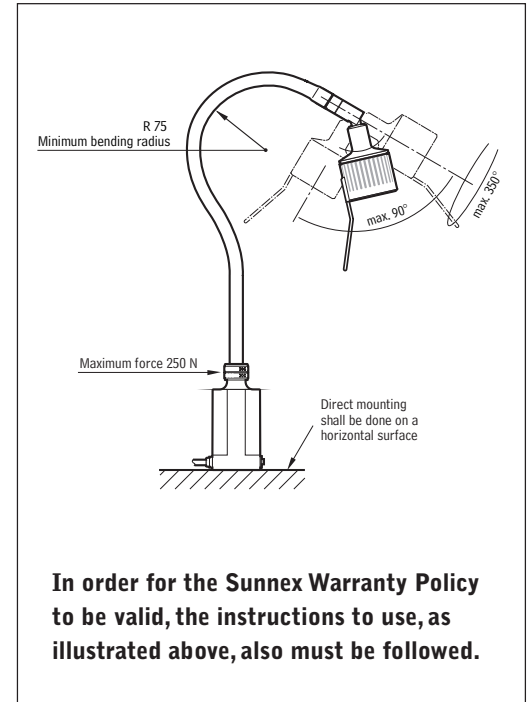
- (a) The Sunnex installation instructions shall have been strictly complied with in all respects by the party performing the installation of the product.
- (b) The product shall have been used only for the purposes for which it is intended and shall not have been abused, damaged or modified during installation or from usage.
 - ★ The product cannot be altered, equipped with other components or accessories than originally supplied.
- (c) Ordinary wear and tear shall not be covered by the terms of this warranty.
- (d) Written notice to Sunnex of the defective product shall be given within the Warranty Period.

If a product is found to be defective and the provisions of this section have been complied, Sunnex will repair or replace the product, at its expense.

Other than as herein expressly set forth there are no warranties made or given herein with respect to a product and the warranties given in statement are in lieu of all other warranties, which are hereby disclaimed. In particular, there are no express or implied warranties, and no warranty of merchantability or fitness for a particular purpose. Sunnex will not be liable for any special, indirect, incidental or consequential damage, loss, cost or expense whatsoever arising from the installation or use of a product or from any other cause.

Karlstad, June 20, 2016

Matthias Eriksson
CEO



In order for the Sunnex Warranty Policy to be valid, the instructions to use, as illustrated above, also must be followed.

ABOUT SUNNEX TASK LIGHTING PRODUCTS



>>> **CHOOSE THE RIGHT LIGHTING**

There are different task lighting series available from Sunnex. Each series is designed with its own unique properties as regards light ergonomics, heat production, adjustability and impact resistance.

Together with each task lighting series, you will find a Lux diagram that shows the intensity and distribution of light produced by each particular lamp. The measurement is taken at a distance of 0,5 meters. Using the Lux diagram, you can select which product will produce the particular light qualities you desire.

✱ There are also other features that can affect your choice of the right tasklight for your application, please find more info on www.sunnex.se or contact us.

>>> **MOUNTING EQUIPMENT**

Standard mounting equipment for all Sunnex lights is a base with four holes for direct mounting. Should you wish to have a different means of attachment, such as a C-clamp or a magnetic

base, you can order this separately.

>>> **DIFFERENT KINDS OF ARMS**

Choose between a bendable flexible gooseneck arm and a spotlight arm. Some models can also be equipped with an articulated arm.

>>> **VOLTAGE**

In most cases, Sunnex task lighting is available for any of the following voltages; 12, 24, 120 and 230V.

Make sure that the power supply connection voltage corresponds to the rated voltage, see label on your lamp.

>>> **SAFETY STANDARDS**

Sunnex lighting products are designed and manufactured according to applicable safety standards and regulations. Some models have endorsements from both European and American testing institutes. Sunnex is constantly developing the lighting designs, and certain models may have received different approvals

since this brochure was printed.

Please contact your local dealer, or Sunnex directly, for updated information on which approvals a particular model currently holds.

>>> **CLASSIFICATION SYSTEM**

To classify lighting equipment for its resistance to contact with, and penetration by, solid objects and water, we use the IP-Class system. Unless otherwise stated, all Sunnex task lighting meets requirements IP20. This is an industry standard, implying a certain resistance to dust. Most Sunnex standard task lights are also available in IP65, which means that it is both dust-proof and water resistant.

>>> **STANDARD COLOURS**

The standard colour for Sunnex task lighting, unless otherwise stated, is black. Some models are also available in the optional colour off-white, RAL 9002.



>>> SAFETY STANDARDS AND REGULATIONS

All Sunnex lighting products are designed and manufactured according to the following European regulations: Sunnex Lighting products are made according to Directive 2002/95/EEC, Restriction of Hazardous Substances in electrical and electronic equipment (RoHS). Sunnex company is also fulfilling its obligations towards the Directive 2002/96/EEC, Waste of Electrical and Electronic Equipment (WEEE) as a member of the Swedish organization El-Kretsen, see also www.el-kretsen.se.

Our products comply with the regulations in the REACH directive -1907/2006/EC, as to the candidate list of SVHC's (Substances of Very High Concern). Updates of the candidate list are regularly published. Where applicable Sunnex products also comply to the EMC-directive -2004/108/EEC and Low Voltage directive -2006/95/EC.



>>> THE CE MARK

For products falling under the scope of any of the CE marking directives, the CE mark is mandatory.



>>> THE S MARK

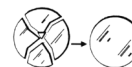
The S mark is evidence that the product has been tested and approved by Intertek as meeting minimum requirements of prescribed and harmonized European Union standards.



>>> THE ENEC MARK

The ENEC mark certifies the compliance of a product with the harmonized European Union standards.

>>> OTHER SYMBOLS



Replace a broken lens by a new lens



Protection class II



Plug-in adapter



Low pressure bulb



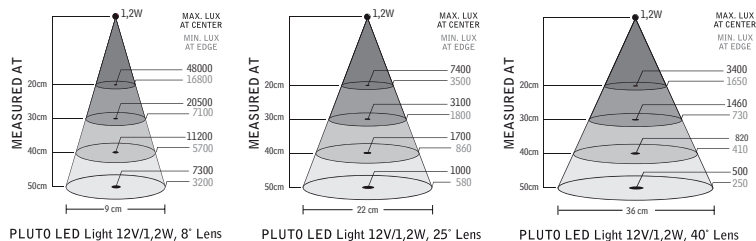
This product must be sorted as Waste from Electrical and Electronic Equipment (WEEE)

SUNNEX PLUTO – 1W LED



>>> TECHNICAL DATA

Main voltage:	12-24V AC/DC
Nominal effect:	1,2W, 70Lm
Class:	III
IP-Class:	IP20
Beam angle:	25° standard (8° & 40° included)
Available:	AC/DC-Adapter 230/12VDC-12VA



>>> MOUNTING INSTRUCTIONS

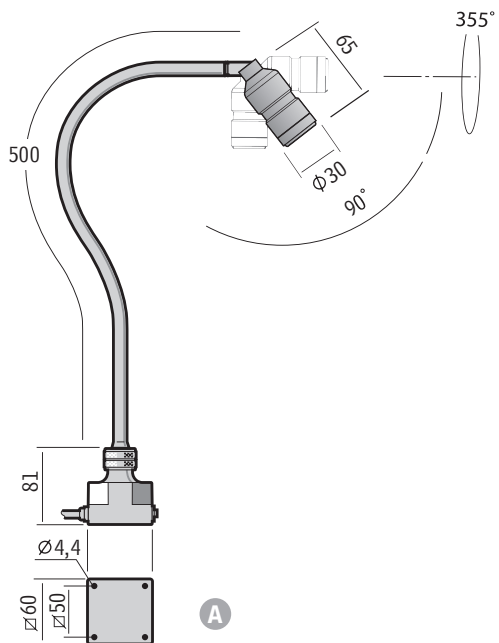
Mount the lamp on a horizontal surface with the four attached M4-screws. Hole pattern, see dimensional drawing on page 9. Available for the Gooseneck arm is Sunnex mounting accessories; Magnetic base, C-clamp, Wall bracket and Desktop base. Plug in the AC/DC-Adapter to 230V main socket.

>>> NOTE

Use only Sunnex original parts to secure the function and performance of Sunnex lighting series.

Contact your local dealer if you are unsure how to handle replacements on Sunnex Pluto.

SUNNEX PLUTO – 1W LED



A Sunnex PLUTO – Gooseneck arm

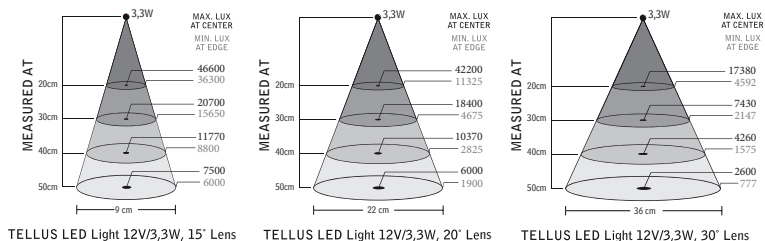
- »» Arm length; 500mm
- »» 12-24V AC/DC - sub base
- »» Service life, LED light source >25 000 hours
- »» With swivel joint on lamp head
- »» IP 20
- »» Colour; Black

SUNNEX TELLUS – 3W LED



>>> TECHNICAL DATA

Main voltage: **12-24V AC/DC**
Nominal effect: **3,3W, 230Lm**
Class: **III**
IP-Class: **IP20, IP43 or IP65**
Dimmer: **Available**
Beam angle: **15° (30° Dim) standard (20° or 30° optional)**
Available: **AC/DC-Adapter 230/12VDC-12VA**



>>> MOUNTING INSTRUCTIONS

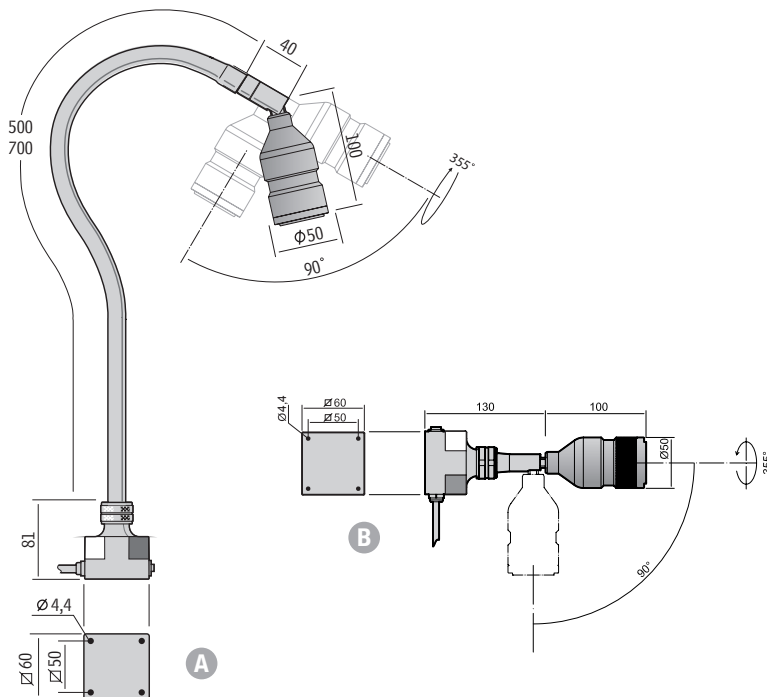
Mount the lamp on a horizontal surface with the four attached M4-screws. Hole pattern, see dimensional drawing on page 11. Available for the Gooseneck arm and Spot arm are also Sunnex mounting accessories; Magnetic base, C-clamp, Wall bracket and Desktop base. Plug in the AC/DC-Adapter to 230V main socket.

>>> NOTE

Use only Sunnex original parts to secure the function and performance of Sunnex lighting series.

Contact your local dealer if you are unsure how to handle replacements on Sunnex Tellus.

SUNNEX TELLUS – 3W LED



A Sunnex TELLUS – Gooseneck arm

- »» Arm length; 500 or 700 mm
- »» 12-24V AC/DC - sub base
- »» Service life, LED light source >25 000 hours
- »» With or without swivel joint lamp head
- »» With or without dimmer
- »» IP-Class; IP20, IP43, IP65 (Depending on version)
- »» Colour; Black

B Sunnex TELLUS – Spot arm

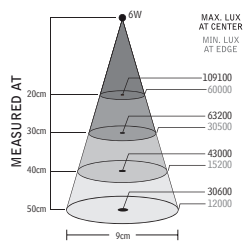
- »» 12-24V AC/DC - sub base
- »» Service life, LED light source >25 000 hours
- »» With single swivel Joint on lamp head
- »» IP 20
- »» Colour; Black

SUNNEX SOLUS 6 – 6W LED

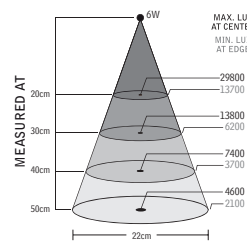


>>> TECHNICAL DATA

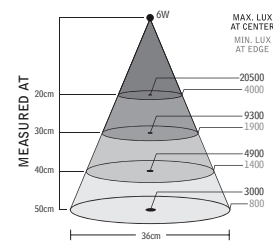
Main voltage:	12-24V AC/DC
Nominal effect:	5,5W, 300Lm
Class:	III
IP-Class:	IP20 or IP65
Beam angle:	10° standard (25° or 40° optional)
Available:	AC/DC-Adapter 230/12VDC-12VA



SOLUS 6 LED Light, 12V/6W, 10°



SOLUS 6 LED Light, 12V/6W, 25°



SOLUS 6 LED Light, 12V/6W, 40°

>>> MOUNTING INSTRUCTIONS

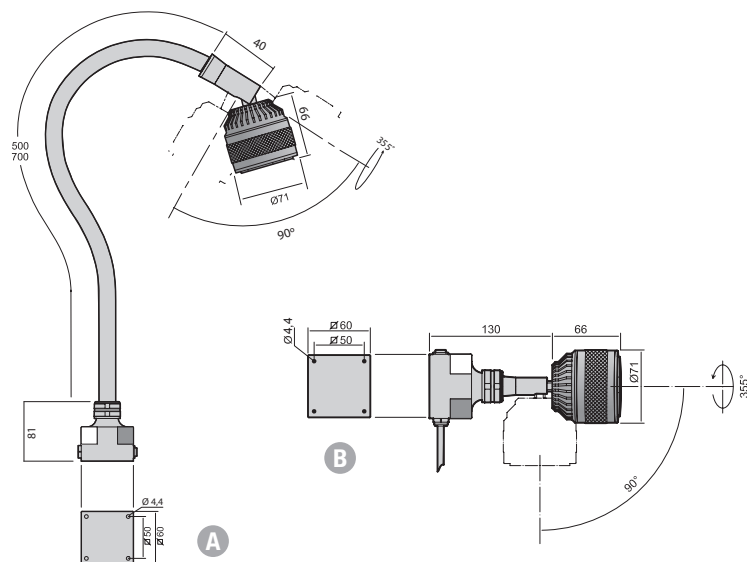
Mount the lamp on a horizontal surface with the four attached M4-screws. Hole pattern, see dimensional drawing on page 13. Available for the Gooseneck arm and Spot arm are also Sunnex mounting accessories; Magnetic base, C-clamp, Wall bracket and Desktop base. Plug in the AC/DC-Adapter to 230V main socket.

>>> NOTE

Use only Sunnex original parts to secure the function and performance of Sunnex lighting series.

Contact your local dealer if you are unsure how to handle replacements on Sunnex Solus 6.

SUNNEX SOLUS 6 – 6W LED



A Sunnex SOLUS 6 – Gooseneck arm

- » Arm length; 500 or 700 mm
- » 12-24V AC/DC - sub base
- » Service life, LED light source >30 000 hours
- » With or without swivel joint lamp head
- » Without joint IP65
- » Colour; Black

B Sunnex SOLUS 6 – Spot arm

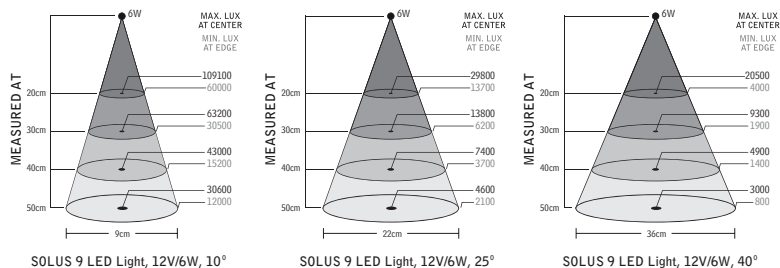
- » Service life, LED light source >30 000 hours
- » With Swivel Joint on lamp head
- » IP 20
- » Colour; Black or White

SUNNEX SOLUS 9 – 6W LED



>>> TECHNICAL DATA

Main voltage:	12-24V AC/DC
Nominal effect:	6W, 270Lm
Class:	III
IP-Class:	IP20 or IP65
Dimmer:	Standard
Beam angle:	10° standard (25° or 40° optional)
Available:	AC/DC-Adapter 230/12VDC-12VA



>>> MOUNTING INSTRUCTIONS

Mount the lamp on a horizontal surface with the four attached M4-screws. Hole pattern, see dimensional drawing on page 15.

Available for the Gooseneck arm and Spot arm are also Sunnex mounting accessories; Magnetic base, C-clamp, Wall bracket and Desktop base.

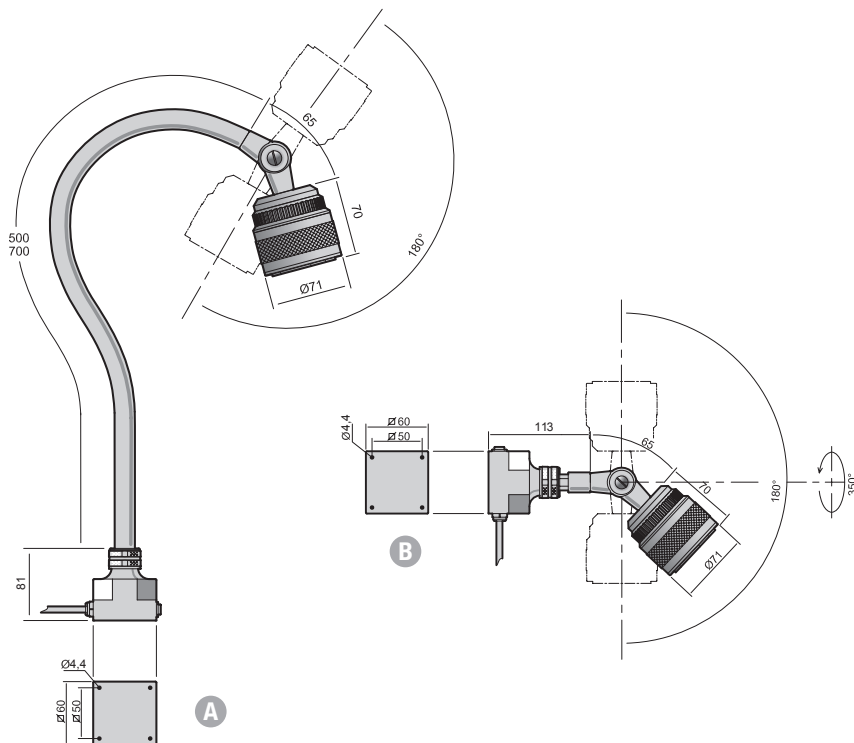
Plug in the AC/DC-Adapter to 230V main socket. On/off function is handled with dimmer switch in lamp head.

>>> NOTE

Use only Sunnex original parts to secure the function and performance of Sunnex lighting series.

Contact your local dealer if you are unsure how to handle replacements on Sunnex Solus 9.

SUNNEX SOLUS 9 – 6W LED



A Sunnex SOLUS 9 – Gooseneck arm

- » Arm length; 500 or 700 mm
- » Service life, LED light source > 50 000 hours
- » With knuckle joint on lamp head
- » IP 65
- » Colour; Black

B Sunnex SOLUS 9 – Spot arm

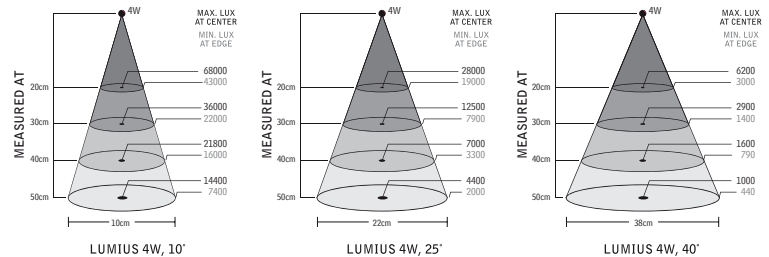
- » Service life, LED light source > 50 000 hours
- » With Swivel Joint on lamp head
- » IP 20
- » Colour; Black

SUNNEX LUMIUS – 4W LED



>>> TECHNICAL DATA

Main voltage:	230V AC/DC adapter or 12-24V DC
Nominal effect:	4W, 260Lm
Class:	II
IP-Class:	IP20 or IP65
Available:	AC/DC-Adapter 230/12VDC-12VA Power LED light source – 3,6W (3x1,2W)



>>> MOUNTING INSTRUCTIONS

Mount the lamp on a horizontal surface with the four attached M4-screws.
Hole pattern, see dimensional drawing on page 17.

Available for the Gooseneck arm and Spot arm are also Sunnex mounting accessories; Magnetic base, C-clamp, Wall bracket and Desktop base. Plug in the cordset to 230V main socket. On/off function is handled with switch in lampbase.

>>> CHANGE THE LED UNIT

Disconnect adapter from main socket. Unscrew the front part of lamphead. Loosen the two screws holding the circuit board. Gently loosen the connector and replace the broken LED unit. Do not touch the LED unit with bare hands! Screw front part back in place. **NOTE!** The LED unit for Sunnex Lumius have an average service life of >100 000 hours.

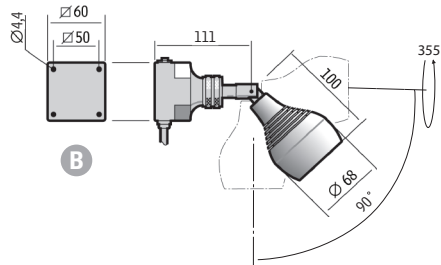
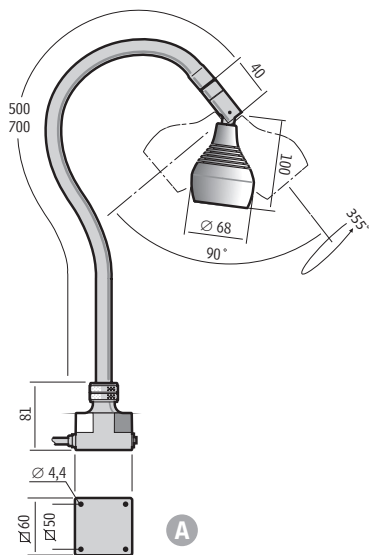
>>> NOTE

Use only Sunnex original parts to secure the function and performance of Sunnex lighting series.

The cordset in this product is a non-replaceable type. If the cordset is damaged, the transformer unit has to be replaced, and it should be done by the manufacturer or a person with sufficient electrical knowledge.

Contact your local dealer if you are unsure how to handle replacements on Sunnex Lumius.

SUNNEX LUMIUS – 4W LED



A Sunnex LUMIUS – Gooseneck arm

- » Arm length; 500 or 700 mm
- » 230V – separate AC/DC adaptor
- » 12-24V DC – sub base
- » Service life, LED unit >75 000 hours
- » With or without swivel joint lamp head
- » IP-Class; IP20 or IP65
- » Colour; Black
- » Dimmable version available

B Sunnex LUMIUS – Spot arm

- » 230V – separate AC/DC adaptor
- » 12-24V DC – sub base
- » Service life, LED unit >75 000 hours
- » IP-Class; IP20
- » Colour; Black



>>> TECHNICAL DATA

Main voltage:	12/24V AC/DC
Nominal effect:	3W, 165Lm
Class:	II
IP-Class:	IP20
Available:	AC/DC-Adapter 230/12VDC-12VA Power LED light source – 3W/GU 5.3

>>> MOUNTING INSTRUCTIONS

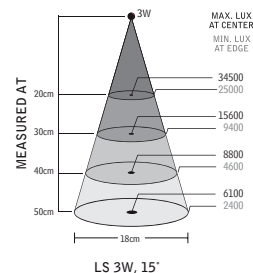
Mount the lamp on a horizontal surface with the four attached M4-screws. Hole pattern, see dimensional drawing on page 19.

Available for the Gooseneck arm and Spot arm are also Sunnex mounting accessories; Magnetic base, C-clamp, Wall bracket and Desktop base.

Plug in the adapter to 230V main socket. On/off function is handled with switch in lampbase.

>>> CHANGE THE LED LIGHT SOURCE

Disconnect adapter from main socket. Unscrew the front part of lamphead, pull out the broken light source and replace with a new. Screw front part back in place. NOTE! The LED light source for Sunnex LS have an average service life of >25 000 hours.



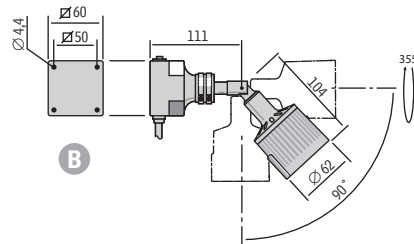
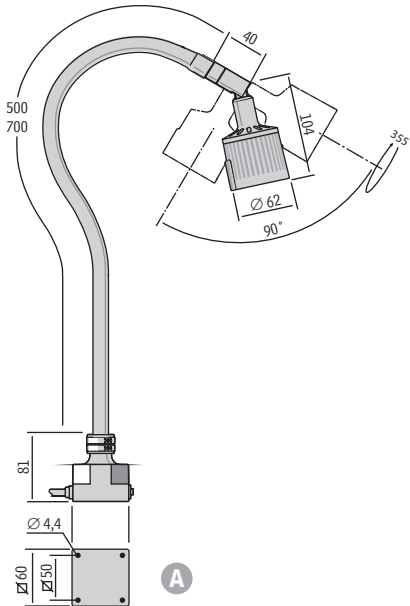
>>> NOTE

Use only Sunnex original parts to secure the function and performance of Sunnex lighting series.

The cordset in this product is a non-replaceable type. If the cordset is damaged, the transformer unit has to be replaced, and it should be done by the manufacturer or a person with sufficient electrical knowledge.

Contact your local dealer if you are unsure how to handle replacements on Sunnex LS.

SUNNEX LS – 3W LED



A Sunnex LS – Gooseneck arm

- » Arm length; 500 or 700 mm
- » 230/12V – plug-in adapter
- » 12-24V – sub base
- » Service life, LED light source >25 000 hours
- » With or without swivel joint lamp head
- » IP-Class; IP20
- » Colour; Black or White RAL 9002

B Sunnex LS – Spot arm

- » 230/12V – plug-in adapter
- » 12-24V – sub base
- » Service life, LED light source >25 000 hours
- » IP-Class; IP20
- » Colour; Black or White RAL 9002

SUNNEX LT – 2W LED



>>> TECHNICAL DATA

Main voltage:	230V/AC/50Hz or 12V DC
Nominal effect:	2W, 85Lm
Class:	III
IP-Class:	IP20
Available:	AC/DC-Adapter 230/12VDC-12VA Power LED light source - 2W/GU 5.3

>>> MOUNTING INSTRUCTIONS

Mount the lamp on a horizontal surface with the four attached M4-screws.

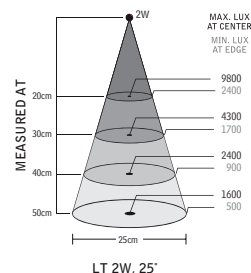
Hole pattern, see dimensional drawing on page 21.

Available for the Gooseneck arm and Spot arm are also Sunnex mounting accessories; Magnetic base, C-clamp, Wall bracket and Desktop base.

Plug in the adapter to 230V main socket. On/off function is handled with switch in lampbase.

>>> CHANGE THE HALOGEN BULB

Disconnect adapter from main socket. Gently dismantle the front part of lamphead, pull out the broken light source and replace with a new unit. Push front part back on to lamp head until it snaps in place. NOTE! The LED light source for Sunnex LT have an average service life of >50.000 hours.

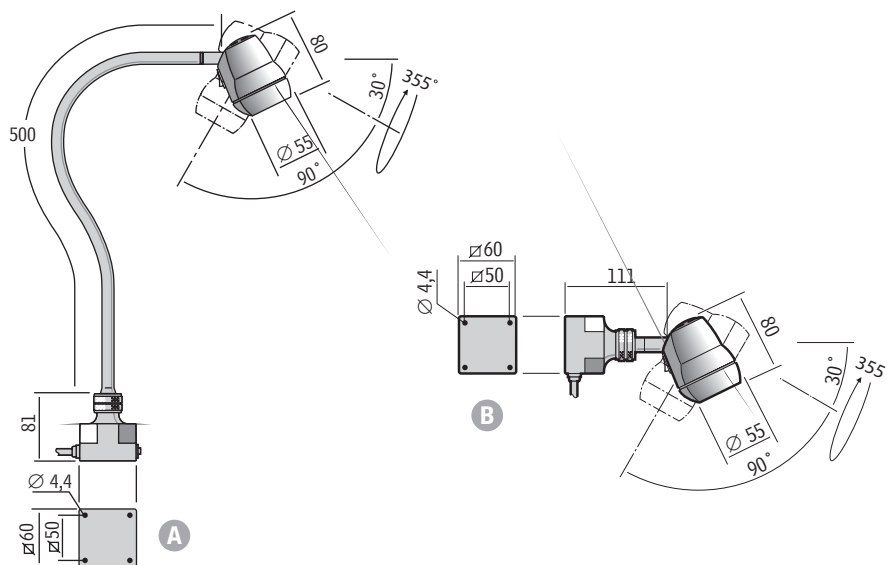


>>> NOTE

Use only Sunnex original parts to secure the function and performance of Sunnex lighting series.

Contact your local dealer if you are unsure how to handle replacements on Sunnex LT.

SUNNEX LT – 2W LED



A Sunnex LT – Gooseneck arm

- »» Arm length; 500 mm
- »» 230/12V – plug-in adapter
- »» 12V – sub base
- »» Service life, LED light source > 25.000 hours
- »» With swivel joint lamp head
- »» IP-Class; IP20
- »» Colour; Black or White RAL 9002

B Sunnex LT – Spot arm

- »» 230/12V – plug-in adapter
- »» 12V – sub base
- »» Service life, LED light source > 25.000 hours
- »» Single swivel joint in lamp head
- »» IP-Class; IP20
- »» Colour; Black or White RAL 9002

SUNNEX HT – 10W HALOGEN



>>> TECHNICAL DATA

Main voltage: **230V/AC/50Hz or 12/24V AC/DC**
Nominal effect: **10W, 110Lm**
Class: **III**
IP-Class: **IP20**
Equipped with: **Magnetic plug-in transformer 230V/12V/20W
Halogen bulb – 10W/G4**

>>> MOUNTING INSTRUCTIONS

Mount the lamp on a horizontal surface with the four attached M4-screws.
Hole pattern, see dimensional drawing on page 23.

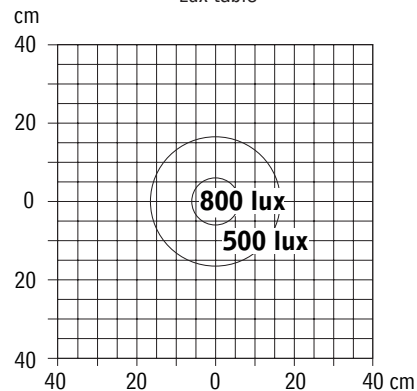
Available for the Gooseneck arm and Spot arm are also Sunnex mounting accessories; Magnetic base, C-clamp, Wall bracket and Desktop base.

Plug in the transformer to 230V main socket. On/off function is handled with switch in lampbase.

>>> CHANGE THE HALOGEN BULB

Disconnect transformer from main socket. Allow the bulb to cool down for a few minutes. Gently dismantle the front part of lamphead, pull out the broken bulb and replace with a new bulb. Do not touch the bulb with bare hands!
Push front part back on to lamp until it snaps in place.

Lux table



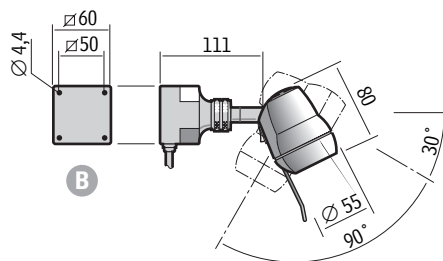
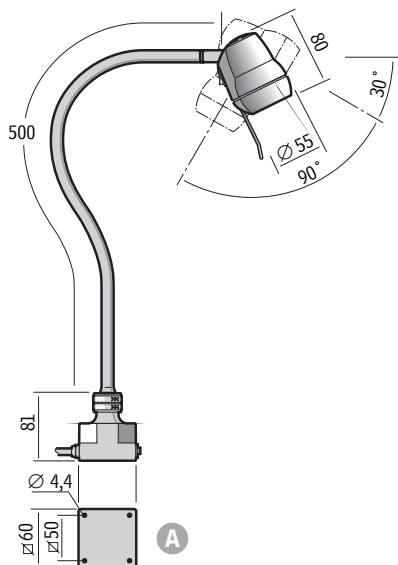
>>> NOTE

Use only Sunnex original parts to secure the function and performance of Sunnex lighting series.

If the lens is broken, it must be replaced by a new lens.

Contact your local dealer if you are unsure how to handle replacements on Sunnex HT.

SUNNEX HT – 10W HALOGEN



A Sunnex HT – Gooseneck arm

- »» Arm length; 500 mm
- »» 230/12V – plug-in transformer
- »» 12 or 24V – sub base
- »» With swivel joint lamp head
- »» With or without dimmer
(with dimmer - low voltage models only)
- »» IP-Class; IP20
- »» Colour; Black or White RAL 9002
- »» Dichroic reflector lamp as an option

B Sunnex HT – Spot arm

- »» 230/12V – plug-in transformer
- »» 12 or 24V – sub base
- »» Single swivel joint in lamp head
- »» With or without dimmer
(with dimmer - low voltage models only)
- »» IP-Class; IP20
- »» Colour; Black or White RAL 9002
- »» Dichroic reflector lamp as an option

SUNNEX HS – 20W HALOGEN



>>> TECHNICAL DATA

Main voltage: **230V/AC/50Hz or 12/24V AC/DC**
Nominal effect: **20W, 300Lm**
Class: **II**
IP-Class: **IP20 or IP65**
Equipped with: **Magnetic built-in transformer 230V/12V/20W
Halogen bulb – 20W/G4**

>>> MOUNTING INSTRUCTIONS

Mount the lamp on a horizontal surface with the four attached M4-screws.
Hole pattern, see dimensional drawing on page 25.

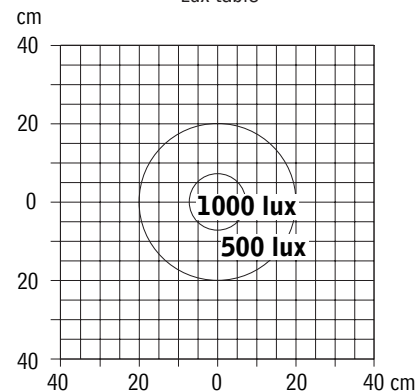
Available for the Gooseneck arm and Spot arm are also Sunnex mounting accessories; Magnetic base, C-clamp, Wall bracket and Desktop base.

Plug in the cordset to 230V main socket. On/off function is handled with switch in lampbase.

>>> CHANGE THE HALOGEN BULB

Disconnect cordset from main socket. Allow the bulb to cool down for a few minutes. Unscrew the front part of lamphead, pull out the broken bulb and replace with a new bulb. Do not touch the bulb with bare hands!
Screw front part back in place.

Lux table



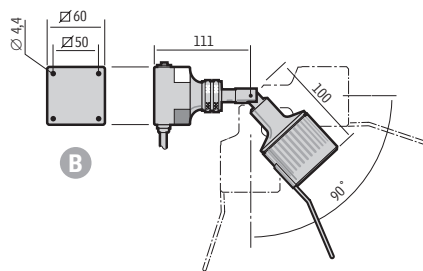
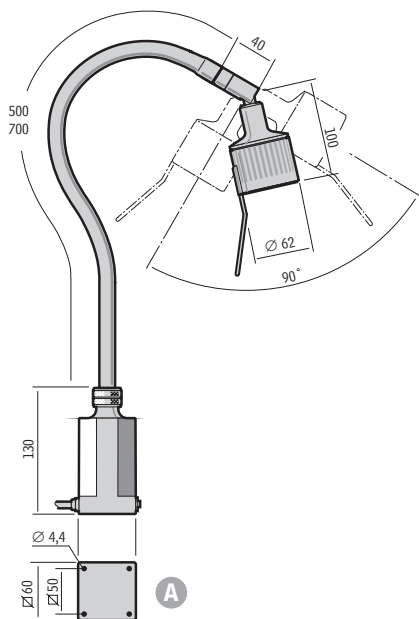
>>> NOTE

Use only Sunnex original parts to secure the function and performance of Sunnex lighting series.

If the lens is broken, it must be replaced by a new lens. The cordset in this product is a non-replaceable type. If the cordset is damaged, the transformer unit has to be replaced, and it should be done by the manufacturer or a person with sufficient electrical knowledge.

Contact your local dealer if you are unsure how to handle replacements on Sunnex HS.

SUNNEX HS – 20W HALOGEN



A Sunnex HS – Gooseneck arm

- » Arm length; 500 or 700 mm
- » 230/12V – integrated transformer base
- » 12 or 24V – sub base
- » With or without swivel joint lamp head
- » With or without dimmer
(with dimmer - low voltage models only)
- » IP-Class; IP20 or IP65
(IP65 - low voltage models only)
- » Colour; Black or White RAL 9002

B Sunnex HS – Spot arm

- » 230/12V – integrated transformer base
- » 12 or 24V – sub base
- » Single or double swivel joint lamp head
- » With or without dimmer
(with dimmer - low voltage models only)
- » IP-Class; IP20 or IP65
(IP65 - low voltage models only)
- » Colour; Black or White RAL 9002

SUNNEX HM – 35W HALOGEN



>>> TECHNICAL DATA

Main voltage: **230V/AC/50Hz or 12/24V AC/DC**
Nominal effect: **35W, 600Lm**
Class: **II**
IP-Class: **IP20 or IP65**
Equipped with: **Electronic built-in transformer 230V/12V/35W
Halogen bulb – 35W/GY6.35**

>>> MOUNTING INSTRUCTIONS

Mount the lamp on a horizontal surface with the four attached M4-screws.
Hole pattern, see dimensional drawing on page 27.

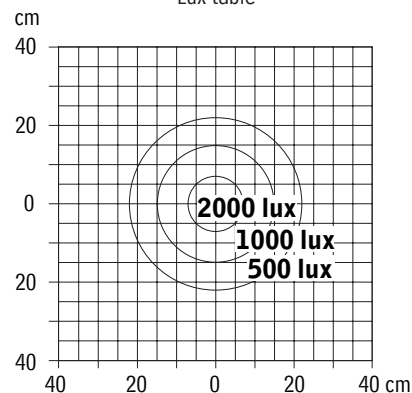
Available for the Gooseneck arm and Spot arm are also Sunnex mounting accessories; Magnetic base, C-clamp, Wall bracket and Desktop base.

Plug in the cordset to 230V main socket. On/off function is handled with switch in lampbase.

>>> CHANGE THE HALOGEN BULB

Disconnect cordset from main socket. Allow the bulb to cool down for a few minutes. Unscrew the screws holding the front part of lamphead, pull out the broken bulb and replace with a new bulb. Do not touch the bulb with bare hands! Screw front part back in place.

Lux table



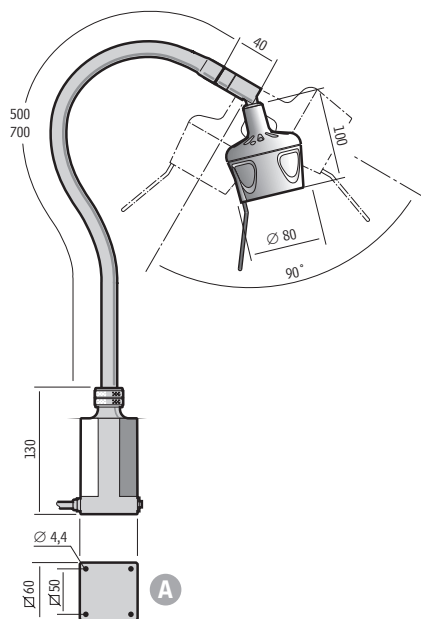
>>> NOTE

Use only Sunnex original parts to secure the function and performance of Sunnex lighting series.

If the lens is broken, it must be replaced by a new lens. The cordset in this product is a non-replaceable type. If the cordset is damaged, the transformer unit has to be replaced, and it should be done by the manufacturer or a person with sufficient electrical knowledge.

Contact your local dealer if you are unsure how to handle replacements on Sunnex HM.

SUNNEX HM – 35W HALOGEN



A Sunnex HM – Gooseneck arm

- » Arm length; 500 or 700 mm
- » 230/12V – electronic built-in transformer
- » 12 or 24V – sub base
- » With or without swivel joint lamp head
- » With or without dimmer
(with dimmer - 24V models only)
- » IP-Class; IP20 or IP65
(IP65 - low voltage models only)
- » Colour; Black or White RAL 9002

SUNNEX HF – 50/75W HALOGEN



>>> TECHNICAL DATA

Main voltage: **230V/AC/50Hz or 12/24V AC/DC**
Nominal effect: **50 or 75W, 900 / 1450Lm**
Class: **II**
IP-Class: **IP20 or IP65**
Equipped with: **Electronic built-in transformer 230V/12V/50W
Halogen bulb – 50W/GY6.35 or 75W/GY6.35**

>>> MOUNTING INSTRUCTIONS

Mount the lamp on a horizontal surface with the four attached M4-screws.
Hole pattern, see dimensional drawing on page 29.

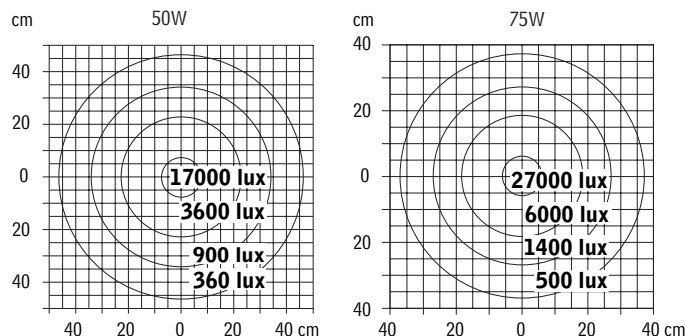
Available for the Gooseneck arm and Spot arm are also Sunnex mounting accessories; Magnetic base, C-clamp, Wall bracket and Desktop base.

Plug in the cordset to 230V main socket. On/off function is handled with switch in lampbase.

>>> CHANGE THE HALOGEN BULB

Disconnect cordset from main socket. Allow the bulb to cool down for a few minutes. Unscrew the front part of lamphead, pull out the broken bulb and replace with a new bulb. Do not touch the bulb with bare hands!
Screw front part back in place.

Lux table



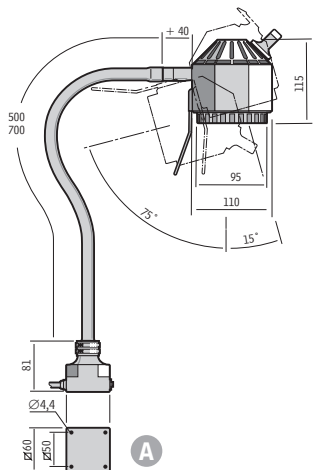
>>> NOTE

Use only Sunnex original parts to secure the function and performance of Sunnex lighting series.

If the lens is broken, it must be replaced by a new lens. The cordset in this product is a non-replaceable type. If the cordset is damaged, the transformer unit has to be replaced, and it should be done by the manufacturer or a person with sufficient electrical knowledge.

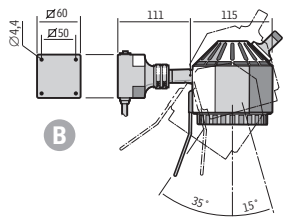
Contact your local dealer if you are unsure how to handle replacements on Sunnex HF.

SUNNEX HF – 50/75W HALOGEN



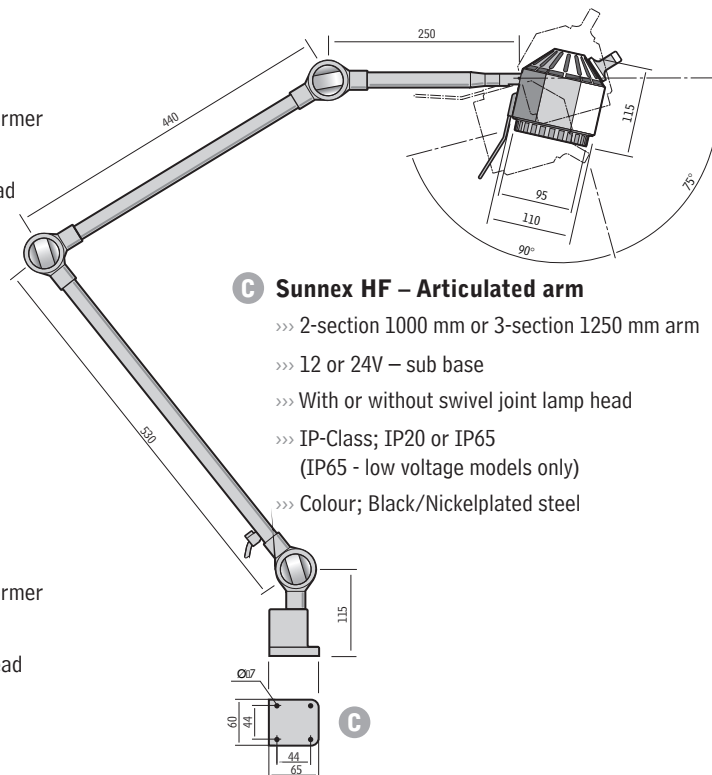
A Sunnex HF – Gooseneck arm

- »» Arm length; 500 or 700 mm
- »» 230/12V – electronic built-in transformer
- »» 12 or 24V – sub base
- »» With or without swivel joint lamp head
- »» IP-Class; IP20 or IP65
(IP65 - low voltage models only)
- »» Colour; Black or White RAL 9002



B Sunnex HF – Spot arm

- »» 230/12V – electronic built-in transformer
- »» 12 or 24V – sub base
- »» Single or double swivel joint lamp head
- »» IP-Class; IP20 or IP65
(IP65 - low voltage models only)
- »» Colour; Black or White RAL 9002



C Sunnex HF – Articulated arm

- »» 2-section 1000 mm or 3-section 1250 mm arm
- »» 12 or 24V – sub base
- »» With or without swivel joint lamp head
- »» IP-Class; IP20 or IP65
(IP65 - low voltage models only)
- »» Colour; Black/Nickelplated steel

SUNNEX CL – 9/11W FLUORESCENT TUBE



>>> TECHNICAL DATA

Main voltage: **230V/50Hz**
Nominal effect: **9 or 11W, 600 / 900Lm**
Class: **II**
IP-Class: **IP20**
Equipped with: **Built-in ballast, 230V
Compact fluorescent tube, 9 or 11W - G23**

>>> MOUNTING INSTRUCTIONS

Mount the lamp on a horizontal surface with the four attached M4-screws.
Hole pattern, see dimensional drawing on page 31.

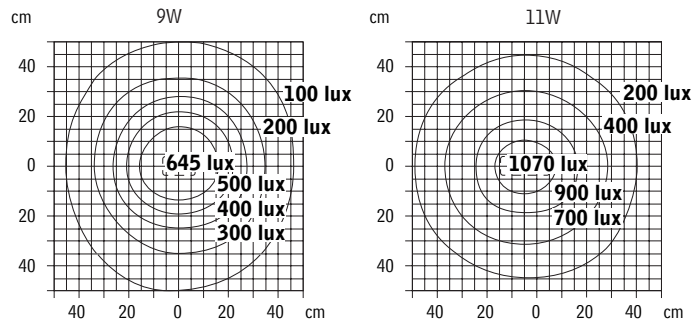
Available for the Gooseneck arm and Spot arm are also Sunnex mounting accessories; Magnetic base, C-clamp, Wall bracket and Desktop base.

Plug in the cordset to 230V main socket. On/off function is handled with switch in lampbase.

>>> CHANGE THE FLUORESCENT TUBE

Disconnect cordset from main socket. Unscrew the gable part of lamphead, pull out the broken tube and replace with a new tube. Screw the gable part back in place.

Lux tables



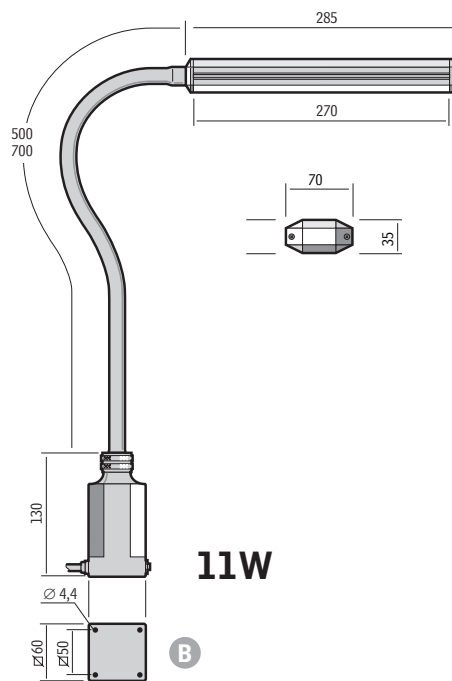
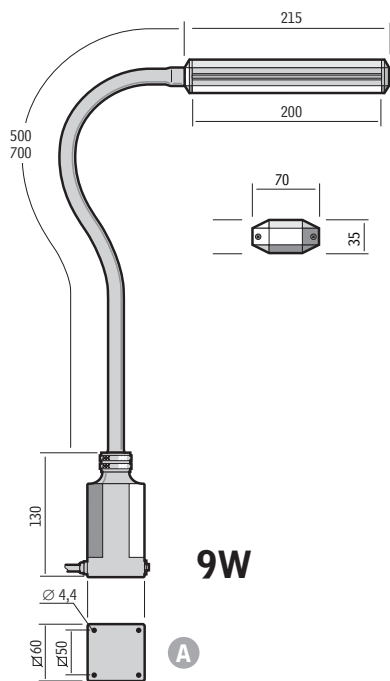
>>> NOTE

Use only Sunnex original parts to secure the function and performance of Sunnex lighting series.

If the lens is broken, it must be replaced by a new lens. The cordset in this product is a non-replaceable type. If the cordset is damaged, the transformer unit has to be replaced, and it should be done by the manufacturer or a person with sufficient electrical knowledge.

Contact your local dealer if you are unsure how to handle replacements on Sunnex CL-Series.

SUNNEX CL – 9/11W FLUORESCENT TUBE



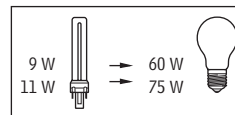
A Sunnex CL – Gooseneck arm

- » Fluorescent tube - Dulux S 9W
- » Arm length; 500 or 700 mm
- » 230V – built-in ballast
- » IP-Class; IP20
- » Colour; Black or White RAL 9002

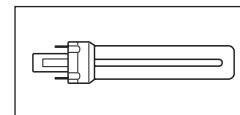
B Sunnex CL – Gooseneck arm

- » Fluorescent tube - Dulux S 11W
- » Arm length; 500 or 700 mm
- » 230V – built-in ballast
- » IP-Class; IP20
- » Colour; Black or White RAL 9002

Wattage - Comparison



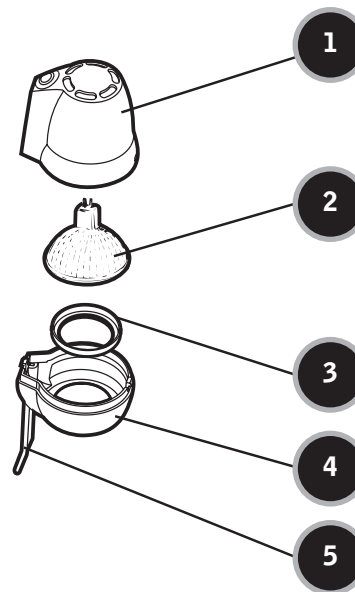
Fluorescent tube - Dulux S



SUNNEX HT – REPLACEMENT PARTS



Component	Part No.
1. Lamp head	18245
2. Halogen light bulb 12V/10W/36°	18828
3. Support ring	18281
4. Lamp shade	18057
5. Distance arc	18010

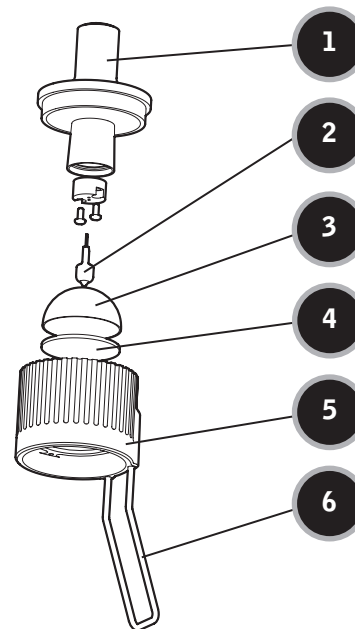


SUNNEX HS – REPLACEMENT PARTS



Component	Part No.
------------------	-----------------

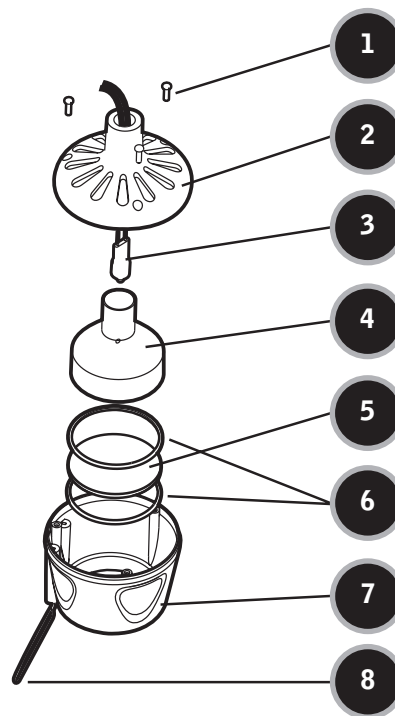
1. Lamp head with insert	15203
2. Halogen light bulb 12V/20W	15140
Halogen light bulb 24V/20W	15141
3. Reflector, spot	15128
Reflector, flood	15123
4. Lens, clear	15402
5. Lamp shade	15117
6. Distance arc	18008



SUNNEX HM – REPLACEMENT PARTS



Component	Part No.
1. Screw, 3 pcs	15860
2. Lamp head	18015
3. Halogen light bulb 12V/35W Halogen light bulb 24V/35W	13830 13837
4. Reflector	18003
5. Sealant rings	18014
6. Lens, frosted	18005
7. Lamp shade	18017
8. Distance arc	18008

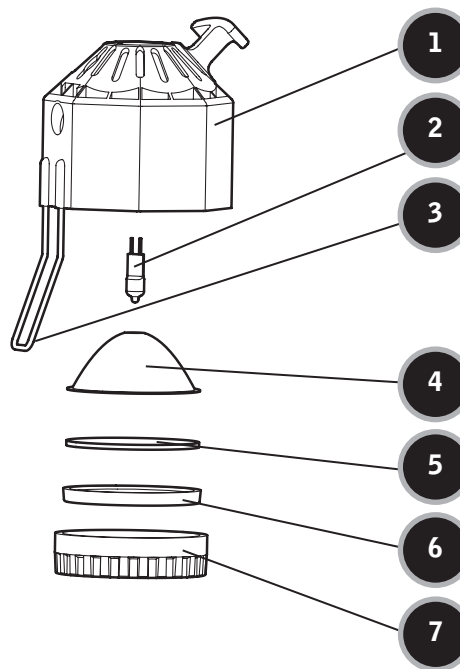


SUNNEX HF – REPLACEMENT PARTS



Component	Part No.
------------------	-----------------

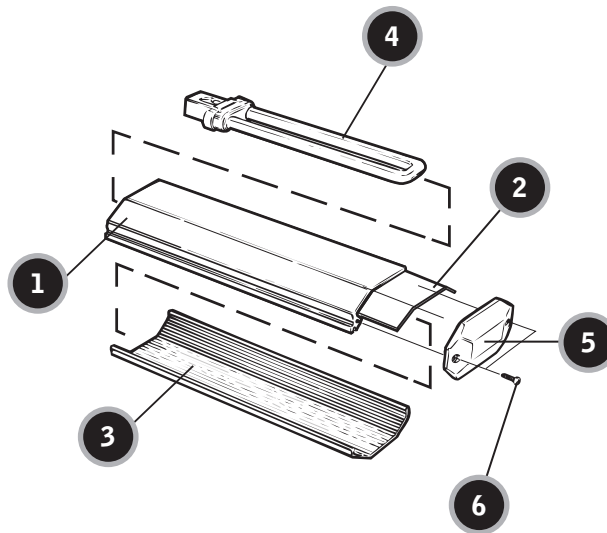
1. Lamp head	13800
2. Halogen light bulb 12V/50W	13831
Halogen light bulb 12V/75W	13832
Halogen light bulb 24V/50W	13834
Halogen light bulb 24V/75W	13835
3. Distance arc	18008
4. Reflector, flood	13821
5. Lens, clear	13825
6. Sealant ring	13816
7. Lamp shade	13810



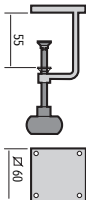
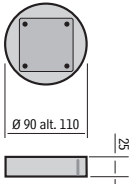
SUNNEX CL – REPLACEMENT PARTS



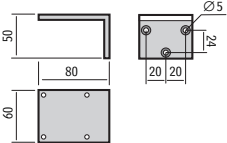
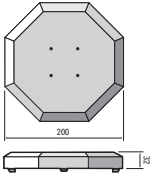
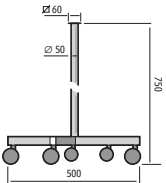
Component	Part No.
1. Lamp head, 9W Lamp head, 11W	15810 15820
2. Reflector, 9W Reflector, 11W	15815 15816
3. Lens, 9W Lens, 11W	15861 15862
4. Fluorescent tube, 9W Fluorescent tube, 11W	15881 15882
5. Gable	15840
6. Screw, 2 pcs	15860



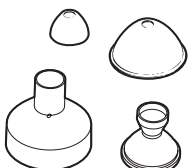



ACCESSORY	Fits model	Info	Part No.
Screw clamp 	All with std. base AAS M4 x 20 (4x)	Max. grip 42 mm Max. grip 55 mm	14020 18021
Magnetic base 	HT/HS/HM/LT/LS/Lumius/Pluto/Tellus HF/CL/Solus 6/Solus 9 M4 x 20 (4x)	Ø 90 mm Ø 110 mm	14000 12010


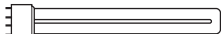


ACCESSORY	Fits model	Info	Part No.
Wall mount 	All with std. base M4 x 20 (4x)	L-bracket 50 x 80 mm	14030
Desktop base 	All with std. base Suitable screws (4,0 x 25) included	\varnothing 200 mm	14015
Trolley base 	All with std. base M4 x 20 (4x)	Height 750 mm	14024


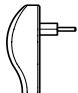
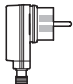
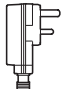
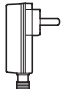


ACCESSORY	Fits model	Info	Part No.
Reflector - Standard 	HS	Spot (standard)	15128
	HS	Superspot	15127
	HS	Flood	15123
	HM	Spot	18003
	HF	Flood (standard)	13821
Reflector - Dichroic lamp 	HT	12V/10W - 36° light cone	18828
	HS	12V/20W - 10° light cone	15124
	HS	12V/20W - 36° light cone	15126
	HM/HF	12V/35W - 38° light cone	13071
	HF	12V/50W - 38° light cone	13072
	HF	12V/75W - 38° light cone	13073

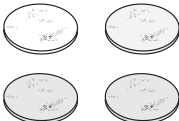


ACCESSORY		Fits model	Info	Part No.
Halogen bulb		HT/HS	24V/10W	15144
		HT/HS	24V/20W	15141
		HS	12V/5W	15142
		HS	12V/10W	15145
		HS	12V/20W	15140
		HM/HF	12V/35W	13830
		HM/HF	24V/35W	13837
		HF	12V/50W	13831
		HF	12V/75W	13832
		HF	24V/50W	13834
HF	24V/75W	13835		
Fluorescent tube		CL	9W/21 – Cool White Dulux S	15881
		CL	11W/21 – Cool White Dulux S	15882



ACCESSORY	Fits model	Info	Part No.
Transformer 	HT/HS/HM/HF	230V/12V - Max. 75W, IP44	12030
	HT/HS/HM/HF	230V/24V - Max. 75W, IP44	12035
Transformer - plug-in 	HT/HS	230V/12V - Max 20W	14051
	HM/HF	230V/12V - Max 50W	12045
AC/DC-Adapter   	Pluto/Tellus/Solus6/Solus9/Lumius/LS/LT (Euro)	230V/12VDC Max 12VA, IP44	33901
	Pluto/Tellus/Solus6/Solus9/Lumius/LS/LT (UK)	240V/12VDC Max 12VA, IP44	33902
	Pluto/Tellus/Solus6/Solus9/Lumius/LS/LT (US)	100V/12VDC Max 12VA, IP44	33906



ACCESSORY	Fits model	Info	Part No.
Lens/Glass 	HT	Frosted (standard)	18009
	HT	Clear	18007
	HS	Clear (standard)	15402
	HS	Frosted	15112
	HS	Red	15114
	HM	Clear (standard)	18004
	HM	Frosted	18005
	HF	Clear (standard)	13825
HF	Frosted	13826	



Sunnex Equipment AB

PO Box 2084, 650 02 Karlstad, Sweden / Körkarlsvägen 4, 653 46 Karlstad, Sweden
Tel.: +46 54 555 160 Fax: +46 54 555 169 Email: info@sunnex.se Internet: www.sunnex.se

Sunnex Equipement Sarl

775, Rue André AMPERE, Z.I. Les Milles – B.P.70154, F-13795 Aix-en-Provence, Cedex 3, France
Tel.: +33 442 39 78 96 Fax: +33 442 39 78 77 Email: info@sunnex.fr Internet: www.sunnex.fr

Sunnex Inc.

8001 Tower Drive, Charlotte, NC 28227, USA
Tel.: +1 508-651-0009 Fax: +1 508-651-0099 Email: sales@sunnex.com Internet: www.sunnexonline.com